

ERM8-S SERIES

(0.80 mm) .0315"

RUGGED HIGH-SPEED SHIELDED HEADER

SPECIFICATIONS

For complete specifications and recommended PCB layouts see www.samtec.com?ERM8

Insulator Material:
Black LCP

Terminal Material:
Phosphor Bronze

Plating:

Au or Sn over
50 μ" (1.27 μm) Ni

Current Rating:
2.2 A per pin
(2 pins powered)

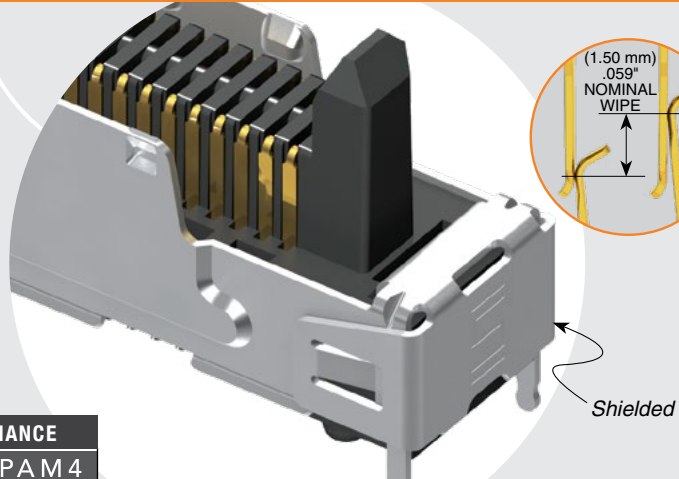
Operating Temp Range:
-55 °C to +125 °C

Voltage Rating:
225 VAC / 318 VDC

RoHS Compliant:
Yes

Board Mates:

See "Mated Height" Chart
(Note: ERF8-S does not mate with ERM8-EGPS)



PROCESSING

Lead-Free Solderable:
Yes

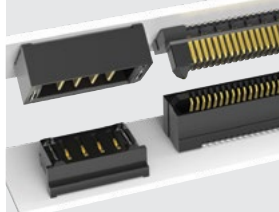
SMT Lead Coplanarity:
(0.10 mm) .004" max (010-030)

RECOGNITIONS

For complete scope of recognitions see www.samtec.com/quality



POWER/SIGNAL APPLICATION



Compatible with UMPT/UMPS for flexible two-piece power/signal solutions

HIGH-SPEED CHANNEL PERFORMANCE

ERM8/ERF8 @ 7 mm
Mated Stack Height

Rating based on Samtec reference channel.

For full SI performance data visit Samtec.com or contact SIG@samtec.com

PAM 4

56
Gbps

MATED HEIGHT

7 mm	9 mm	12 mm	16 mm
ERM8-02.0-S to ERF8-05.0-S	ERM8-02.0-S to ERF8-07.0-EGPS	ERM8-05.0-EGPS to ERF8-07.0-EGPS	ERM8-09.0-EGPS to ERF8-07.0-EGPS

ERM8 POSITIONS PER ROW LEAD STYLE PLATING OPTION DV OTHER OPTION TR

-010, -020,
-025, -030

-02.0
= 2 mm
(-S only)

-05.0
= 5 mm
(-EGPS & -DSS only)

-09.0
= 9 mm
(-EGPS & -DSS only)

-L
= 10 μ" (0.25 μm)
Gold on contact,
Matte Tin on tail

-S
= 30 μ" (0.76 μm)
Gold on contact,
Matte Tin on tail

-S
= Shield
(-02.0 style only)

-EGPS
= Extended Guide Post Shield
(-05.0 & -09.0 lead style only)
(-10 & -025 positions only)

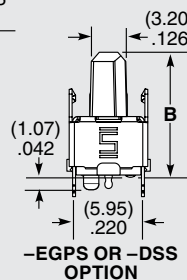
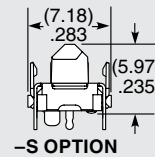
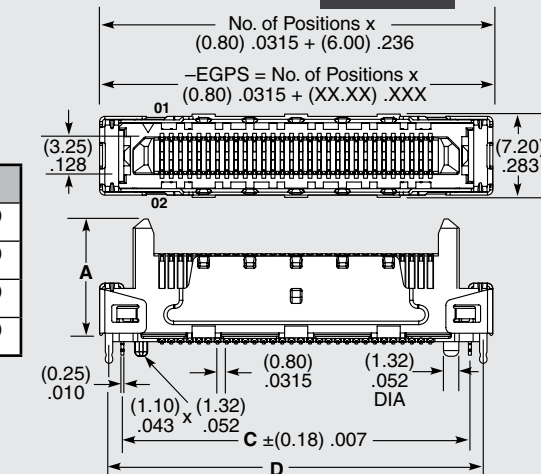
-DSS
= Differential Pair with Extended Guide Post Shield
-05.0 & -09.0 lead style only
(-10 & -025 positions only)

-K
= (4.00 mm) .157" DIA Polyimide Film Pick & Place Pad
(Not available in -02.0 lead style)

-P
= Pick & Place Pad
(-02.0 & -05.0 lead style only)

-TR
= Tape & Reel Packaging

LEAD STYLE	A	B
-05.0	(9.87) .389	(10.81) .425
-09.0	(13.87) .546	(14.81) .583



NO. OF POSITIONS	C	D
-10.0	(14.00) .551	(16.36) .644
-20.0	(22.00) .866	(24.36) .959
-25.0	(26.00) 1.024	(28.36) 1.117
-30.0	(30.00) 1.181	(32.36) 1.274

Notes:
Patented

Some lengths, styles and options are non-standard, non-returnable.

Due to technical progress, all designs, specifications and components are subject to change without notice.

WWW.SAMTEC.COM

All parts within this catalog are built to Samtec's specifications. Customer specific requirements must be approved by Samtec and identified in a Samtec customer-specific drawing to apply.