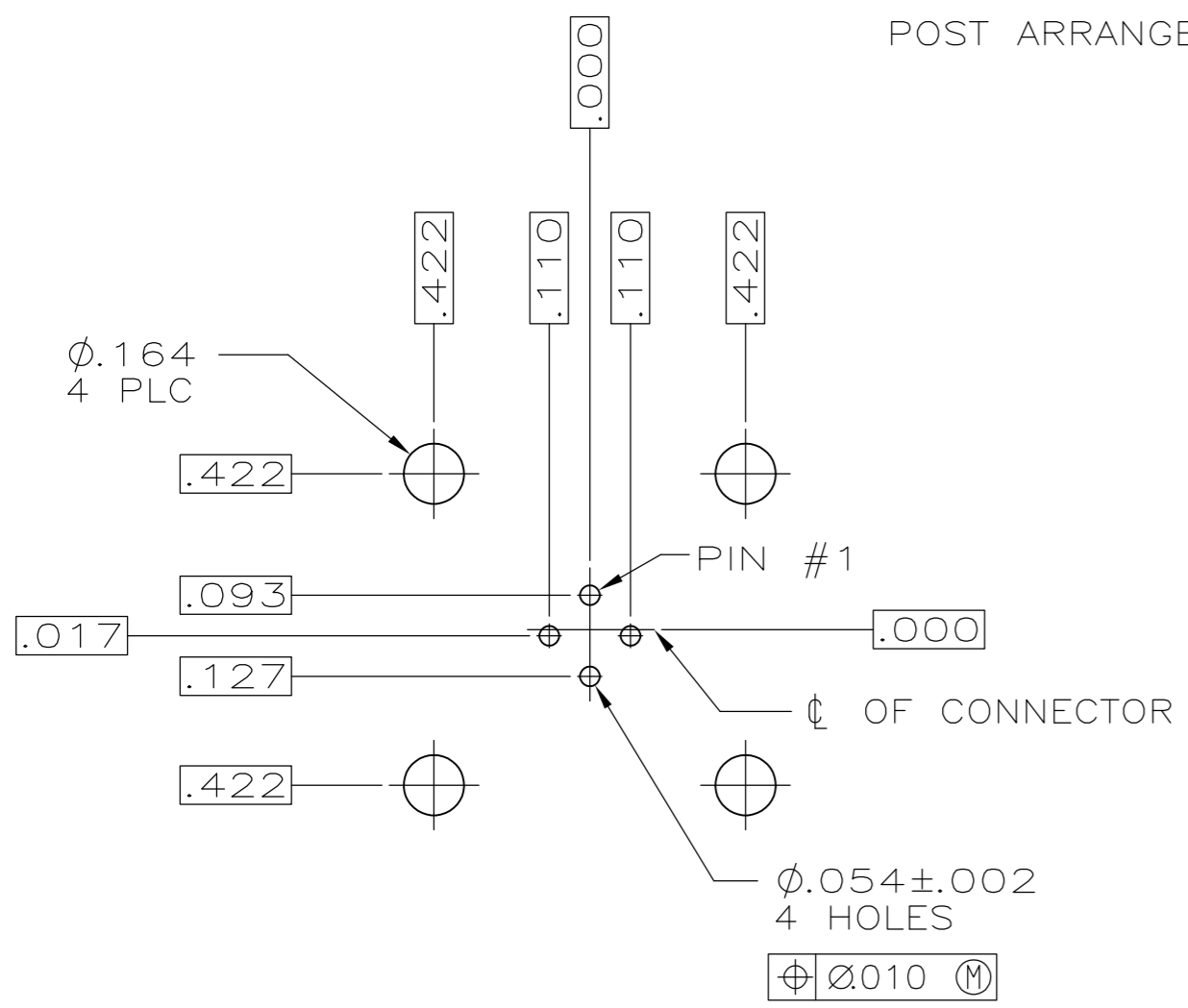
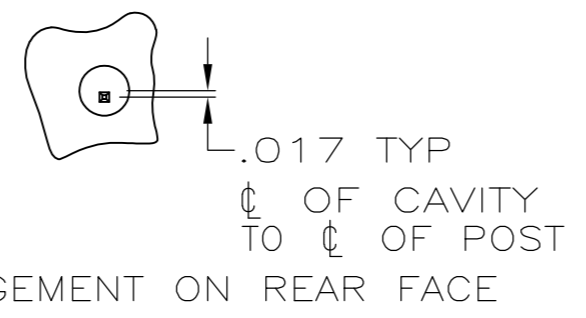
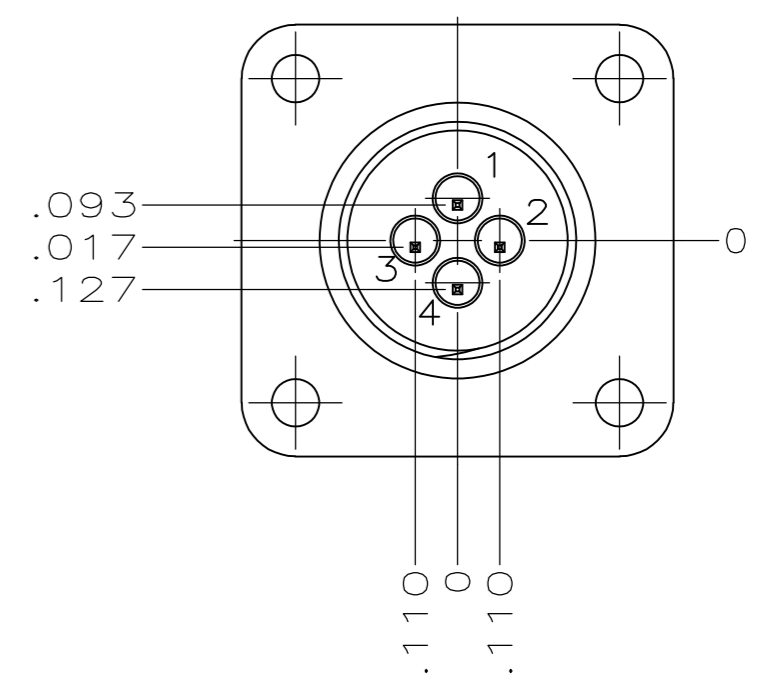
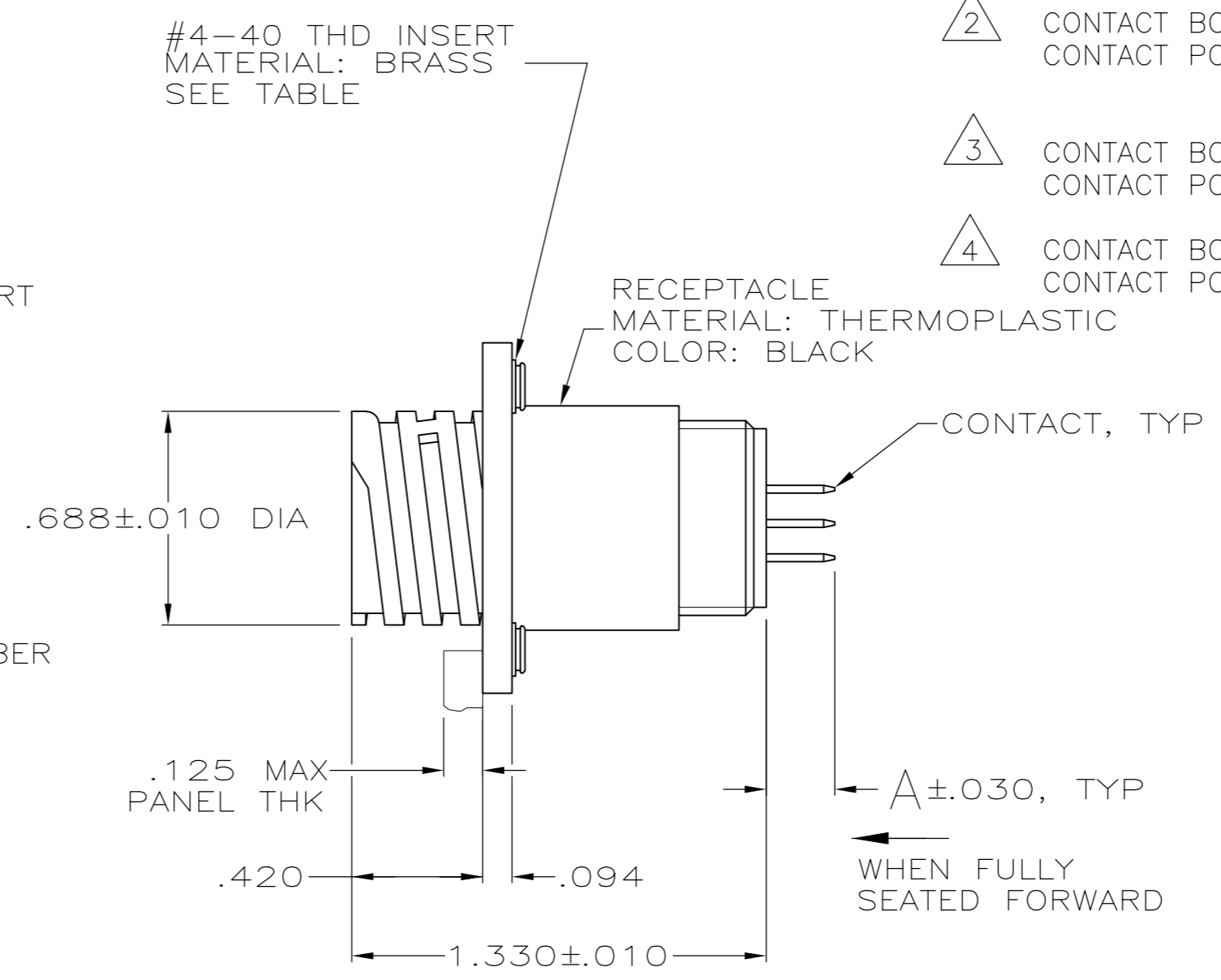
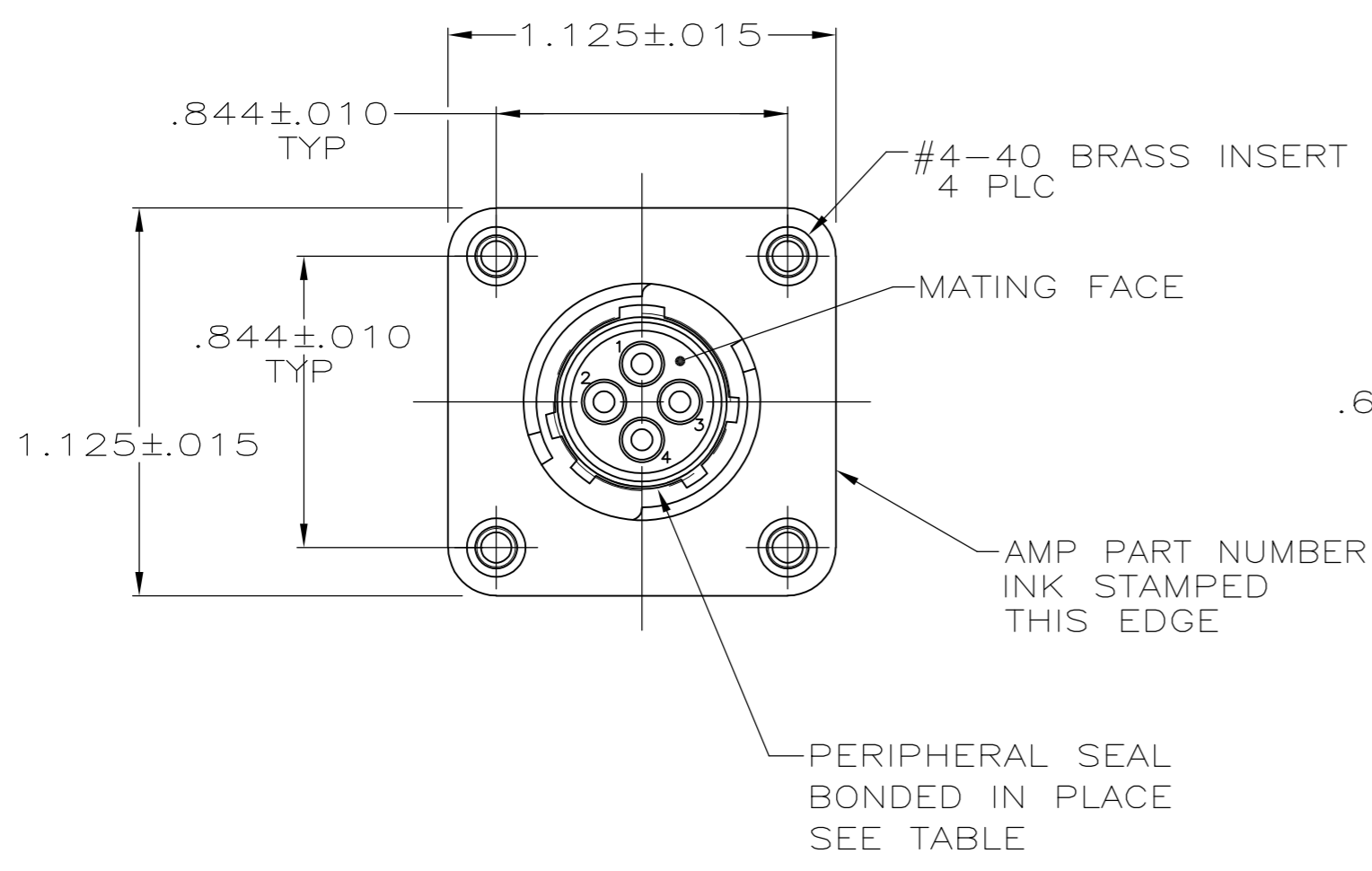


THIS DRAWING IS UNPUBLISHED. RELEASED FOR PUBLICATION
 © COPYRIGHT - By - ALL RIGHTS RESERVED.

LOC		DIST		REVISIONS			
P	LTR	DESCRIPTION		DATE	DWN	APVD	
FT	0	R3	REVISED PER ECO-11-004917	11MAR11	RK	HMR	

- 1 RECEPTACLE IS LOADED WITH 4 TYPE III+ POSTED PIN CONTACTS.
- 2 CONTACT BODY: GOLD PER MIL-G-45204 OVER NICKEL PER QQ-N-290. CONTACT POST: TIN-LEAD PER MIL-T-10727 OVER COPPER PER MIL-C-14550A.
- 3 CONTACT BODY: GOLD PER MIL-G-45204 OVER NICKEL PER QQ-N-290. CONTACT POST: TIN OVER COPPER PER MIL-C-14550A.
- 4 CONTACT BODY: TIN OVER NICKEL PER MIL-C-14550A. CONTACT POST: TIN OVER NICKEL PER MIL-C-14550A.



CONTACT FINISH	PERIPHERAL SEAL	THREADED INSERTS	PART NUMBER
3	NO	NO	1-207825-5
4	YES	YES	1-207825-4
3	NO	NO	1-207825-2
4	NO	YES	1-207825-1
3	YES	YES	1-207825-0
3	NO	YES	207825-9
2	YES	NO	207825-8
2	YES	YES	207825-7
2	NO	NO	207825-6
2	NO	NO	207825-5
2	NO	YES	207825-4
2	YES	YES	207825-3
2	NO	YES	207825-2
2	NO	YES	207825-1

RECOMMENDED P.C. BOARD LAYOUT

THIS DRAWING IS A CONTROLLED DOCUMENT.

DWN: R.LEE BG 7-1-91
 CHK: W.G.LENKER 4-14-92
 APVD: -
 PRODUCT SPEC: 108-10024
 APPLICATION SPEC: -

MATERIAL: -
 FINISH: -
 CONTACT: 2

SCALE: 2:1
 SHEET: 1 of 1
 REV: R3

TE Connectivity
 RECEPTACLE ASSEMBLY, POSTED, STD SEX, SERIES 1, 11-4, CPC

SIZE: A2
 CAGE CODE: 00779
 DRAWING NO: C-207825
 RESTRICTED TO: -