

# MPC852T PowerQUICC™ Hardware Specifications

This document contains detailed information for the MPC852T power considerations, DC/AC electrical characteristics, AC timing specifications, and pertinent electrical and physical characteristics. For information about functional characteristics of the processor, refer to the *MPC866 PowerQUICC™ Family Reference Manual* (MPC866UM). The MPC852T contains a PowerPC™ processor core built on Power Architecture™ technology.

To locate published errata or updates for this document, refer to the MPC852T product summary page on our website listed on the back cover of this document or, contact your local Freescale sales office.

## Contents

1. Overview .....	2
2. Features .....	2
3. Maximum Tolerated Ratings .....	6
4. Thermal Characteristics .....	7
5. Power Dissipation .....	8
6. DC Characteristics .....	8
7. Thermal Calculation and Measurement .....	9
8. References .....	11
9. Power Supply and Power Sequencing .....	12
10. Mandatory Reset Configurations .....	12
11. Layout Practices .....	13
12. Bus Signal Timing .....	14
13. IEEE 1149.1 Electrical Specifications .....	42
14. CPM Electrical Characteristics .....	44
15. FEC Electrical Characteristics .....	57
16. Mechanical Data and Ordering Information .....	60
17. Document Revision History .....	76

# 1 Overview

The MPC852T is a 0.18-micron derivative of the MPC860 PowerQUICC™ family, and can operate up to 100 MHz on the MPC8xx core with a 66-MHz external bus. The MPC852T has a 1.8-V core and a 3.3-V I/O operation with 5-V TTL compatibility. The MPC852T integrated communications controller is a versatile one-chip integrated microprocessor and peripheral combination that can be used in a variety of controller applications. It particularly excels in Ethernet control applications, including CPE equipment, Ethernet routers and hubs, VoIP clients, and WiFi access points.

The MPC852T is a PowerPC architecture-based derivative of the MPC860 Quad Integrated Communications Controller (PowerQUICC). The CPU on the MPC852T is a MPC8xx core, a 32-bit microprocessor that implements the PowerPC architecture, incorporating memory management units (MMUs) and instruction and data caches. The MPC852T is the subset of this family of devices.

# 2 Features

The MPC852T is comprised of three modules that each use a 32-bit internal bus: an MPC8xx core, system integration unit (SIU), and communication processor module (CPM).

The following list summarizes the key MPC852T features:

- Embedded MPC8xx core up to 100 MHz
- Maximum frequency operation of the external bus is 66 MHz
  - 50/66 MHz core frequencies support both 1:1 and 2:1 modes
  - 80/100 MHz core frequencies support 2:1 mode only
- Single-issue, 32-bit core (compatible with the PowerPC architecture definition) with thirty-two 32-bit general-purpose registers (GPRs)
  - The core performs branch prediction with conditional prefetch, without conditional execution.
  - 4-Kbyte data cache and 4-Kbyte instruction cache
    - 4-Kbyte instruction caches is two-way, set-associative with 128 sets
    - 4-Kbyte data caches is two-way, set-associative with 128 sets
    - Cache coherency for both instruction and data caches is maintained on 128-bit (4-word) cache blocks
    - Caches are physically addressed, implement a least recently used (LRU) replacement algorithm, and are lockable on a cache block basis
  - MMUs with 32-entry TLB, fully associative instruction, and data TLBs
  - MMUs support multiple page sizes of 4, 16, and 512 Kbytes, and 8 Mbytes; 16 virtual address spaces, and 16 protection groups
- Up to 32-bit data bus (dynamic bus sizing for 8, 16, and 32 bits)
- 32 address lines
- Memory controller (eight banks)
  - Contains complete dynamic RAM (DRAM) controller
  - Each bank can be a chip select or  $\overline{RAS}$  to support a DRAM bank

- Up to 30 wait states programmable per memory bank
- Glueless interface to DRAM, SIMMS, SRAM, EPROMs, Flash EPROMs, and other memory devices
- DRAM controller-programmable to support most size and speed memory interfaces
- Four  $\overline{\text{CAS}}$  lines, four  $\overline{\text{WE}}$  lines, and one  $\overline{\text{OE}}$  line
- Boot chip-select available at reset (options for 8-, 16-, or 32-bit memory)
- Variable block sizes (32 Kbytes–256 Mbytes)
- Selectable write protection
- On-chip bus arbitration logic
- Fast Ethernet controller (FEC)
- General-purpose timers
  - Two 16-bit timers or one 32-bit timer
  - Gate mode can enable or disable counting
  - Interrupt can be masked on reference match and event capture
- System integration unit (SIU)
  - Bus monitor
  - Software watchdog
  - Periodic interrupt timer (PIT)
  - Low-power stop mode
  - Clock synthesizer
  - Decrementer and time base
  - Reset controller
  - IEEE 1149.1™ standard test access port (JTAG)
- Interrupts
  - Seven external interrupt request (IRQ) lines
  - Seven port pins with interrupt capability
  - Eighteen internal interrupt sources
  - Programmable priority between SCCs
  - Programmable highest-priority request
- Communications processor module (CPM)
  - RISC controller
  - Communication-specific commands (for example, GRACEFUL STOP TRANSMIT, ENTER HUNT MODE, and RESTART TRANSMIT)
  - Supports continuous mode transmission and reception on all serial channels
  - 8-Kbytes of dual-port RAM
  - Eight serial DMA (SDMA) channels
  - Three parallel I/O registers with open-drain capability

## Features

- Two baud rate generators
  - Independent (can be connected to any SCC3/4 or SMC1)
  - Allows changes during operation
  - Autobaud support option
- Two SCCs (serial communication controllers)
  - Ethernet/IEEE 802.3® standard optional on SCC3 and SCC4, supporting full 10-Mbps operation
  - HDLC/SDLC
  - HDLC bus (implements an HDLC-based local area network (LAN))
  - Universal asynchronous receiver transmitter (UART)
  - Totally transparent (bit streams)
  - Totally transparent (frame-based with optional cyclic redundancy check (CRC))
- One SMC (serial management channel)
  - UART
- One SPI (serial peripheral interface)
  - Supports master and slave modes
  - Supports multimaster operation on the same bus
- PCMCIA interface
  - Master (socket) interface, release 2.1 compliant
  - Supports one independent PCMCIA socket; 8-memory or I/O windows supported
- Debug interface
  - Eight comparators: four operate on instruction address, two operate on data address, and two operate on data
  - Supports conditions: = ≠ < >
  - Each watchpoint can generate a break point internally
- Normal high and normal low power modes to conserve power
- 1.8 V core and 3.3-V I/O operation with 5-V TTL compatibility. Refer to [Table 5](#) for a listing of the 5-V tolerant pins.

[Figure 1](#) shows the MPC852T block diagram.

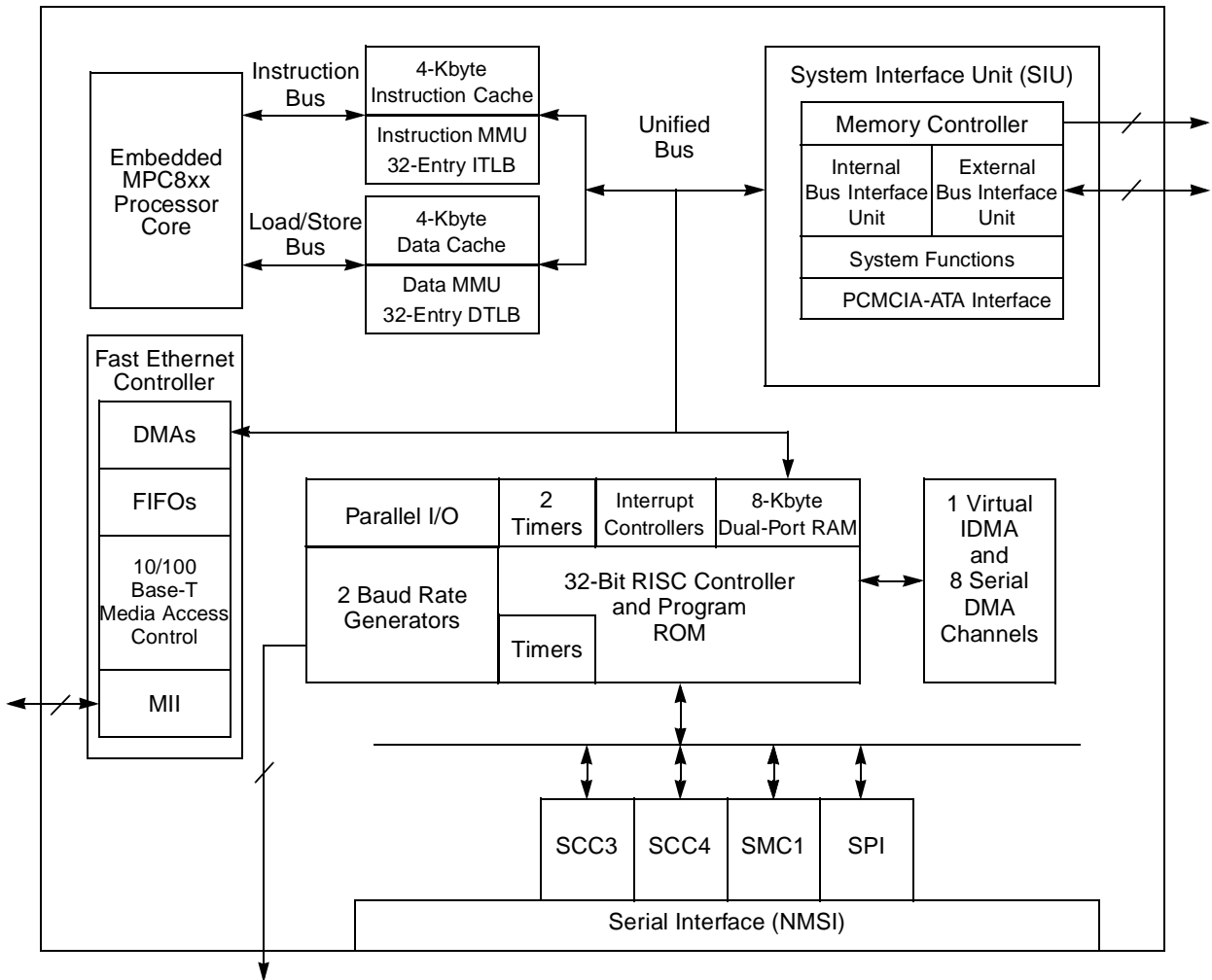


Figure 1. MPC852T Block Diagram

### 3 Maximum Tolerated Ratings

This section provides the maximum tolerated voltage and temperature ranges for the MPC852T. Table 1 provides the maximum ratings and operating temperatures.

**Table 1. Maximum Tolerated Ratings**

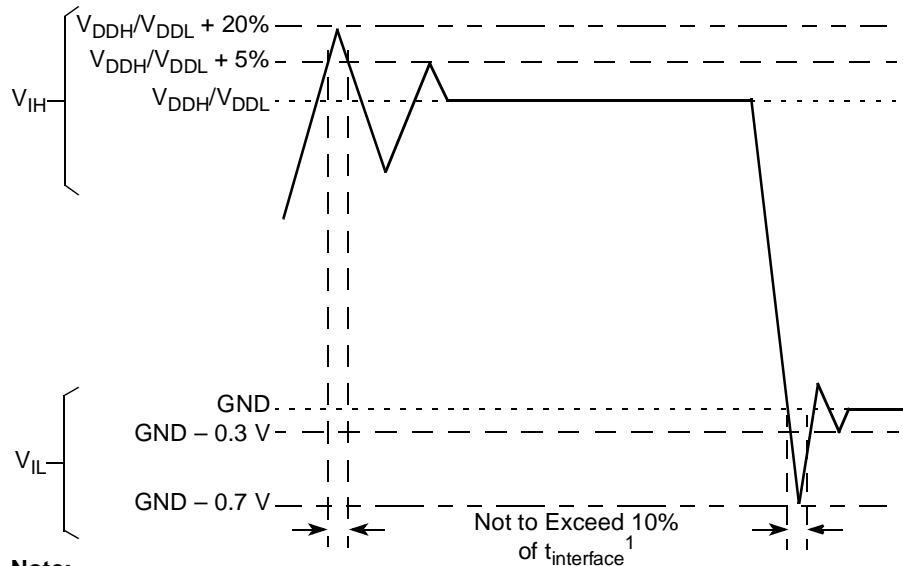
Rating	Symbol	Value	Unit
Supply voltage <sup>1</sup>	$V_{DDL}$ (core voltage)	- 0.3 to 3.4	V
	$V_{DDH}$ (I/O voltage)	- 0.3 to 4	V
	$V_{DDSYN}$	- 0.3 to 3.4	V
	Difference between $V_{DDL}$ to $V_{DDSYN}$	100	mV
Input voltage <sup>2</sup>	$V_{in}$	GND - 0.3 to $V_{DDH}$	V
Storage temperature range	$T_{stg}$	- 55 to +150	°C

<sup>1</sup> The power supply of the device must start its ramp from 0.0 V.

<sup>2</sup> Functional operating conditions are provided with the DC electrical specifications in Table 5. Absolute maximum ratings are stress ratings only; functional operation at the maxima is not guaranteed. Stresses beyond those listed may affect device reliability or cause permanent damage to the device.

**Caution:** All inputs that tolerate 5 V cannot be more than 2.5 V greater than  $V_{DDH}$ . This restriction applies to power-up and normal operation (that is, if the MPC852T is unpowered, a voltage greater than 2.5 V must not be applied to its inputs).

Figure 2 shows the undershoot and overshoot voltages at the interface of the MPC852T.



**Note:**

1.  $t_{interface}$  refers to the clock period associated with the bus clock interface.

**Figure 2. Undershoot/Overshoot Voltage for  $V_{DDH}$  and  $V_{DDL}$**

**Table 2. Operating Temperatures**

Rating	Symbol	Value	Unit
Temperature <sup>1</sup> (standard)	$T_{A(min)}$	0	°C
	$T_{j(max)}$	95	°C
Temperature (extended)	$T_{A(min)}$	- 40	°C
	$T_{j(max)}$	100	°C

<sup>1</sup> Minimum temperatures are guaranteed as ambient temperature,  $T_A$ . Maximum temperatures are guaranteed as junction temperature,  $T_j$ .

This device contains circuitry protecting against damage that high-static voltage or electrical fields cause; however, Freescale recommends taking normal precautions to avoid application of any voltages higher than maximum-rated voltages to this high-impedance circuit. Reliability of operation is enhanced if unused inputs are tied to an appropriate logic voltage level (for example, either GND or  $V_{DD}$ ).

## 4 Thermal Characteristics

Table 3 shows the thermal characteristics for the MPC852T.

**Table 3. MPC852T Thermal Resistance Data**

Rating	Environment		Symbol	Value	Unit
Junction-to-ambient <sup>1</sup>	Natural convection	Single-layer board (1s)	$R_{\theta JA}^2$	49	°C/W
		Four-layer board (2s2p)	$R_{\theta JMA}^3$	32	
	Airflow (200 ft/min)	Single-layer board (1s)	$R_{\theta JMA}^3$	41	
		Four-layer board (2s2p)	$R_{\theta JMA}^3$	29	
Junction-to-board <sup>4</sup>			$R_{\theta JB}$	24	
Junction-to-case <sup>5</sup>			$R_{\theta JC}$	13	
Junction-to-package top <sup>6</sup>	Natural convection		$\Psi_{JT}$	3	
	Airflow (200 ft/min)		$\Psi_{JT}$	2	

<sup>1</sup> Junction temperature is a function of on-chip power dissipation, package thermal resistance, mounting site (board) temperature, ambient temperature, airflow, power dissipation of other components on the board, and board thermal resistance.

<sup>2</sup> Per SEMI G38-87 and JEDEC JESD51-2 with the single-layer board horizontal

<sup>3</sup> Per JEDEC JESD51-6 with the board horizontal

<sup>4</sup> Thermal resistance between the die and the printed-circuit board per JEDEC JESD51-8. Board temperature is measured on the top surface of the board near the package.

<sup>5</sup> Indicates the average thermal resistance between the die and the case top surface as measured by the cold plate method (MIL SPEC-883 Method 1012.1) with the cold plate temperature used for the case temperature. For exposed pad packages where the pad would be expected to be soldered, junction-to-case thermal resistance is a simulated value from the junction to the exposed pad without contact resistance.

<sup>6</sup> Thermal characterization parameter indicating the temperature difference between package top and the junction temperature per JEDEC JESD51-2

## 5 Power Dissipation

Table 4 provides power dissipation information. The modes are 1:1, where CPU and bus speeds are equal, and 2:1 mode, where CPU frequency is twice bus speed.

**Table 4. Power Dissipation ( $P_D$ )**

Die Revision	Bus Mode	Frequency (MHz)	Typical <sup>1</sup>	Maximum <sup>2</sup>	Unit
0	1:1	50	110	140	mW
		66	150	180	mW
	2:1	66	140	160	mW
		80	170	200	mW
		100	210	250	mW

<sup>1</sup> Typical power dissipation is measured at 1.9 V.

<sup>2</sup> Maximum power dissipation at  $V_{DDL}$  and  $V_{DDSYN}$  is at 1.9 V. and  $V_{DDH}$  is at 3.465 V.

### NOTE

Values in Table 4 represent  $V_{DDL}$ -based power dissipation, and do not include I/O power dissipation over  $V_{DDH}$ . I/O power dissipation varies widely by application that buffer current can cause, depending on external circuitry.

The  $V_{DDSYN}$  power dissipation is negligible.

## 6 DC Characteristics

Table 5 provides the DC electrical characteristics for the MPC852T.

**Table 5. DC Electrical Specifications**

Characteristic	Symbol	Min	Max	Unit
Operating voltage	$V_{DDH}$	3.135	3.465	V
	$V_{DDL}$	1.7	1.9	V
	$V_{DDSYN}$	1.7	1.9	V
	Difference between $V_{DDL}$ to $V_{DDSYN}$	—	100	mV
Input high voltage (all inputs except PA[0:3], PA[8:11], PB15, PB[24:25]; PB[28:31], PC[4:7], PC[12:13], PC15, PD[3:15], TDI, TDO, TCK, $\overline{TRST}$ , TMS, MII_TXEN, MII_MDIO) <sup>1</sup>	$V_{IH}$	2.0	3.465	V
Input low voltage	$V_{IL}$	GND	0.8	V
EXTAL, EXTCLK input high voltage	$V_{IHC}$	$0.7 \times V_{DDH}$	$V_{DDH}$	V



**Table 5. DC Electrical Specifications (continued)**

Characteristic	Symbol	Min	Max	Unit
Input leakage current, $V_{in} = 5.5\text{ V}$ (Except TMS, $\overline{\text{TRST}}$ , DSCK and DSDI pins) for 5-V tolerant pins <sup>1</sup>	$I_{in}$	—	100	$\mu\text{A}$
Input leakage current, $V_{in} = V_{DDH}$ (Except TMS, $\overline{\text{TRST}}$ , DSCK, and DSDI)	$I_{in}$	—	10	$\mu\text{A}$
Input leakage current, $V_{in} = 0\text{ V}$ (Except TMS, $\overline{\text{TRST}}$ , DSCK and DSDI pins)	$I_{in}$	—	10	$\mu\text{A}$
Input capacitance <sup>2</sup>	$C_{in}$	—	20	pF
Output high voltage, $I_{OH} = -2.0\text{ mA}$ , $V_{DDH} = 3.0\text{ V}$ Except XTAL and open drain pins	VOH	2.4	—	V
Output low voltage $I_{OL} = 2.0\text{ mA}$ (CLKOUT) $I_{OL} = 3.2\text{ mA}$ <sup>3</sup> $I_{OL} = 5.3\text{ mA}$ <sup>4</sup> $I_{OL} = 7.0\text{ mA}$ (Txd1/pa14, txd2/pa12) $I_{OL} = 8.9\text{ mA}$ ( $\overline{\text{TS}}$ , $\overline{\text{TA}}$ , $\overline{\text{TEA}}$ , $\overline{\text{BI}}$ , $\overline{\text{BB}}$ , $\overline{\text{HRESET}}$ , $\overline{\text{SRESET}}$ )	VOL	—	0.5	V

<sup>1</sup> The PA[0:3], PA[8:11], PB15, PB[24:25]; PB[28:31], PC[4:7], PC[12:13], PC15, PD[3:15], TDI, TDO, TCK,  $\overline{\text{TRST}}$ , TMS, MII\_TXEN, MII\_MDIO are 5-V tolerant pins.

<sup>2</sup> Input capacitance is periodically sampled.

<sup>3</sup> A(0:31), TSIZ0/ $\overline{\text{REG}}$ , TSIZ1, D(0:31), DP(0:3)/ $\overline{\text{IRQ}}$ (3:6), RD/ $\overline{\text{WR}}$ ,  $\overline{\text{BURST}}$ ,  $\overline{\text{RSV/IRQ2}}$ , IWP(0:1)/VFLS(0:1), RXD3/PA11, TXD3/PA10, RXD4/PA9, TXD4/PA8, TIN3/BRGO3/CLK5/PA3, BRGCLK2/ $\overline{\text{TOUT3/CLK6/PA2}}$ , TIN4/BRGO4/CLK7/PA1,  $\overline{\text{TOUT4/CLK8/PA0}}$ ,  $\overline{\text{SPISEL/PB31}}$ ,  $\overline{\text{SPICLK/PB30}}$ ,  $\overline{\text{SPIMOSI/PB29}}$ , BRGO4/SPIMISO/PB28, SMTXD1/PB25,  $\overline{\text{SMRXD1/PB24}}$ , BRGO3/PB15,  $\overline{\text{RTS1/DREQ0/PC15}}$ ,  $\overline{\text{RTS3/PC13}}$ ,  $\overline{\text{RTS4/PC12}}$ ,  $\overline{\text{CTS3/PC7}}$ ,  $\overline{\text{CD3/PC6}}$ ,  $\overline{\text{CTS4/SDACK1/PC5}}$ ,  $\overline{\text{CD4/PC4}}$ , MII-RXD3/PD15, MII-RXD2/PD14, MII-RXD1/PD13, MII-MDC/PD12, MII-TXERR/RXD3/PD11, MII-RX0/TXD3/PD10, MII-TXD0/RXD4/PD9, MII-RXCLK/TXD4/PD8, MII-TXD3/PD5, MII-RXDV/RTS4/PD6, MII-RXERR/ $\overline{\text{RTS3/PD7}}$ , MII-TXD2/REJECT3/PD4, MII-TXD1/REJECT4/PD3, MII\_CRCS, MII\_MDIO, MII\_TXEN, and MII\_COL

<sup>4</sup>  $\overline{\text{BDIP/GPL\_B(5)}}$ ,  $\overline{\text{BR}}$ ,  $\overline{\text{BG}}$ ,  $\overline{\text{FRZ/IRQ6}}$ ,  $\overline{\text{CS(0:5)}}$ ,  $\overline{\text{CS(6)}}$ ,  $\overline{\text{CS(7)}}$ ,  $\overline{\text{WE0/BS\_B0/IORD}}$ ,  $\overline{\text{WE1/BS\_B1/IOWR}}$ ,  $\overline{\text{WE2/BS\_B2/PCOE}}$ ,  $\overline{\text{WE3/BS\_B3/PCWE}}$ ,  $\overline{\text{BS\_A(0:3)}}$ ,  $\overline{\text{GPL\_A0/GPL\_B0}}$ ,  $\overline{\text{OE/GPL\_A1/GPL\_B1}}$ ,  $\overline{\text{GPL\_A(2:3)/GPL\_B(2:3)/CS(2:3)}}$ , UPWAITA/ $\overline{\text{GPL\_A4}}$ ,  $\overline{\text{GPL\_A5}}$ , ALE\_A,  $\overline{\text{CE1\_A}}$ ,  $\overline{\text{CE2\_A}}$ , DSCK, OP(0:1), OP2/MODCK1/ $\overline{\text{STS}}$ , OP3/MODCK2/DSDO, and BADDR(28:30)

## 7 Thermal Calculation and Measurement

For the following discussions,  $P_D = (V_{DDL} \times I_{DDL}) + P_{I/O}$ , where  $P_{I/O}$  is the power dissipation of the I/O drivers.

### NOTE

The  $V_{DDSYN}$  power dissipation is negligible.

### 7.1 Estimation with Junction-to-Ambient Thermal Resistance

An estimation of the chip junction temperature,  $T_J$ , in  $^{\circ}\text{C}$  can be obtained from the equation:

$$T_J = T_A + (R_{\theta JA} \times P_D)$$

where:

$T_A$  = ambient temperature (°C)

$R_{\theta JA}$  = package junction-to-ambient thermal resistance (°C/W)

$P_D$  = power dissipation in package

The junction-to-ambient thermal resistance is an industry standard value that provides a quick and easy estimation of thermal performance. However, the answer is only an estimate; test cases have demonstrated that errors of a factor of two (in the quantity  $T_J - T_A$ ) are possible.

## 7.2 Estimation with Junction-to-Case Thermal Resistance

Historically, the thermal resistance has frequently been expressed as the sum of a junction-to-case thermal resistance and a case-to-ambient thermal resistance:

$$R_{\theta JA} = R_{\theta JC} + R_{\theta CA}$$

where:

$R_{\theta JA}$  = junction-to-ambient thermal resistance (°C/W)

$R_{\theta JC}$  = junction-to-case thermal resistance (°C/W)

$R_{\theta CA}$  = case-to-ambient thermal resistance (°C/W)

$R_{\theta JC}$  is device-related and cannot be influenced by the user. The user adjusts the thermal environment to affect the case-to-ambient thermal resistance,  $R_{\theta CA}$ . For instance, the user can change the airflow around the device, add a heat sink, change the mounting arrangement on the printed-circuit board, or change the thermal dissipation on the printed-circuit board surrounding the device. This thermal model is most useful for ceramic packages with heat sinks where some 90% of the heat flows through the case and the heat sink to the ambient environment. For most packages, a better model is required.

## 7.3 Estimation with Junction-to-Board Thermal Resistance

A simple package thermal model that has demonstrated reasonable accuracy (about 20%) is a two-resistor model consisting of a junction-to-board and a junction-to-case thermal resistance. The junction-to-case covers the situation where a heat sink is used or where a substantial amount of heat is dissipated from the top of the package. The junction-to-board thermal resistance describes the thermal performance when most of the heat is conducted to the printed-circuit board. Thermal performance of most plastic packages and especially PBGA packages is strongly dependent on the board temperature. If the board temperature is known, an estimate of the junction temperature in the environment can be made using the following equation:

$$T_J = T_B + (R_{\theta JB} \times P_D)$$

where:

$R_{\theta JB}$  = junction-to-board thermal resistance (°C/W)

$T_B$  = board temperature (°C)

$P_D$  = power dissipation in package

If the board temperature is known and the heat loss from the package case to the air can be ignored, acceptable predictions of junction temperature can be made. For this method to work, the board and board mounting must be similar to the test board used to determine the junction-to-board thermal resistance, namely a 2s2p (board with a power and a ground plane) and vias attaching the thermal balls to the ground plane.

## 7.4 Estimation Using Simulation

When the board temperature is not known, a thermal simulation of the application is needed. The simple two-resistor model can be used with the thermal simulation of the application [2], or a more accurate and complex model of the package can be used in the thermal simulation.

## 7.5 Experimental Determination

To determine the junction temperature of the device in the application after prototypes are available, the thermal characterization parameter ( $\Psi_{JT}$ ) can be used to determine the junction temperature with a measurement of the temperature at the top center of the package case using the following equation:

$$T_J = T_T + (\Psi_{JT} \times P_D)$$

where:

$\Psi_{JT}$  = thermal characterization parameter

$T_T$  = thermocouple temperature on top of package

$P_D$  = power dissipation in package

The thermal characterization parameter is measured per JESD51-2 specification published by JEDEC using a 40-gauge type T thermocouple epoxied to the top center of the package case. The thermocouple should be positioned so that the thermocouple junction rests on the package. A small amount of epoxy is placed over the thermocouple junction and over about 1 mm of wire extending from the junction. The thermocouple wire is placed flat against the package case to avoid measurement errors that cooling effects of the thermocouple wire cause.

## 8 References

Semiconductor Equipment and Materials International (415) 964-5111  
805 East Middlefield Rd  
Mountain View, CA 94043

MIL-SPEC and EIA/JESD (JEDEC) specifications 800-854-7179 or  
(Available from Global Engineering documents) 303-397-7956

JEDEC Specifications <http://www.jedec.org>

1. C.E. Triplett and B. Joiner, "An Experimental Characterization of a 272 PBGA Within an Automotive Engine Controller Module," Proceedings of SemiTherm, San Diego, 1998, pp. 47–54.
2. B. Joiner and V. Adams, "Measurement and Simulation of Junction to Board Thermal Resistance and Its Application in Thermal Modeling," Proceedings of SemiTherm, San Diego, 1999, pp. 212–220.

## 9 Power Supply and Power Sequencing

This section provides design considerations for the MPC852T power supply. The MPC852T has a core voltage ( $V_{DDL}$ ) and PLL voltage ( $V_{DDSYN}$ ) that operates at a lower voltage than the I/O voltage  $V_{DDH}$ . The I/O section of the MPC852T is supplied with 3.3 V across  $V_{DDH}$  and  $V_{SS}$  (GND).

The signals PA[0:3], PA[8:11], PB15, PB[24:25]; PB[28:31], PC[4:7], PC[12:13], PC15] PD[3:15], TDI, TDO, TCK,  $\overline{TRST}$ , TMS, MII\_TXEN, MII\_MDIO are 5-V tolerant. All inputs cannot be more than 2.5 V greater than  $V_{DDH}$ . In addition, 5-V tolerant pins can not exceed 5.5 V, and the remaining input pins cannot exceed 3.465 V. This restriction applies to power-on reset or power down and normal operation.

One consequence of multiple power supplies is that when power is initially applied, the voltage rails ramp up at different rates. The rates depend on the nature of the power supply, the type of load on each power supply, and the manner in which different voltages are derived. The following restrictions apply:

- $V_{DDL}$  must not exceed  $V_{DDH}$  during power-on reset or power down.
- $V_{DDL}$  must not exceed 1.9 V, and  $V_{DDH}$  must not exceed 3.465.

These cautions are necessary for the long-term reliability of the part. If they are violated, the electrostatic discharge (ESD) protection diodes are forward-biased, and excessive current can flow through these diodes. If the system power supply design does not control the voltage sequencing, the circuit shown in [Figure 3](#) can be added to meet these requirements. The MUR420 Schottky diodes control the maximum potential difference between the external bus and core power supplies on power-on reset, and the 1N5820 diodes regulate the maximum potential difference on power-down.

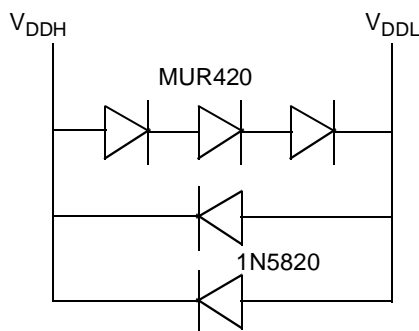


Figure 3. Example Voltage Sequencing Circuit

## 10 Mandatory Reset Configurations

The MPC852T requires a mandatory configuration during reset.

If hardware reset configuration word (HRCW) is enabled, by asserting the  $\overline{RSTCONF}$  during  $\overline{HRESET}$  assertion, the HRCW[DBGC] value that is needed to be set to binary X1 in the hardware reset configuration word (HRCW) and the SIUMCR[DBGC] should be programmed with the same value in the boot code after reset.

If hardware reset configuration word (HRCW) is disabled, by negating the  $\overline{RSTCONF}$  during the  $\overline{HRESET}$  assertion, the SIUMCR[DBGC] should be programmed with binary X1 in the boot code after reset.

The MBR[GPLB4DIS], PPAR, PADIR, PPAR, PBDIR, PCPAR, and PCDIR should be configured with the mandatory value in Table 6 in the boot code after the reset deasserts.

**Table 6. Mandatory Reset Configuration of MPC852T**

Register/Configuration	Field	Value (Binary)
HRCW (Hardware reset configuration word)	HRCW[DBGC]	X1
SIUMCR (SIU module configuration register)	SIUMCR[DBGC]	X1
MBMR (Machine B mode register)	MBMR[GPLB4DIS]	0
PAPAR (Port A pin assignment register)	PAPAR[4–7] PAPAR[12–15]	0
PADIR (Port A data direction register)	PADIR[4–7] PADIR[12–15]	1
PBPAR (Port B pin assignment register)	PBPAR[14] PBPAR[16–23] PBPAR[26–27]	0
PBDIR (Port B data direction register)	PBDIR[14] PBDIR[16–23] PBDIR[26–27]	1
PCPAR (Port C pin assignment register)	PCPAR[8–11] PCDIR[14]	0
PCDIR (Port C data direction register)	PCDIR[8–11] PCDIR[14]	1

## 11 Layout Practices

Each  $V_{DD}$  pin on the MPC852T should be provided with a low-impedance path to the board's supply. Each GND pin should likewise be provided with a low-impedance path to ground. The power supply pins drive distinct groups of logic on chip. The  $V_{DD}$  power supply should be bypassed to ground using at least four 0.1  $\mu$ F bypass capacitors located as close as possible to the four sides of the package. Each board designed should be characterized and additional appropriate decoupling capacitors should be used if required. The capacitor leads and associated printed-circuit traces connecting to chip  $V_{DD}$  and GND should be kept to less than half an inch per capacitor lead. At a minimum, a four-layer board employing two inner layers as  $V_{DD}$  and GND planes should be used.

All output pins on the MPC852T have fast rise and fall times. Printed-circuit (PC) trace interconnection length should be minimized to minimize undershoot and reflections that these fast output switching times cause. This recommendation particularly applies to the address and data buses. Maximum PC trace lengths of six inches are recommended. Capacitance calculations should consider all device loads as well as parasitic capacitances that the PC traces cause. Attention to proper PCB layout and bypassing becomes especially critical in systems with higher capacitive loads, because these loads create higher transient currents in the  $V_{DD}$  and GND circuits. Pull up all unused inputs or signals that are inputs during reset. Special care should be taken to minimize the noise levels on the PLL supply pins. For more information, please refer to the *MPC866 PowerQUICC™ Family Reference Manual*, Section 14.4.3, "Clock Synthesizer Power ( $V_{DDSYN}$ ,  $V_{SSSYN}$ ,  $V_{SSSYN1}$ )."

## 12 Bus Signal Timing

The maximum bus speed that the MPC852T supports is 66 MHz. [Table 7](#) shows the frequency ranges for standard part frequencies.

**Table 7. Frequency Ranges for Standard Part Frequencies (1:1 Bus Mode)**

Part Frequency	50 MHz		66 MHz	
	Min	Max	Min	Max
Core	40	50	40	66.67
Bus	40	50	40	66.67

**Table 8. Frequency Ranges for Standard Part Frequencies (2:1 Bus Mode)**

Part Frequency	50 MHz		66 MHz		80 MHz		100 MHz	
	Min	Max	Min	Max	Min	Max	Min	Max
Core	40	50	40	66.67	40	80	40	100
Bus 2:1	20	25	20	33.33	20	40	20	50

[Table 9](#) provides the bus operation timing for the MPC852T at 33, 40, 50, and 66 MHz.

The timing for the MPC852T bus shown assumes a 50-pF load for maximum delays and a 0-pF load for minimum delays. CLKOUT assumes a 100-pF load maximum delay

**Table 9. Bus Operation Timings**

Num	Characteristic	33 MHz		40 MHz		50 MHz		66 MHz		Unit
		Min	Max	Min	Max	Min	Max	Min	Max	
B1	Bus period (CLKOUT) See <a href="#">Table 7</a>	—	—	—	—	—	—	—	—	ns
B1a	EXTCLK to CLKOUT phase skew—If CLKOUT is an integer multiple of EXTCLK, then the rising edge of EXTCLK is aligned with the rising edge of CLKOUT. For a non-integer multiple of EXTCLK, this synchronization is lost, and the rising edges of EXTCLK and CLKOUT have a continuously varying phase skew.	-2	+2	-2	+2	-2	+2	-2	+2	ns
B1b	CLKOUT frequency jitter peak-to-peak	—	1	—	1	—	1	—	1	ns
B1c	Frequency jitter on EXTCLK <sup>1</sup>	—	0.50	—	0.50	—	0.50	—	0.50	%
B1d	CLKOUT phase jitter peak-to-peak for OSCLK ≥ 15 MHz	—	4	—	4	—	4	—	4	ns
	CLKOUT phase jitter peak-to-peak for OSCLK < 15 MHz	—	5	—	5	—	5	—	5	ns
B2	CLKOUT pulse width low (MIN = 0.4 × B1, MAX = 0.6 × B1)	12.1	18.2	10.0	15.0	8.0	12.0	6.1	9.1	ns

Table 9. Bus Operation Timings (continued)

Num	Characteristic	33 MHz		40 MHz		50 MHz		66 MHz		Unit
		Min	Max	Min	Max	Min	Max	Min	Max	
B3	CLKOUT pulse width high (MIN = $0.4 \times B1$ , MAX = $0.6 \times B1$ )	12.1	18.2	10.0	15.0	8.0	12.0	6.1	9.1	ns
B4	CLKOUT rise time	—	4.00	—	4.00	—	4.00	—	4.00	ns
B5	CLKOUT fall time	—	4.00	—	4.00	—	4.00	—	4.00	ns
B7	CLKOUT to A(0:31), BADDR(28:30), RD/W $\overline{R}$ , BURST, D(0:31), DP(0:3) output hold (MIN = $0.25 \times B1$ )	7.60	—	6.30	—	5.00	—	3.80	—	ns
B7a	CLKOUT to TSIZ(0:1), REG, RSV, BDIP, PTR output hold (MIN = $0.25 \times B1$ )	7.60	—	6.30	—	5.00	—	3.80	—	ns
B7b	CLKOUT to BR, BG, FRZ, VFLS(0:1), VF(0:2) IWP(0:2), LWP(0:1), STS output hold (MIN = $0.25 \times B1$ )	7.60	—	6.30	—	5.00	—	3.80	—	ns
B8	CLKOUT to A(0:31), BADDR(28:30) RD/W $\overline{R}$ , BURST, D(0:31), DP(0:3) valid (MAX = $0.25 \times B1 + 6.3$ )	—	13.80	—	12.50	—	11.30	—	10.00	ns
B8a	CLKOUT to TSIZ(0:1), REG, RSV, BDIP, PTR valid (MAX = $0.25 \times B1 + 6.3$ )	—	13.80	—	12.50	—	11.30	—	10.00	ns
B8b	CLKOUT to BR, BG, VFLS(0:1), VF(0:2), IWP(0:2), FRZ, LWP(0:1), STS Valid <sup>3</sup> (MAX = $0.25 \times B1 + 6.3$ )	—	13.80	—	12.50	—	11.30	—	10.00	ns
B9	CLKOUT to A(0:31), BADDR(28:30), RD/W $\overline{R}$ , BURST, D(0:31), DP(0:3), TSIZ(0:1), REG, RSV, PTR High-Z (MAX = $0.25 \times B1 + 6.3$ )	7.60	13.80	6.30	12.50	5.00	11.30	3.80	10.00	ns
B11	CLKOUT to TS, BB assertion (MAX = $0.25 \times B1 + 6.0$ )	7.60	13.60	6.30	12.30	5.00	11.00	3.80	9.80	ns
B11a	CLKOUT to TA, BI assertion (when driven by the memory controller or PCMCIA interface) (MAX = $0.00 \times B1 + 9.30^2$ )	2.50	9.30	2.50	9.30	2.50	9.30	2.50	9.80	ns
B12	CLKOUT to TS, BB negation (MAX = $0.25 \times B1 + 4.8$ )	7.60	12.30	6.30	11.00	5.00	9.80	3.80	8.50	ns
B12a	CLKOUT to TA, BI negation (when driven by the memory controller or PCMCIA interface) (MAX = $0.00 \times B1 + 9.00$ )	2.50	9.00	2.50	9.00	2.50	9.00	2.50	9.00	ns
B13	CLKOUT to TS, BB High-Z (MIN = $0.25 \times B1$ )	7.60	21.60	6.30	20.30	5.00	19.00	3.80	14.00	ns
B13a	CLKOUT to TA, BI High-Z (when driven by the memory controller or PCMCIA interface) (MIN = $0.00 \times B1 + 2.5$ )	2.50	15.00	2.50	15.00	2.50	15.00	2.50	15.00	ns
B14	CLKOUT to TEA assertion (MAX = $0.00 \times B1 + 9.00$ )	2.50	9.00	2.50	9.00	2.50	9.00	2.50	9.00	ns

Table 9. Bus Operation Timings (continued)

Num	Characteristic	33 MHz		40 MHz		50 MHz		66 MHz		Unit
		Min	Max	Min	Max	Min	Max	Min	Max	
B15	CLKOUT to $\overline{TEA}$ High-Z (MIN = $0.00 \times B1 + 2.50$ )	2.50	15.00	2.50	15.00	2.50	15.00	2.50	15.00	ns
B16	$\overline{TA}$ , $\overline{BI}$ valid to CLKOUT (setup time) (MIN = $0.00 \times B1 + 6.00$ )	6.00	—	6.00	—	6.00	—	6.00	—	ns
B16a	$\overline{TEA}$ , $\overline{KR}$ , $\overline{RETRY}$ , $\overline{CR}$ valid to CLKOUT (setup time) (MIN = $0.00 \times B1 + 4.5$ )	4.50	—	4.50	—	4.50	—	4.50	—	ns
B16b	$\overline{BB}$ , $\overline{BG}$ , $\overline{BR}$ , valid to CLKOUT (setup time) <sup>3</sup> (4MIN = $0.00 \times B1 + .000$ )	4.00	—	4.00	—	4.00	—	4.00	—	ns
B17	CLKOUT to $\overline{TA}$ , $\overline{TEA}$ , $\overline{BI}$ , $\overline{BB}$ , $\overline{BG}$ , $\overline{BR}$ valid (hold time) (MIN = $0.00 \times B1 + 1.00^4$ )	1.00	—	1.00	—	1.00	—	2.00	—	ns
B17a	CLKOUT to $\overline{KR}$ , $\overline{RETRY}$ , $\overline{CR}$ valid (hold time) (MIN = $0.00 \times B1 + 2.00$ )	2.00	—	2.00	—	2.00	—	2.00	—	ns
B18	D(0:31), DP(0:3) valid to CLKOUT rising edge (setup time) <sup>5</sup> (MIN = $0.00 \times B1 + 6.00$ )	6.00	—	6.00	—	6.00	—	6.00	—	ns
B19	CLKOUT rising edge to D(0:31), DP(0:3) valid (hold time) <sup>5</sup> (MIN = $0.00 \times B1 + 1.00^6$ )	1.00	—	1.00	—	1.00	—	2.00	—	ns
B20	D(0:31), DP(0:3) valid to CLKOUT falling edge (setup time) <sup>7</sup> (MIN = $0.00 \times B1 + 4.00$ )	4.00	—	4.00	—	4.00	—	4.00	—	ns
B21	CLKOUT falling edge to D(0:31), DP(0:3) valid (hold Time) <sup>7</sup> (MIN = $0.00 \times B1 + 2.00$ )	2.00	—	2.00	—	2.00	—	2.00	—	ns
B22	CLKOUT rising edge to $\overline{CS}$ asserted GPCM ACS = 00 (MAX = $0.25 \times B1 + 6.3$ )	7.60	13.80	6.30	12.50	5.00	11.30	3.80	10.00	ns
B22a	CLKOUT falling edge to $\overline{CS}$ asserted GPCM ACS = 10, TRLX = 0 (MAX = $0.00 \times B1 + 8.00$ )	—	8.00	—	8.00	—	8.00	—	8.00	ns
B22b	CLKOUT falling edge to $\overline{CS}$ asserted GPCM ACS = 11, TRLX = 0, EBDF = 0 (MAX = $0.25 \times B1 + 6.3$ )	7.60	13.80	6.30	12.50	5.00	11.30	3.80	10.00	ns
B22c	CLKOUT falling edge to $\overline{CS}$ asserted GPCM ACS = 11, TRLX = 0, EBDF = 1 (MAX = $0.375 \times B1 + 6.6$ )	10.90	18.00	10.90	16.00	7.00	14.10	5.20	12.30	ns
B23	CLKOUT rising edge to $\overline{CS}$ negated GPCM read access, GPCM write access ACS = 00, TRLX = 0 & CSNT = 0 (MAX = $0.00 \times B1 + 8.00$ )	2.00	8.00	2.00	8.00	2.00	8.00	2.00	8.00	ns
B24	A(0:31) and BADDR(28:30) to $\overline{CS}$ asserted GPCM ACS = 10, TRLX = 0 (MIN = $0.25 \times B1 - 2.00$ )	5.60	—	4.30	—	3.00	—	1.80	—	ns



Table 9. Bus Operation Timings (continued)

Num	Characteristic	33 MHz		40 MHz		50 MHz		66 MHz		Unit
		Min	Max	Min	Max	Min	Max	Min	Max	
B24a	A(0:31) and BADDR(28:30) to $\overline{CS}$ asserted GPCM ACS = 11 TRLX = 0 (MIN = $0.50 \times B1 - 2.00$ )	13.20	—	10.50	—	8.00	—	5.60	—	ns
B25	CLKOUT rising edge to $\overline{OE}$ , $\overline{WE}(0:3)/BS\_B[0:3]$ asserted (MAX = $0.00 \times B1 + 9.00$ )	—	9.00	—	9.00	—	9.00	—	9.00	ns
B26	CLKOUT rising edge to $\overline{OE}$ negated (MAX = $0.00 \times B1 + 9.00$ )	2.00	9.00	2.00	9.00	2.00	9.00	2.00	9.00	ns
B27	A(0:31) and BADDR(28:30) to $\overline{CS}$ asserted GPCM ACS = 10, TRLX = 1 (MIN = $1.25 \times B1 - 2.00$ )	35.90	—	29.30	—	23.00	—	16.90	—	ns
B27a	A(0:31) and BADDR(28:30) to $\overline{CS}$ asserted GPCM ACS = 11, TRLX = 1 (MIN = $1.50 \times B1 - 2.00$ )	43.50	—	35.50	—	28.00	—	20.70	—	ns
B28	CLKOUT rising edge to $\overline{WE}(0:3)/BS\_B[0:3]$ negated GPCM write access CSNT = 0 (MAX = $0.00 \times B1 + 9.00$ )	—	9.00	—	9.00	—	9.00	—	9.00	ns
B28a	CLKOUT falling edge to $\overline{WE}(0:3)/BS\_B[0:3]$ negated GPCM write access TRLX = 0,1 CSNT = 1, EBDF = 0 (MAX = $0.25 \times B1 + 6.80$ )	7.60	14.30	6.30	13.00	5.00	11.80	3.80	10.50	ns
B28b	CLKOUT falling edge to $\overline{CS}$ negated GPCM write access TRLX = 0,1 CSNT = 1 ACS = 10 or ACS = 11, EBDF = 0 (MAX = $0.25 \times B1 + 6.80$ )	—	14.30	—	13.00	—	11.80	—	10.50	ns
B28c	CLKOUT falling edge to $\overline{WE}(0:3)/BS\_B[0:3]$ negated GPCM write access TRLX = 0,1 CSNT = 1 write access TRLX = 0,1 CSNT = 1, EBDF = 1 (MAX = $0.375 \times B1 + 6.6$ )	10.90	18.00	10.90	18.00	7.00	14.30	5.20	12.30	ns
B28d	CLKOUT falling edge to $\overline{CS}$ negated GPCM write access TRLX = 0,1 CSNT = 1, ACS = 10, or ACS = 11, EBDF = 1 (MAX = $0.375 \times B1 + 6.6$ )	—	18.00	—	18.00	—	14.30	—	12.30	ns
B29	$\overline{WE}(0:3)/BS\_B[0:3]$ negated to D(0:31), DP(0:3) High-Z GPCM write access, CSNT = 0, EBDF = 0 (MIN = $0.25 \times B1 - 2.00$ )	5.60	—	4.30	—	3.00	—	1.80	—	ns
B29a	$\overline{WE}(0:3)/BS\_B[0:3]$ negated to D(0:31), DP(0:3) High-Z GPCM write access, TRLX = 0, CSNT = 1, EBDF = 0 (MIN = $0.50 \times B1 - 2.00$ )	13.20	—	10.50	—	8.00	—	5.60	—	ns

Table 9. Bus Operation Timings (continued)

Num	Characteristic	33 MHz		40 MHz		50 MHz		66 MHz		Unit
		Min	Max	Min	Max	Min	Max	Min	Max	
B29b	$\overline{CS}$ negated to D(0:31), DP(0:3), High Z GPCM write access, ACS = 00, TRLX = 0,1 and CSNT = 0 (MIN = $0.25 \times B1 - 2.00$ )	5.60	—	4.30	—	3.00	—	1.80	—	ns
B29c	$\overline{CS}$ negated to D(0:31), DP(0:3) High-Z GPCM write access, TRLX = 0, CSNT = 1, ACS = 10, or ACS = 11 EBDF = 0 (MIN = $0.50 \times B1 - 2.00$ )	13.20	—	10.50	—	8.00	—	5.60	—	ns
B29d	$\overline{WE}(0:3)/BS\_B[0:3]$ negated to D(0:31), DP(0:3) High-Z GPCM write access, TRLX = 1, CSNT = 1, EBDF = 0 (MIN = $1.50 \times B1 - 2.00$ )	43.50	—	35.50	—	28.00	—	20.70	—	ns
B29e	$\overline{CS}$ negated to D(0:31), DP(0:3) High-Z GPCM write access, TRLX = 1, CSNT = 1, ACS = 10, or ACS = 11 EBDF = 0 (MIN = $1.50 \times B1 - 2.00$ )	43.50	—	35.50	—	28.00	—	20.70	—	ns
B29f	$\overline{WE}(0:3)/BS\_B[0:3]$ negated to D(0:31), DP(0:3) High Z GPCM write access, TRLX = 0, CSNT = 1, EBDF = 1 (MIN = $0.375 \times B1 - 6.30$ ) <sup>8</sup>	5.00	—	3.00	—	1.10	—	0.00	—	ns
B29g	$\overline{CS}$ negated to D(0:31), DP(0:3) High-Z GPCM write access, TRLX = 0, CSNT = 1 ACS = 10 or ACS = 11, EBDF = 1 (MIN = $0.375 \times B1 - 6.30$ ) <sup>8</sup>	5.00	—	3.00	—	1.10	—	0.00	—	ns
B29h	$\overline{WE}(0:3)/BS\_B[0:3]$ negated to D(0:31), DP(0:3) High Z GPCM write access, TRLX = 1, CSNT = 1, EBDF = 1 (MIN = $0.375 \times B1 - 3.30$ )	38.40	—	31.10	—	24.20	—	17.50	—	ns
B29i	$\overline{CS}$ negated to D(0:31), DP(0:3) High-Z GPCM write access, TRLX = 1, CSNT = 1, ACS = 10 or ACS = 11, EBDF = 1 (MIN = $0.375 \times B1 - 3.30$ )	38.40	—	31.10	—	24.20	—	17.50	—	ns
B30	$\overline{CS}$ , $\overline{WE}(0:3)/BS\_B[0:3]$ negated to A(0:31), BADDR(28:30) Invalid GPCM write access <sup>9</sup> (MIN = $0.25 \times B1 - 2.00$ )	5.60	—	4.30	—	3.00	—	1.80	—	ns
B30a	$\overline{WE}(0:3)/BS\_B[0:3]$ negated to A(0:31), BADDR(28:30) Invalid GPCM, write access, TRLX = 0, CSNT = 1, $\overline{CS}$ negated to A(0:31) invalid GPCM write access TRLX = 0, CSNT = 1 ACS = 10, or ACS = 11, EBDF = 0 (MIN = $0.50 \times B1 - 2.00$ )	13.20	—	10.50	—	8.00	—	5.60	—	ns

Table 9. Bus Operation Timings (continued)

Num	Characteristic	33 MHz		40 MHz		50 MHz		66 MHz		Unit
		Min	Max	Min	Max	Min	Max	Min	Max	
B30b	$\overline{WE}(0:3)/\overline{BS\_B}[0:3]$ negated to A(0:31) Invalid GPCM BADDR(28:30) invalid GPCM write access, $TRLX = 1$ , $CSNT = 1$ . $\overline{CS}$ negated to A(0:31) Invalid GPCM write access $TRLX = 1$ , $CSNT = 1$ , $ACS = 10$ , or $ACS == 11$ $EBDF = 0$ ( $MIN = 1.50 \times B1 - 2.00$ )	43.50	—	35.50	—	28.00	—	20.70	—	ns
B30c	$\overline{WE}(0:3)/\overline{BS\_B}[0:3]$ negated to A(0:31), BADDR(28:30) invalid GPCM write access, $TRLX = 0$ , $CSNT = 1$ . $\overline{CS}$ negated to A(0:31) invalid GPCM write access, $TRLX = 0$ , $CSNT = 1$ $ACS = 10$ , $ACS == 11$ , $EBDF = 1$ ( $MIN = 0.375 \times B1 - 3.00$ )	8.40	—	6.40	—	4.50	—	2.70	—	ns
B30d	$\overline{WE}(0:3)/\overline{BS\_B}[0:3]$ negated to A(0:31), BADDR(28:30) invalid GPCM write access $TRLX = 1$ , $CSNT = 1$ , $\overline{CS}$ negated to A(0:31) invalid GPCM write access $TRLX = 1$ , $CSNT = 1$ , $ACS = 10$ or $11$ , $EBDF = 1$	38.67	—	31.38	—	24.50	—	17.83	—	ns
B31	CLKOUT falling edge to $\overline{CS}$ valid - as requested by control bit CST4 in the corresponding word in the UPM ( $MAX = 0.00 \times B1 + 6.00$ )	1.50	6.00	1.50	6.00	1.50	6.00	1.50	6.00	ns
B31a	CLKOUT falling edge to $\overline{CS}$ valid - as requested by control bit CST1 in the corresponding word in the UPM ( $MAX = 0.25 \times B1 + 6.80$ )	7.60	14.30	6.30	13.00	5.00	11.80	3.80	10.50	ns
B31b	CLKOUT rising edge to $\overline{CS}$ valid - as requested by control bit CST2 in the corresponding word in the UPM ( $MAX = 0.00 \times B1 + 8.00$ )	1.50	8.00	1.50	8.00	1.50	8.00	1.50	8.00	ns
B31c	CLKOUT rising edge to $\overline{CS}$ valid- as requested by control bit CST3 in the corresponding word in the UPM ( $MAX = 0.25 \times B1 + 6.30$ )	7.60	13.80	6.30	12.50	5.00	11.30	3.80	10.00	ns
B31d	CLKOUT falling edge to $\overline{CS}$ valid, as requested by control bit CST1 in the corresponding word in the UPM $EBDF = 1$ ( $MAX = 0.375 \times B1 + 6.6$ )	13.30	18.00	11.30	16.00	9.40	14.10	7.60	12.30	ns
B32	CLKOUT falling edge to $\overline{BS}$ valid- as requested by control bit BST4 in the corresponding word in the UPM ( $MAX = 0.00 \times B1 + 6.00$ )	1.50	6.00	1.50	6.00	1.50	6.00	1.50	6.00	ns

**Table 9. Bus Operation Timings (continued)**

Num	Characteristic	33 MHz		40 MHz		50 MHz		66 MHz		Unit
		Min	Max	Min	Max	Min	Max	Min	Max	
B32a	CLKOUT falling edge to $\overline{BS}$ valid - as requested by control bit BST1 in the corresponding word in the UPM, EBDF = 0 (MAX = $0.25 \times B1 + 6.80$ )	7.60	14.30	6.30	13.00	5.00	11.80	3.80	10.50	ns
B32b	CLKOUT rising edge to $\overline{BS}$ valid - as requested by control bit BST2 in the corresponding word in the UPM (MAX = $0.00 \times B1 + 8.00$ )	1.50	8.00	1.50	8.00	1.50	8.00	1.50	8.00	ns
B32c	CLKOUT rising edge to $\overline{BS}$ valid - as requested by control bit BST3 in the corresponding word in the UPM (MAX = $0.25 \times B1 + 6.80$ )	7.60	14.30	6.30	13.00	5.00	11.80	3.80	10.50	ns
B32d	CLKOUT falling edge to $\overline{BS}$ valid- as requested by control bit BST1 in the corresponding word in the UPM, EBDF = 1 (MAX = $0.375 \times B1 + 6.60$ )	13.30	18.00	11.30	16.00	9.40	14.10	7.60	12.30	ns
B33	CLKOUT falling edge to $\overline{GPL}$ valid - as requested by control bit GxT4 in the corresponding word in the UPM (MAX = $0.00 \times B1 + 6.00$ )	1.50	6.00	1.50	6.00	1.50	6.00	1.50	6.00	ns
B33a	CLKOUT rising edge to $\overline{GPL}$ Valid - as requested by control bit GxT3 in the corresponding word in the UPM (MAX = $0.25 \times B1 + 6.80$ )	7.60	14.30	6.30	13.00	5.00	11.80	3.80	10.50	ns
B34	A(0:31), BADDR(28:30), and D(0:31) to $\overline{CS}$ valid - as requested by control bit CST4 in the corresponding word in the UPM (MIN = $0.25 \times B1 - 2.00$ )	5.60	—	4.30	—	3.00	—	1.80	—	ns
B34a	A(0:31), BADDR(28:30), and D(0:31) to $\overline{CS}$ valid - as requested by control bit CST1 in the corresponding word in the UPM (MIN = $0.50 \times B1 - 2.00$ )	13.20	—	10.50	—	8.00	—	5.60	—	ns
B34b	A(0:31), BADDR(28:30), and D(0:31) to $\overline{CS}$ valid - as requested by CST2 in the corresponding word in UPM (MIN = $0.75 \times B1 - 2.00$ )	20.70	—	16.70	—	13.00	—	9.40	—	ns
B35	A(0:31), BADDR(28:30) to $\overline{CS}$ valid - as requested by control bit BST4 in the corresponding word in the UPM (MIN = $0.25 \times B1 - 2.00$ )	5.60	—	4.30	—	3.00	—	1.80	—	ns
B35a	A(0:31), BADDR(28:30), and D(0:31) to $\overline{BS}$ valid - As Requested by BST1 in the corresponding word in the UPM (MIN = $0.50 \times B1 - 2.00$ )	13.20	—	10.50	—	8.00	—	5.60	—	ns

Table 9. Bus Operation Timings (continued)

Num	Characteristic	33 MHz		40 MHz		50 MHz		66 MHz		Unit
		Min	Max	Min	Max	Min	Max	Min	Max	
B35b	A(0:31), BADDR(28:30), and D(0:31) to $\overline{BS}$ valid - as requested by control bit BST2 in the corresponding word in the UPM (MIN = $0.75 \times B1 - 2.00$ )	20.70	—	16.70	—	13.00	—	9.40	—	ns
B36	A(0:31), BADDR(28:30), and D(0:31) to $\overline{GPL}$ valid as requested by control bit GxT4 in the corresponding word in the UPM (MIN = $0.25 \times B1 - 2.00$ )	5.60	—	4.30	—	3.00	—	1.80	—	ns
B37	UPWAIT valid to CLKOUT falling edge <sup>10</sup> (MIN = $0.00 \times B1 + 6.00$ )	6.00	—	6.00	—	6.00	—	6.00	—	ns
B38	CLKOUT falling edge to UPWAIT valid <sup>10</sup> (MIN = $0.00 \times B1 + 1.00$ )	1.00	—	1.00	—	1.00	—	1.00	—	ns
B39	$\overline{AS}$ valid to CLKOUT rising edge <sup>11</sup> (MIN = $0.00 \times B1 + 7.00$ )	7.00	—	7.00	—	7.00	—	7.00	—	ns
B40	A(0:31), TSIZ(0:1), RD/ $\overline{WR}$ , $\overline{BURST}$ , valid to CLKOUT rising edge (MIN = $0.00 \times B1 + 7.00$ )	7.00	—	7.00	—	7.00	—	7.00	—	ns
B41	$\overline{TS}$ valid to CLKOUT rising edge (setup time) (MIN = $0.00 \times B1 + 7.00$ )	7.00	—	7.00	—	7.00	—	7.00	—	ns
B42	CLKOUT rising edge to $\overline{TS}$ valid (hold time) (MIN = $0.00 \times B1 + 2.00$ )	2.00	—	2.00	—	2.00	—	2.00	—	ns
B43	$\overline{AS}$ negation to memory controller signals negation (MAX = TBD)	—	TBD	—	TBD	—	TBD	—	TBD	ns

<sup>1</sup> If the rate of change of the frequency of EXTAL is slow (that is, it does not jump between the minimum and maximum values in one cycle) or the frequency of the jitter is fast (that is, it does not stay at an extreme value for a long time), then the maximum allowed jitter on EXTAL can be up to 2%.

<sup>2</sup> For part speeds above 50MHz, use 9.80ns for B11a.

<sup>3</sup> The timing required for  $\overline{BR}$  input is relevant when the MPC852T is selected to work with internal bus arbiter. The timing for  $\overline{BG}$  input is relevant when the MPC852T is selected to work with external bus arbiter.

<sup>4</sup> For part speeds above 50MHz, use 2ns for B17.

<sup>5</sup> The D(0:31) and DP(0:3) input timings B18 and B19 refer to the rising edge of the CLKOUT in which the  $\overline{TA}$  input signal is asserted.

<sup>6</sup> For part speeds above 50MHz, use 2ns for B19.

<sup>7</sup> The D(0:31) and DP(0:3) input timings B20 and B21 refer to the falling edge of the CLKOUT. This timing is valid only for read accesses controlled by chip-selects under control of the UPM in the memory controller, for data beats where DLT3 = 1 in the UPM RAM words. (This is only the case where data is latched on the falling edge of CLKOUT.)

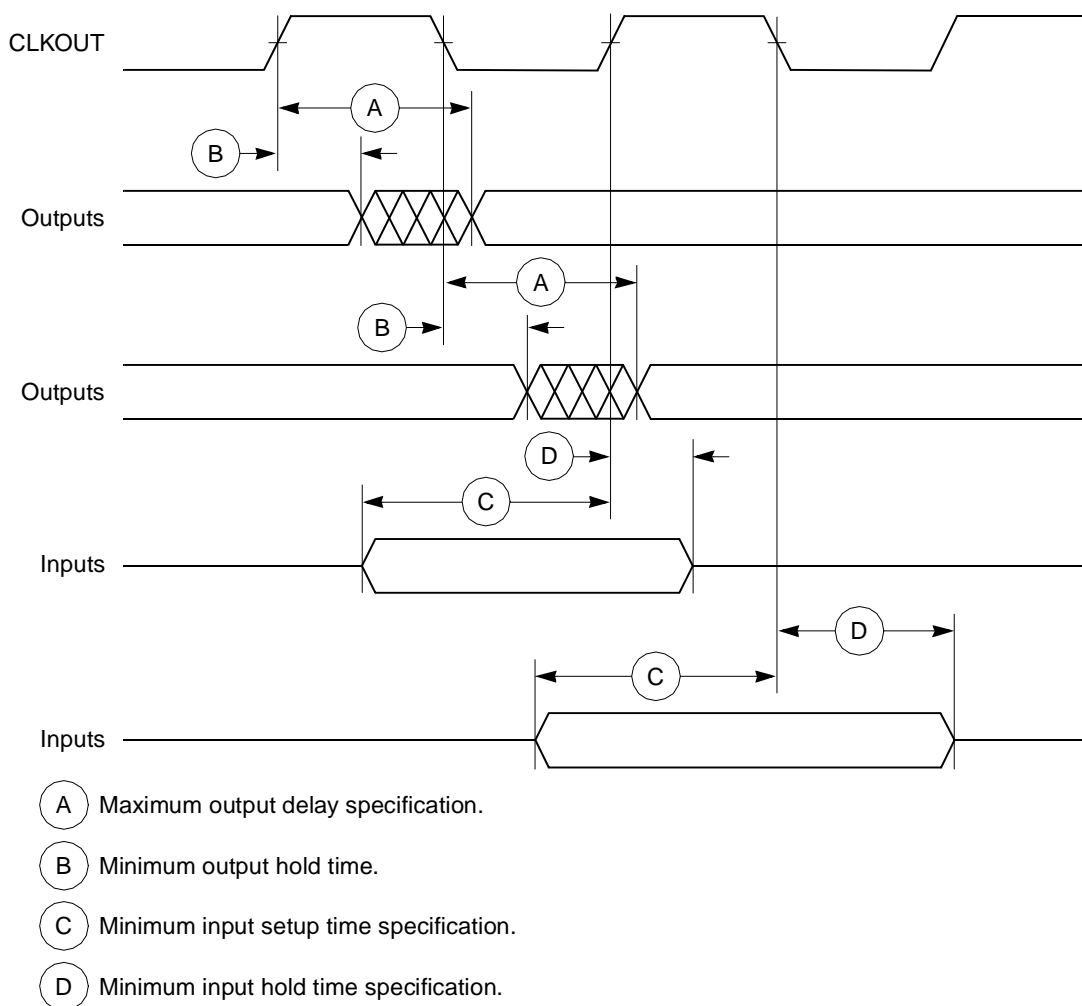
<sup>8</sup> This formula applies to bus operation up to 50 MHz.

<sup>9</sup> The timing B30 refers to  $\overline{CS}$  when ACS = 00 and to  $\overline{WE}(0:3)$  when CSNT = 0.

<sup>10</sup> The signal UPWAIT is considered asynchronous to the CLKOUT and synchronized internally. The timings specified in B37 and B38 are specified to enable the freeze of the UPM output signals as described in [Figure 19](#).

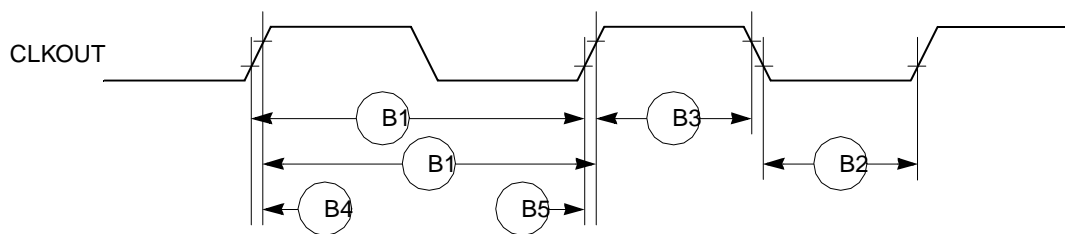
<sup>11</sup> The  $\overline{AS}$  signal is considered asynchronous to the CLKOUT. The timing B39 is specified in order to allow the behavior specified in [Figure 22](#).

Figure 4 is the control timing diagram.



**Figure 4. Control Timing**

Figure 5 provides the timing for the external clock.



**Figure 5. External Clock Timing**

Figure 6 provides the timing for the synchronous output signals.

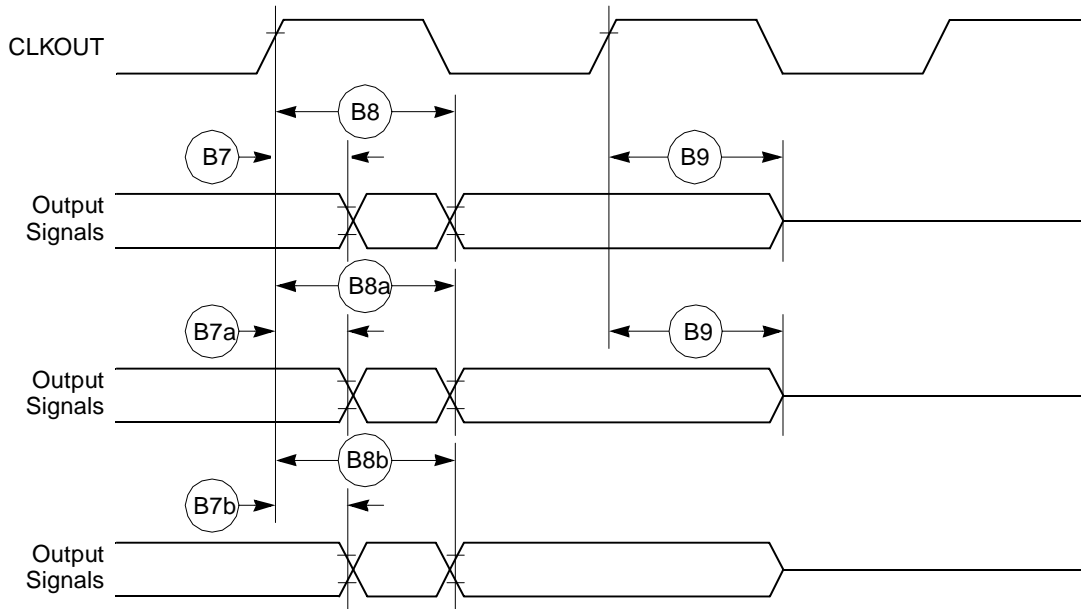


Figure 6. Synchronous Output Signals Timing

Figure 7 provides the timing for the synchronous active pull-up and open-drain output signals.

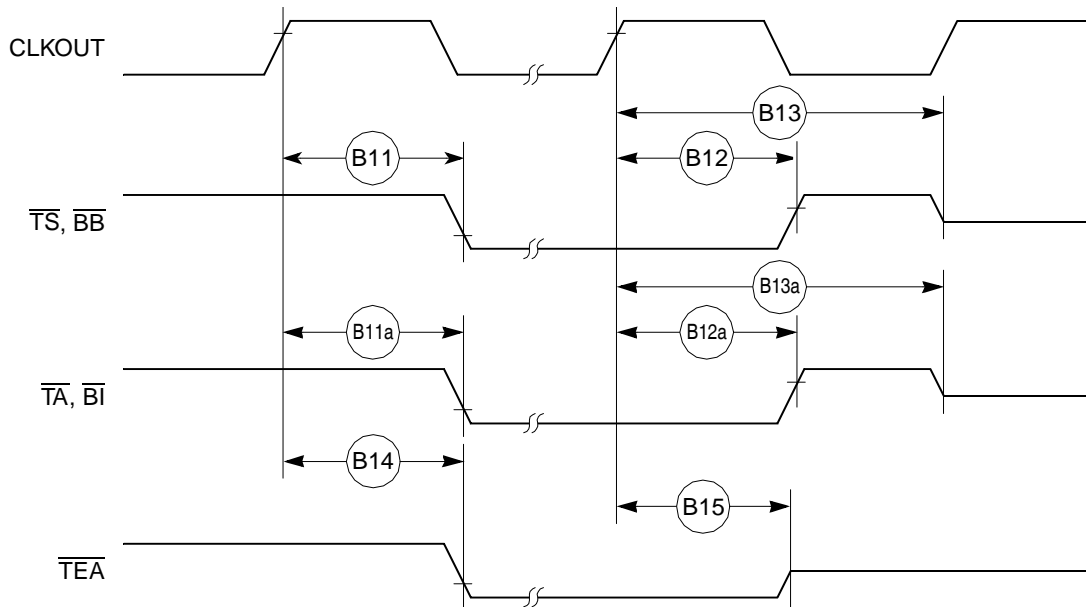


Figure 7. Synchronous Active Pull-Up Resistor and Open-Drain Outputs Signals Timing

Figure 8 provides the timing for the synchronous input signals.

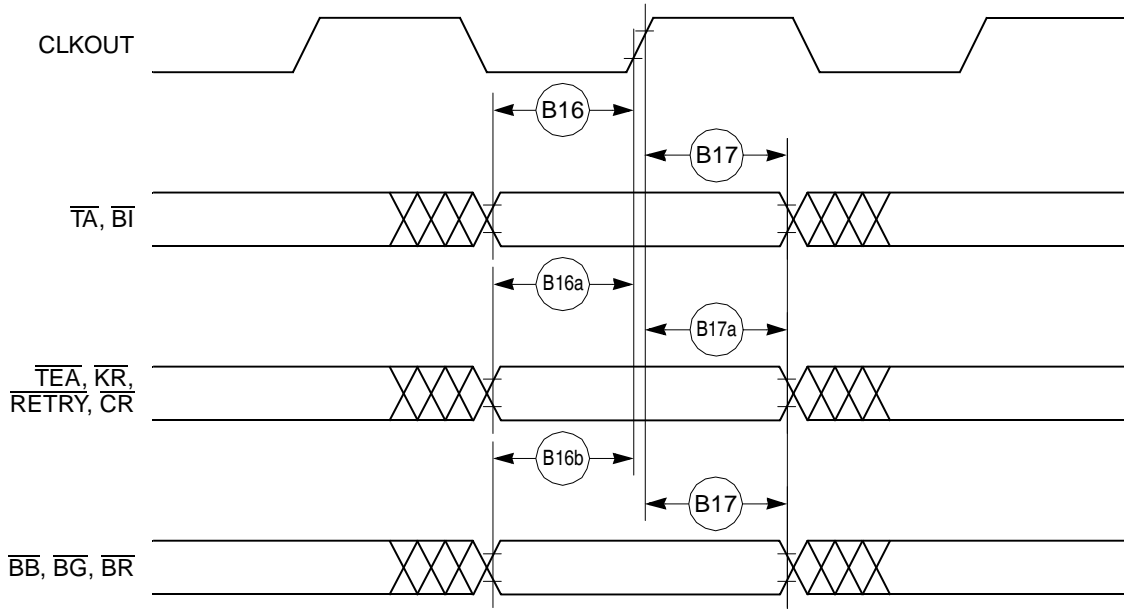


Figure 8. Synchronous Input Signals Timing

Figure 9 provides normal case timing for input data. It also applies to normal read accesses under the control of the UPM in the memory controller.

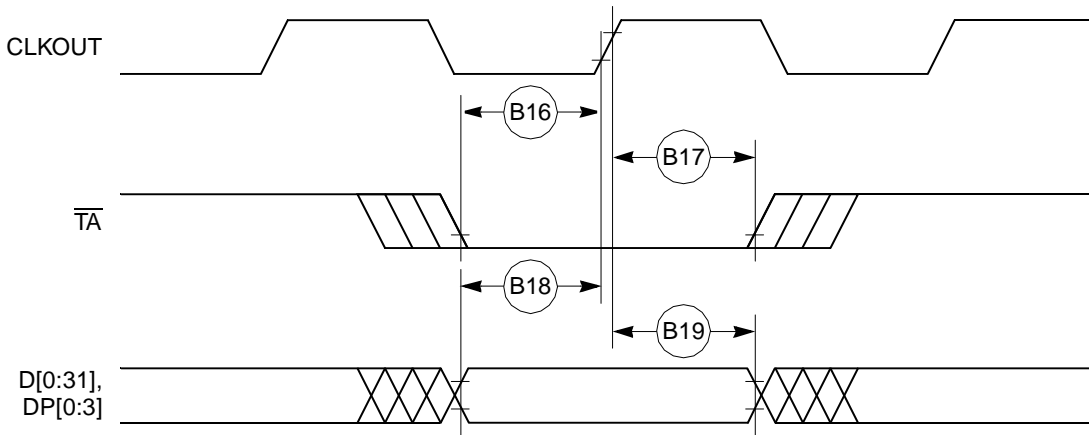


Figure 9. Input Data Timing in Normal Case



Figure 10 provides the timing for the input data controlled by the UPM for data beats where  $DLT3 = 1$  in the UPM RAM words. (This is only the case where data is latched on the falling edge of CLKOUT.)

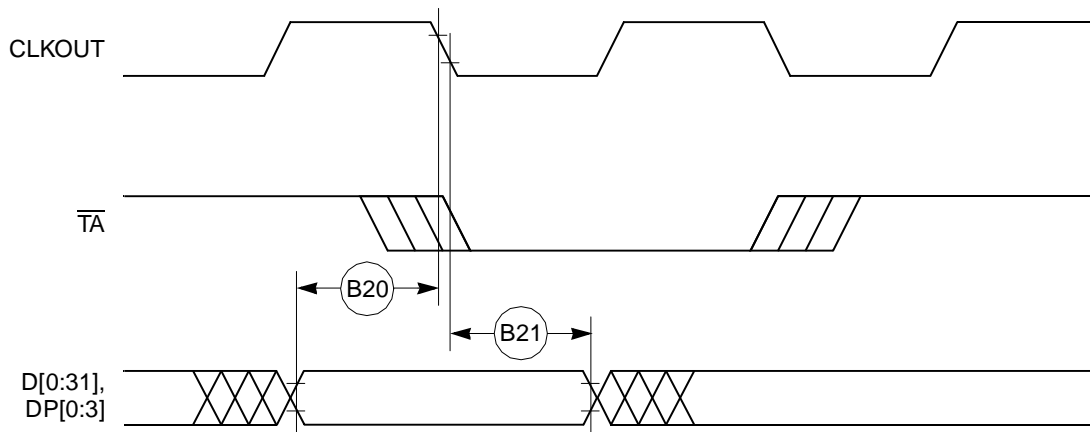


Figure 10. Input Data Timing When Controlled by UPM in the Memory Controller and  $DLT3 = 1$

Figure 11 through Figure 14 provide the timing for the external bus read that various GPCM factors control.

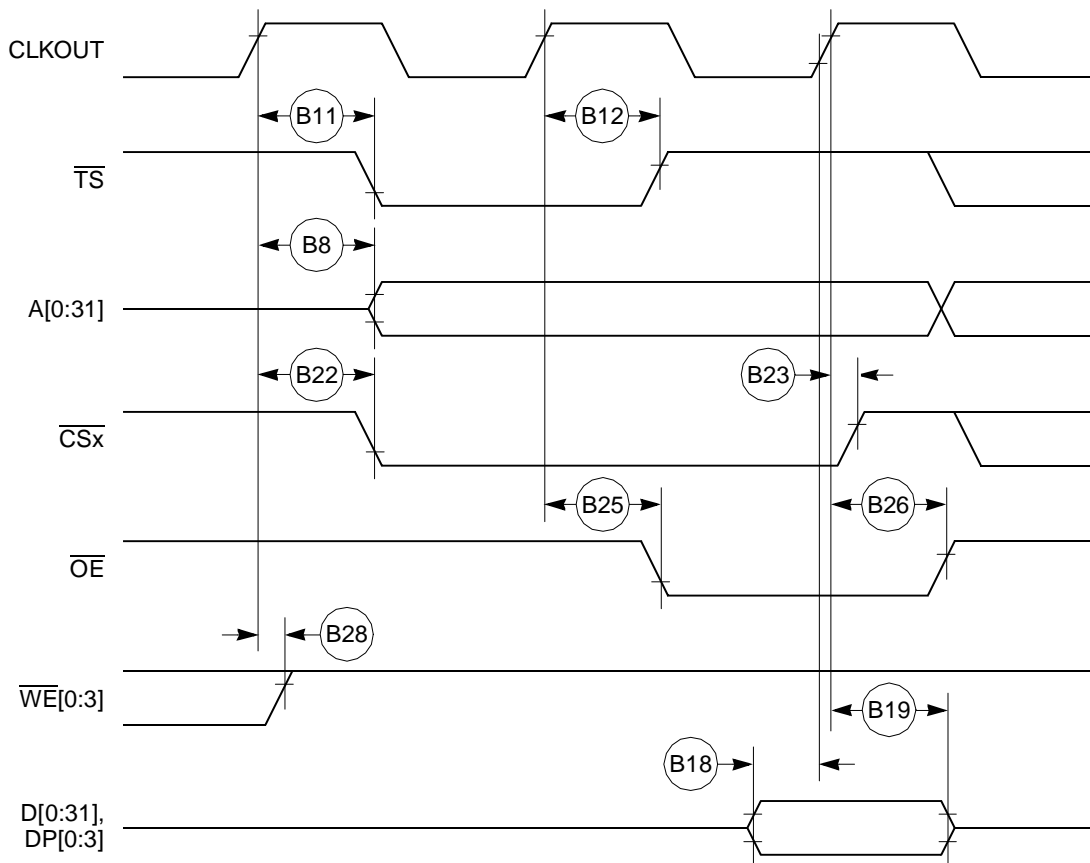


Figure 11. External Bus Read Timing (GPCM Controlled— $ACS = 00$ )

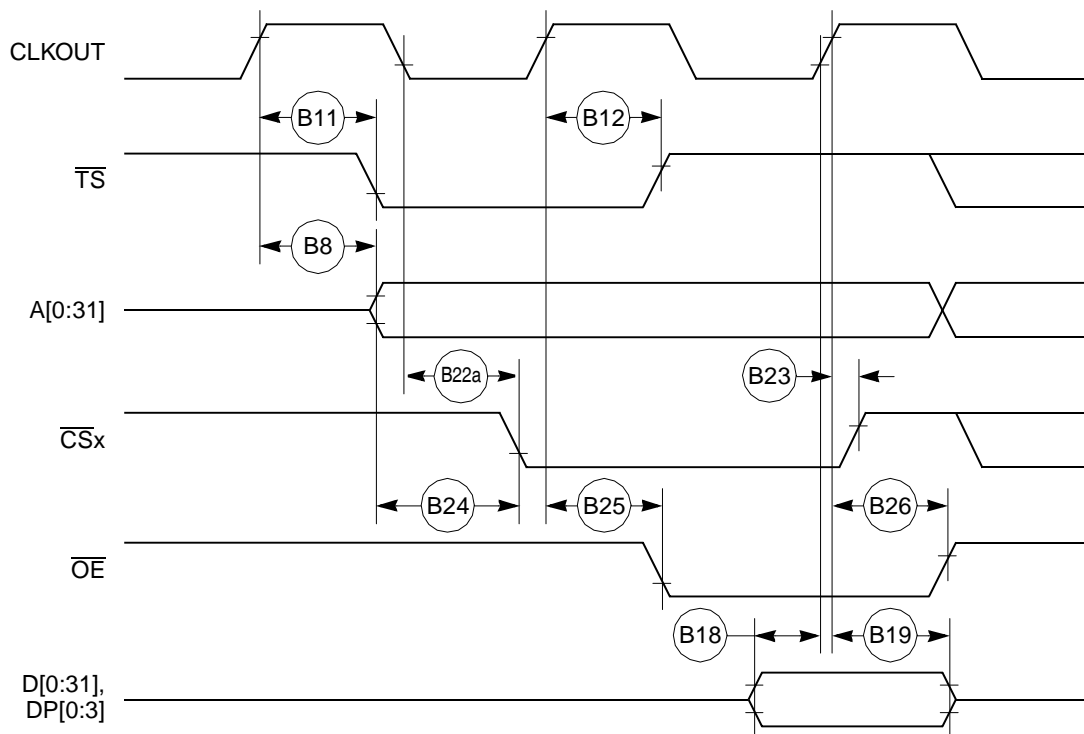


Figure 12. External Bus Read Timing (GPCM Controlled—TRLX = 0, ACS = 10)

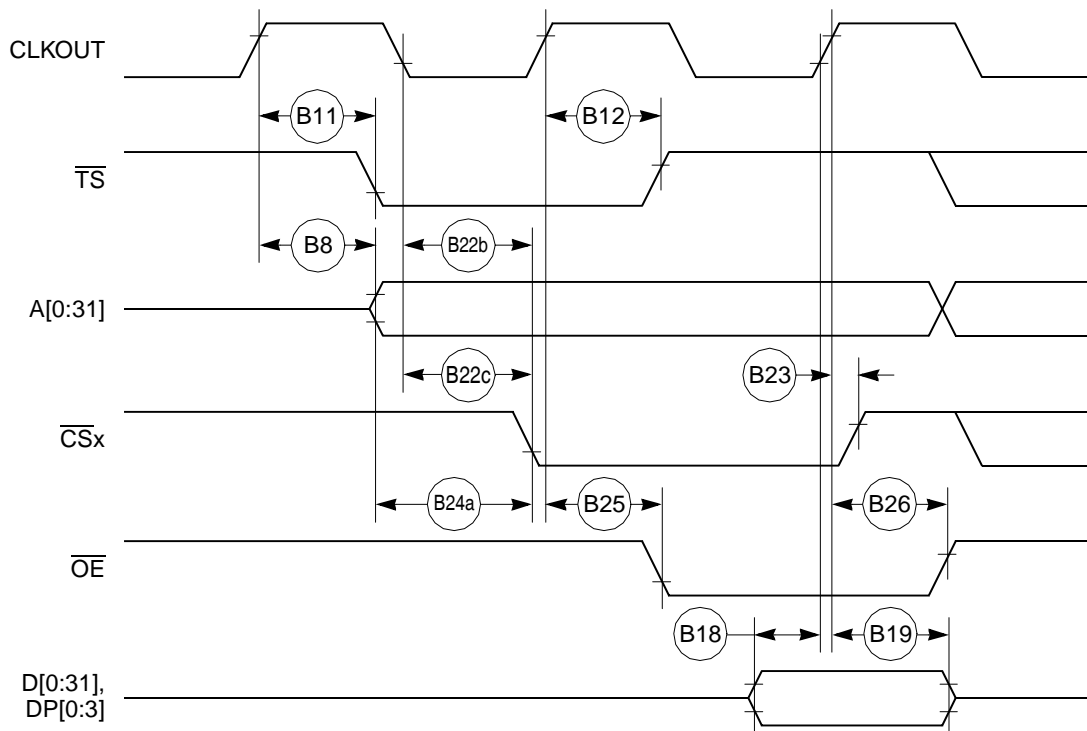


Figure 13. External Bus Read Timing (GPCM Controlled—TRLX = 0, ACS = 11)

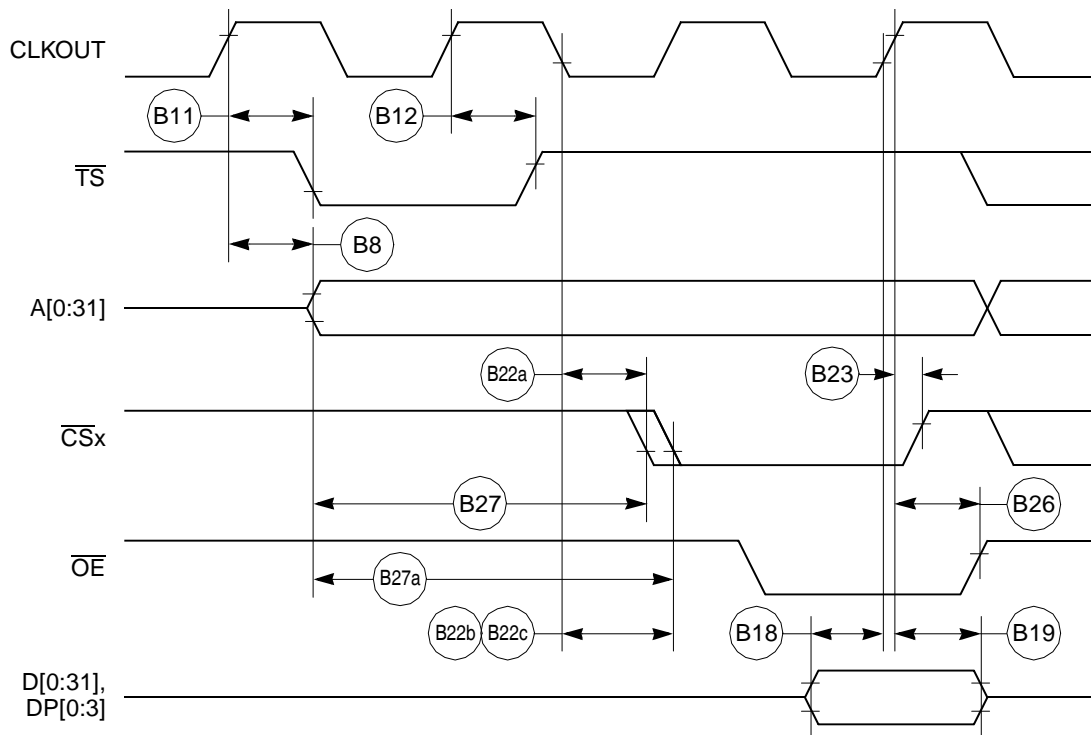


Figure 14. External Bus Read Timing (GPCM Controlled—TRLX = 0 or 1, ACS = 10, ACS = 11)

Figure 15 through Figure 17 provide the timing for the external bus write that various GPCM factors control.

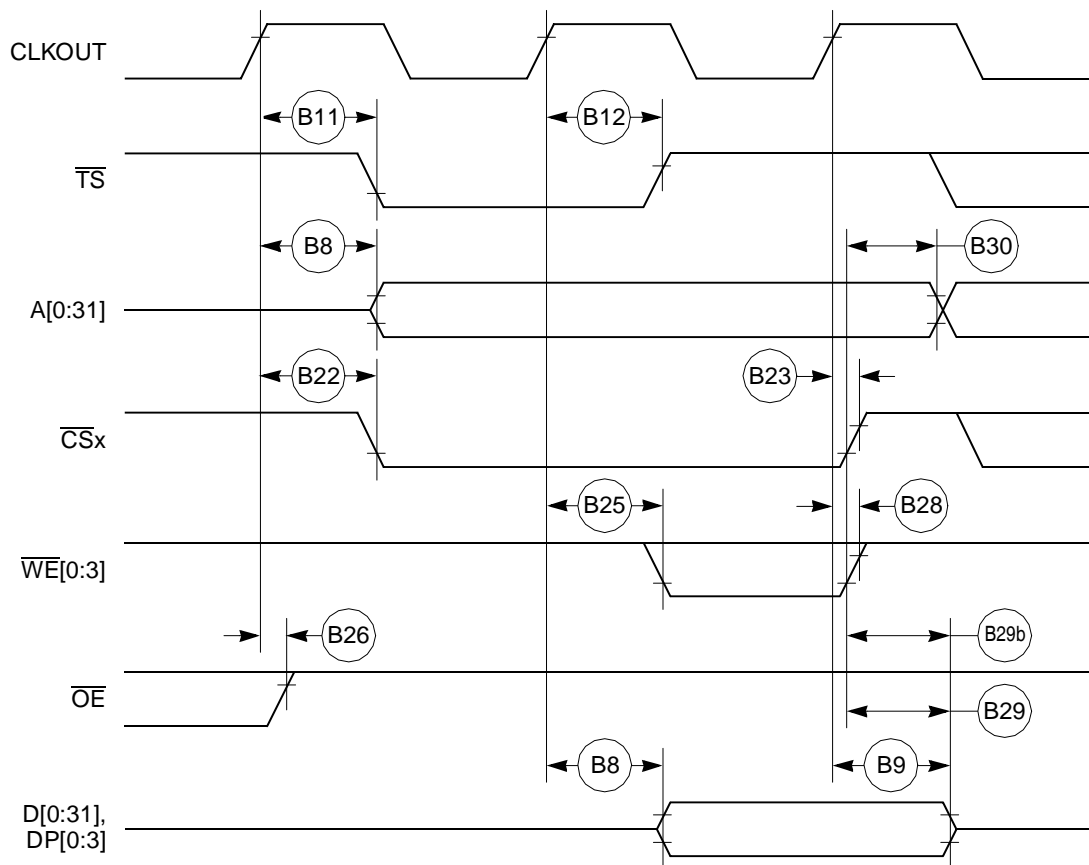
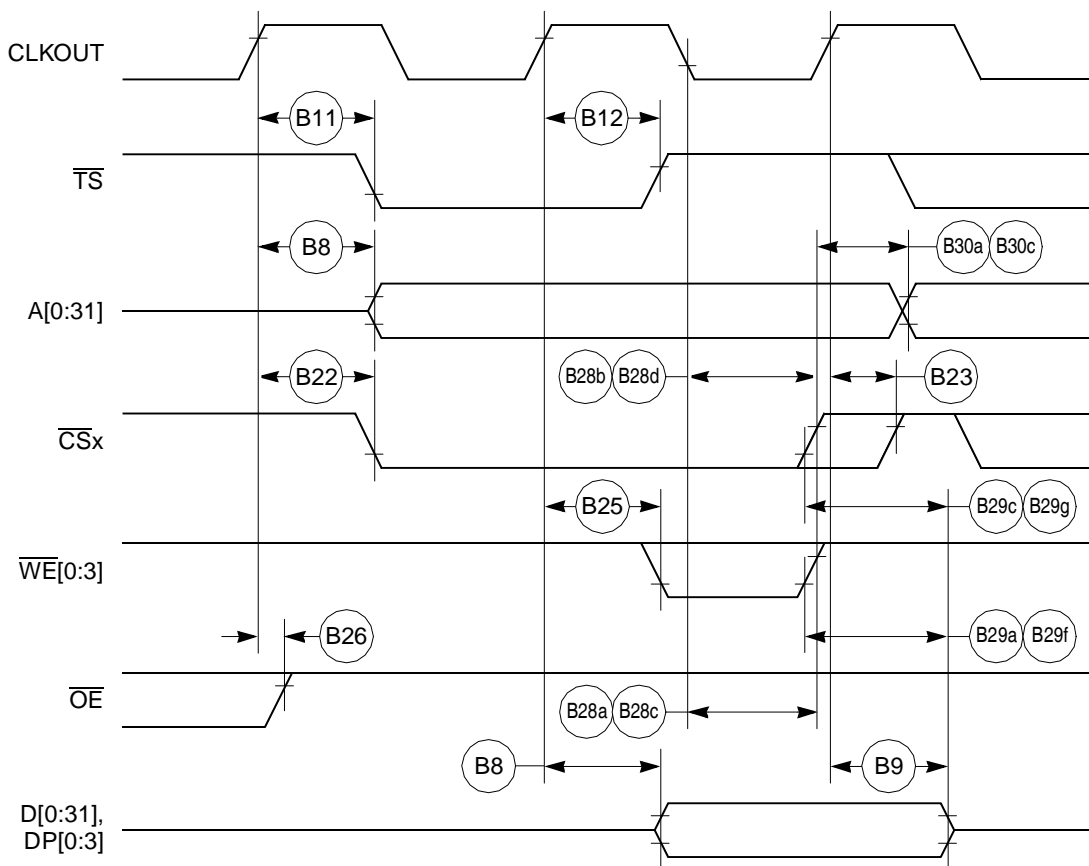


Figure 15. External Bus Write Timing (GPCM Controlled—TRLX = 0 or 1, CSNT = 0)



**Figure 16. External Bus Write Timing (GPCM Controlled—TRLX = 0 or 1, CSNT = 1)**

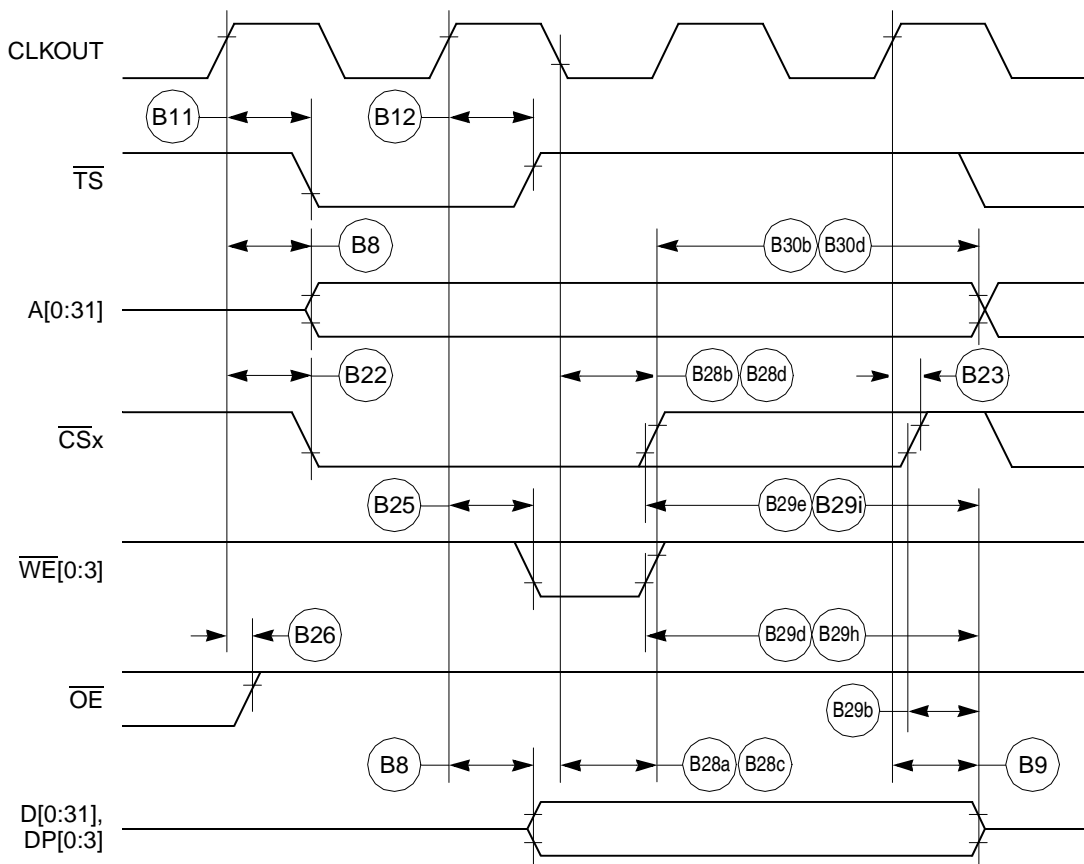


Figure 17. External Bus Write Timing (GPCM Controlled—TRLX = 0 or 1, CSNT = 1)

Figure 18 provides the timing for the external bus that the UPM controls.

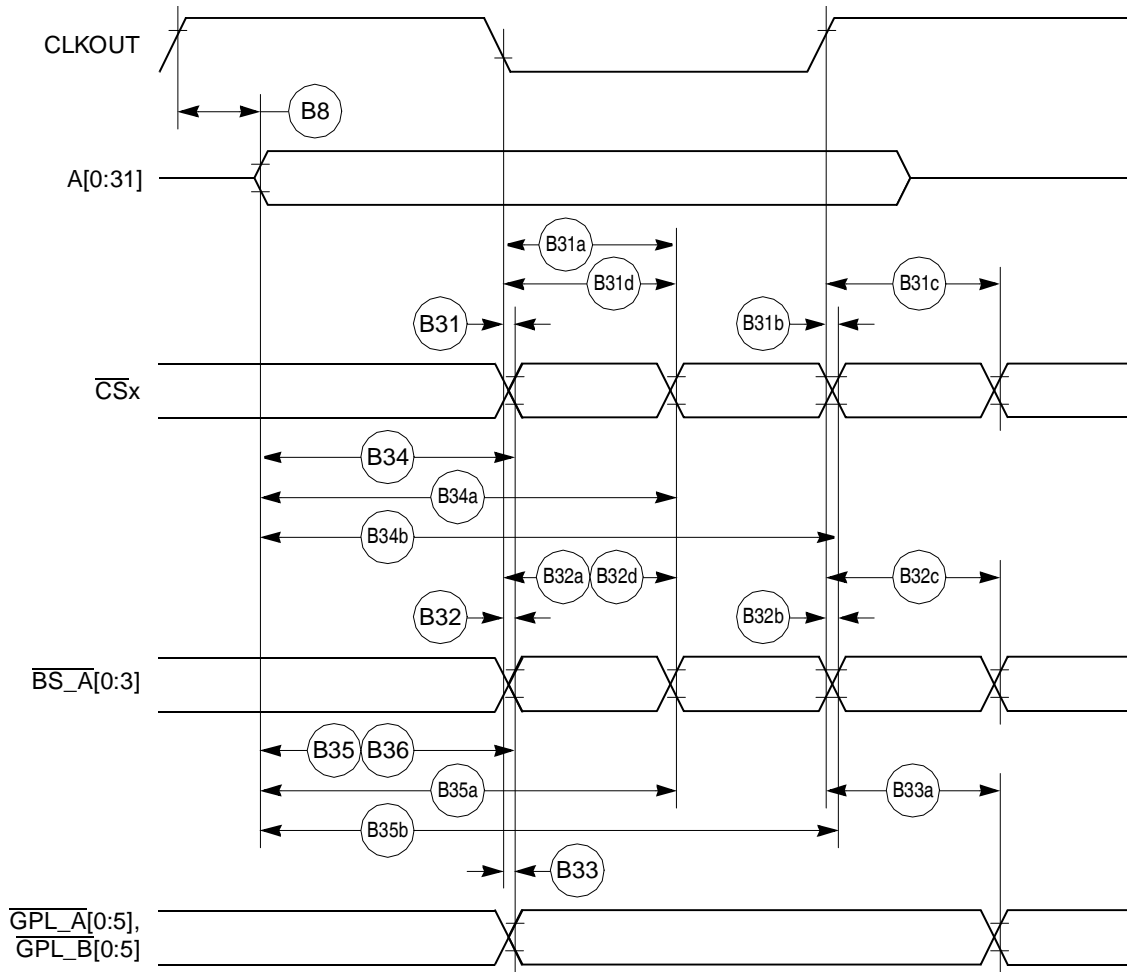


Figure 18. External Bus Timing (UPM Controlled Signals)

Figure 19 provides the timing for the asynchronous asserted UPWAIT signal that the UPM controls.

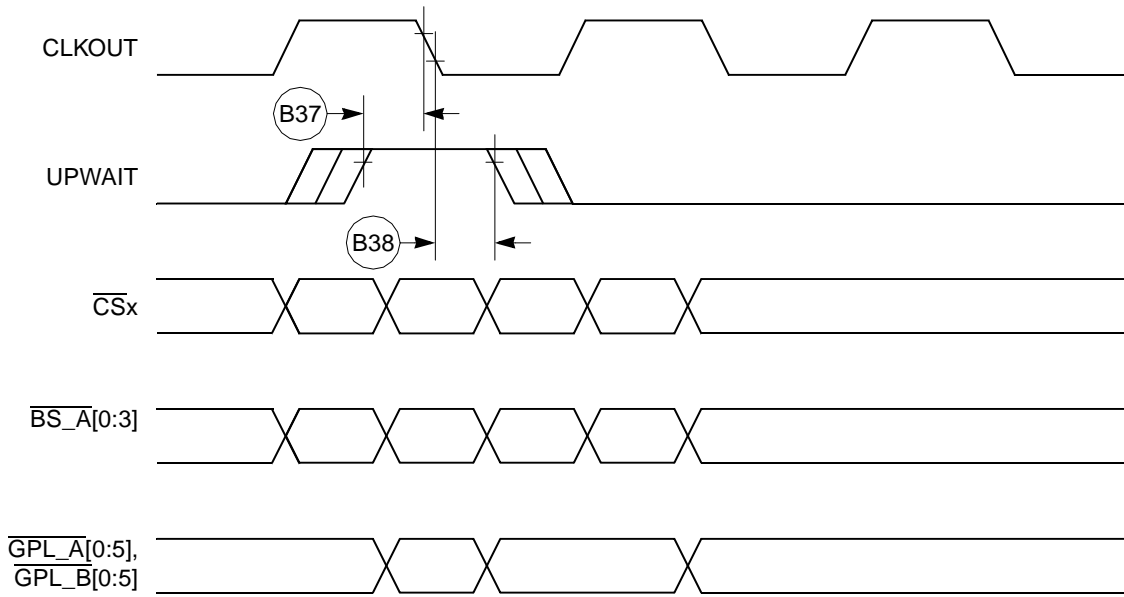


Figure 19. Asynchronous UPWAIT Asserted Detection in UPM Handled Cycles Timing

Figure 20 provides the timing for the asynchronous negated UPWAIT signal that the UPM controls.

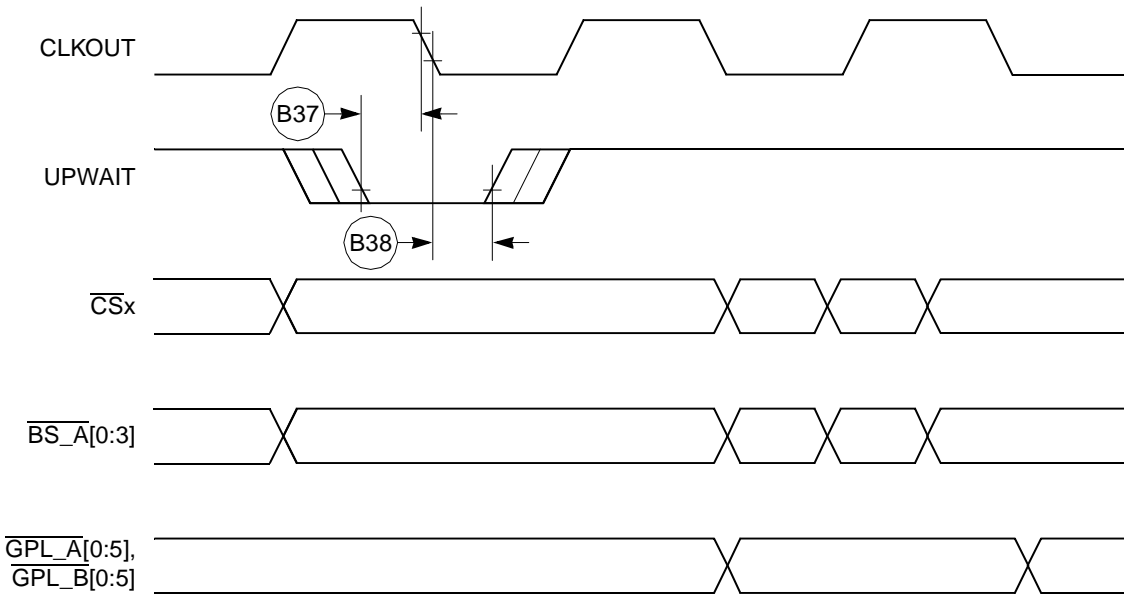


Figure 20. Asynchronous UPWAIT Negated Detection in UPM Handled Cycles Timing



Figure 21 provides the timing for the synchronous external master access that the GPCM controls.

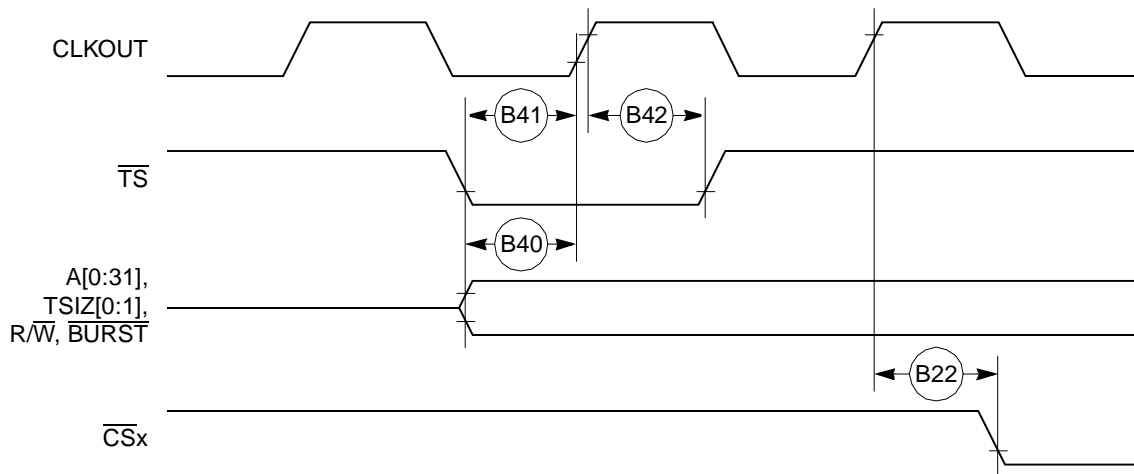


Figure 21. Synchronous External Master Access Timing (GPCM Handled ACS = 00)

Figure 22 provides the timing for the asynchronous external master memory access that the GPCM controls.

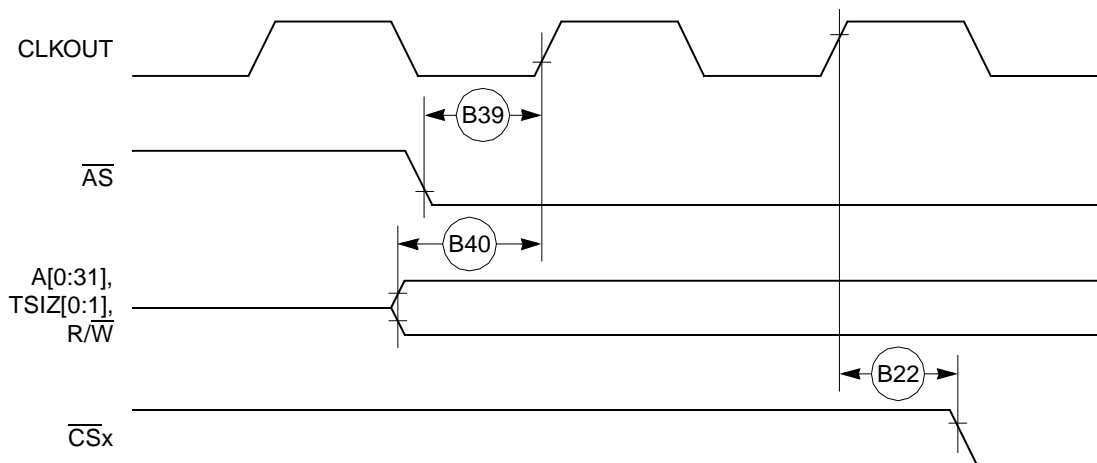


Figure 22. Asynchronous External Master Memory Access Timing (GPCM Controlled—ACS = 00)

Figure 23 provides the timing for the asynchronous external master control signals negation.

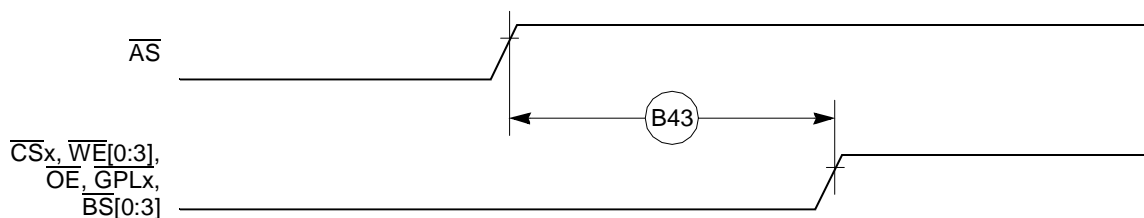


Figure 23. Asynchronous External Master—Control Signals Negation Timing

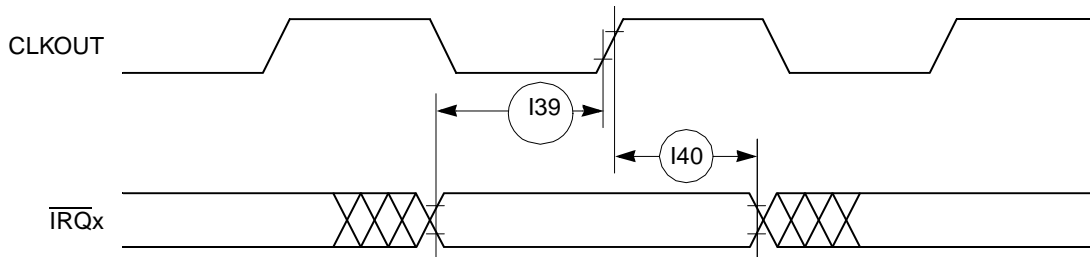
Table 10 provides interrupt timing for the MPC852T.

**Table 10. Interrupt Timing**

Num	Characteristic <sup>1</sup>	All Frequencies		Unit
		Min	Max	
I39	$\overline{\text{IRQ}}_x$ valid to CLKOUT rising edge (set up time)	6.00		ns
I40	$\overline{\text{IRQ}}_x$ hold time after CLKOUT	2.00		ns
I41	$\overline{\text{IRQ}}_x$ pulse width low	3.00		ns
I42	$\overline{\text{IRQ}}_x$ pulse width high	3.00		ns
I43	$\overline{\text{IRQ}}_x$ edge-to-edge time	$4 \times T_{\text{CLKOUT}}$		—

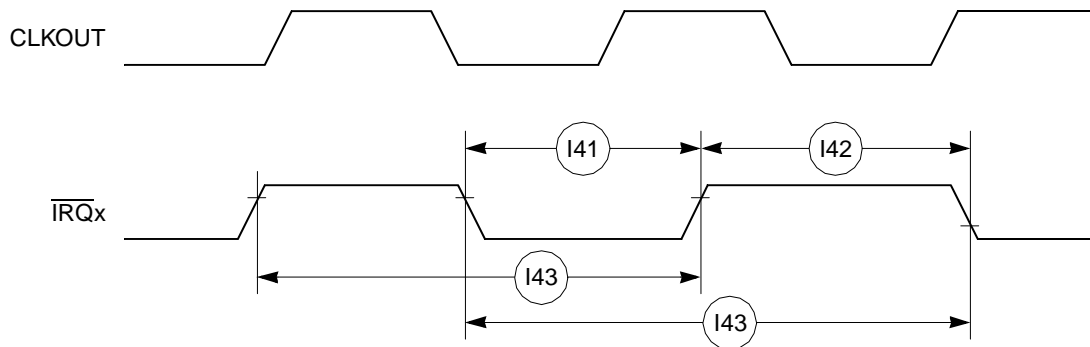
<sup>1</sup> The timings I39 and I40 describe the testing conditions under which the  $\overline{\text{IRQ}}$  lines are tested when being defined as level-sensitive. The  $\overline{\text{IRQ}}$  lines are synchronized internally and need not be asserted or negated with reference to the CLKOUT. The timings I41, I42, and I43 are specified to allow the correct function of the  $\overline{\text{IRQ}}$  lines detection circuitry, and have no direct relation with the total system interrupt latency that the MPC852T is able to support.

Figure 24 provides the interrupt detection timing for the external level-sensitive lines.



**Figure 24. Interrupt Detection Timing for External Level Sensitive Lines**

Figure 25 provides the interrupt detection timing for the external edge-sensitive lines.



**Figure 25. Interrupt Detection Timing for External Edge Sensitive Lines**

Table 11 shows the PCMCIA timing for the MPC852T.

Table 11. PCMCIA Timing

Num	Characteristic	33 MHz		40 MHz		50 MHz		66 MHz		Unit
		Min	Max	Min	Max	Min	Max	Min	Max	
J82	A(0:31), $\overline{\text{REG}}$ valid to PCMCIA Strobe asserted. <sup>1</sup> (MIN = $0.75 \times B1 - 2.00$ )	20.70	—	16.70	—	13.00	—	9.40	—	ns
J83	A(0:31), $\overline{\text{REG}}$ valid to ALE negation. <sup>1</sup> (MIN = $1.00 \times B1 - 2.00$ )	28.30	—	23.00	—	18.00	—	13.20	—	ns
J84	CLKOUT to $\overline{\text{REG}}$ valid (MAX = $0.25 \times B1 + 8.00$ )	7.60	15.60	6.30	14.30	5.00	13.00	3.80	11.80	ns
J85	CLKOUT to $\overline{\text{REG}}$ Invalid. (MIN = $0.25 \times B1 + 1.00$ )	8.60	—	7.30	—	6.00	—	4.80	—	ns
J86	CLKOUT to $\overline{\text{CE1}}$ , $\overline{\text{CE2}}$ asserted. (MAX = $0.25 \times B1 + 8.00$ )	7.60	15.60	6.30	14.30	5.00	13.00	3.80	11.80	ns
J87	CLKOUT to $\overline{\text{CE1}}$ , $\overline{\text{CE2}}$ negated. (MAX = $0.25 \times B1 + 8.00$ )	7.60	15.60	6.30	14.30	5.00	13.00	3.80	11.80	ns
J88	CLKOUT to $\overline{\text{PCOE}}$ , $\overline{\text{IORD}}$ , $\overline{\text{PCWE}}$ , $\overline{\text{IOWR}}$ assert time. (MAX = $0.00 \times B1 + 11.00$ )	—	11.00	—	11.00	—	11.00	—	11.00	ns
J89	CLKOUT to $\overline{\text{PCOE}}$ , $\overline{\text{IORD}}$ , $\overline{\text{PCWE}}$ , $\overline{\text{IOWR}}$ negate time. (MAX = $0.00 \times B1 + 11.00$ )	2.00	11.00	2.00	11.00	2.00	11.00	2.00	11.00	ns
J90	CLKOUT to ALE assert time (MAX = $0.25 \times B1 + 6.30$ )	7.60	13.80	6.30	12.50	5.00	11.30	3.80	10.00	ns
J91	CLKOUT to ALE negate time (MAX = $0.25 \times B1 + 8.00$ )	—	15.60	—	14.30	—	13.00	—	11.80	ns
J92	$\overline{\text{PCWE}}$ , $\overline{\text{IOWR}}$ negated to D(0:31) invalid. <sup>1</sup> (MIN = $0.25 \times B1 - 2.00$ )	5.60	—	4.30	—	3.00	—	1.80	—	ns
J93	$\overline{\text{WAITA}}$ and $\overline{\text{WAITB}}$ valid to CLKOUT rising edge. <sup>1</sup> (MIN = $0.00 \times B1 + 8.00$ )	8.00	—	8.00	—	8.00	—	8.00	—	ns
J94	CLKOUT rising edge to $\overline{\text{WAITA}}$ and $\overline{\text{WAITB}}$ invalid. <sup>1</sup> (MIN = $0.00 \times B1 + 2.00$ )	2.00	—	2.00	—	2.00	—	2.00	—	ns

<sup>1</sup> PSST = 1. Otherwise add PSST times cycle time.  
 PSHT = 0. Otherwise add PSHT times cycle time.

These synchronous timings define when the  $\overline{\text{WAITA}}$  signals are detected in order to freeze (or relieve) the PCMCIA current cycle. The  $\overline{\text{WAITA}}$  assertion is effective only if it is detected 2 cycles before the PSL timer expiration. See the PCMCIA Interface section in the *MPC866 PowerQUICC™ Family Reference Manual*.

Figure 26 provides the PCMCIA access cycle timing for the external bus read.

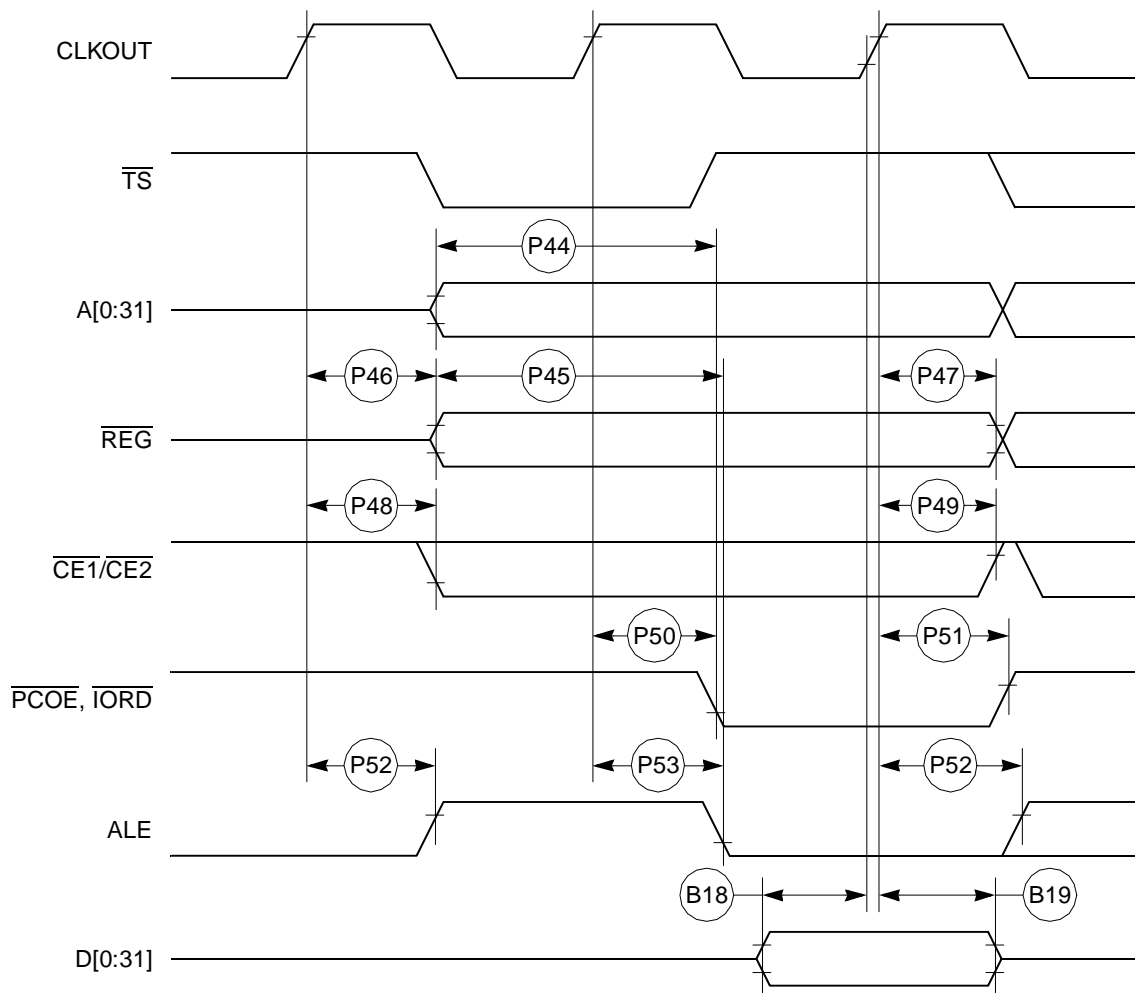


Figure 26. PCMCIA Access Cycles Timing External Bus Read

Figure 27 provides the PCMCIA access cycle timing for the external bus write.

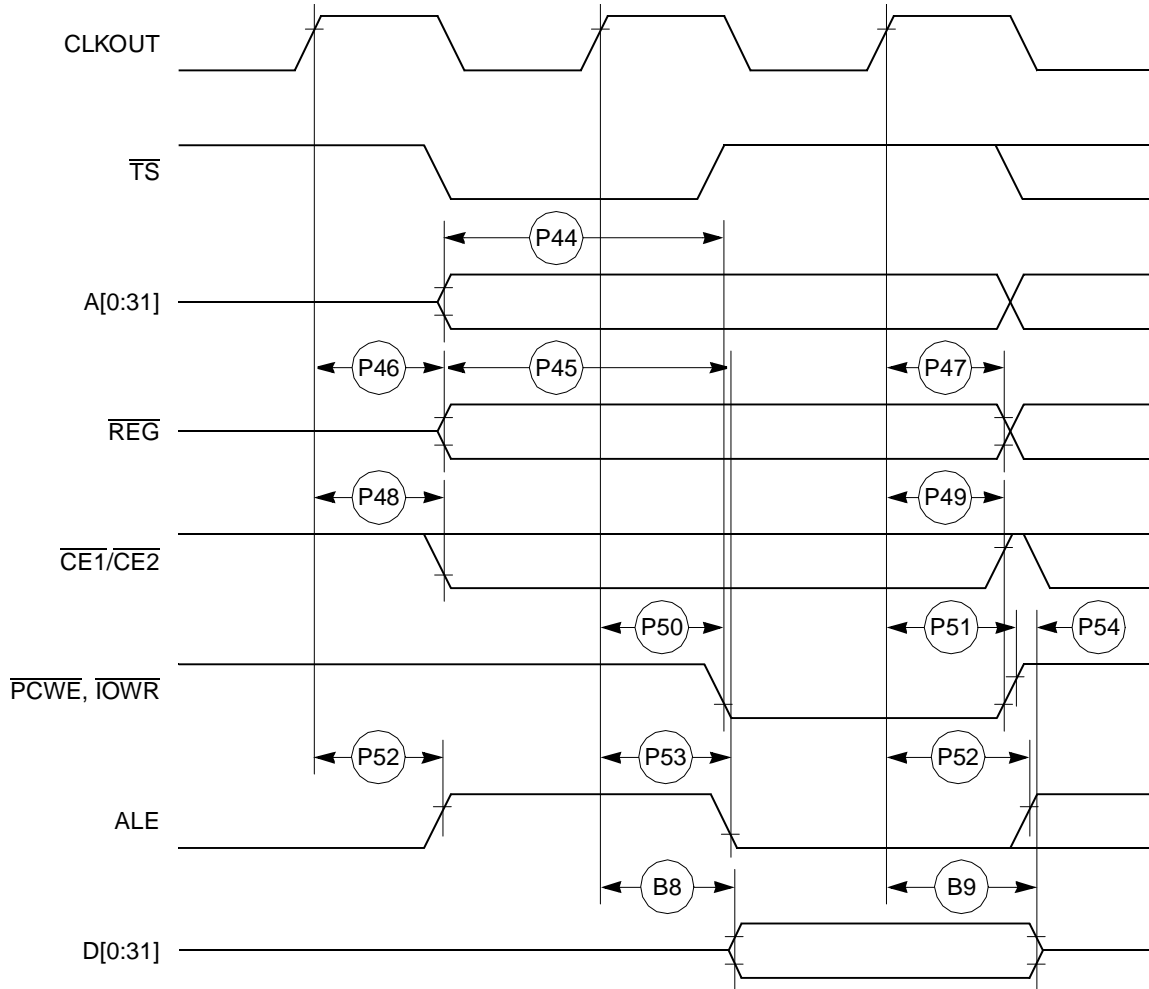


Figure 27. PCMCIA Access Cycles Timing External Bus Write

Figure 28 provides the PCMCIA  $\overline{\text{WAIT}}$  signals detection timing.

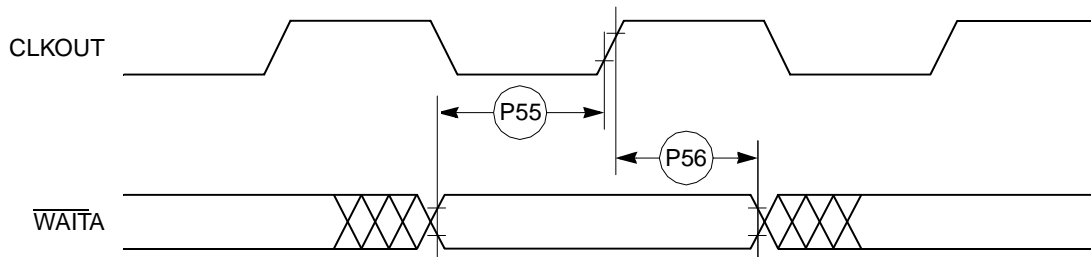


Figure 28. PCMCIA  $\overline{\text{WAIT}}$  Signals Detection Timing

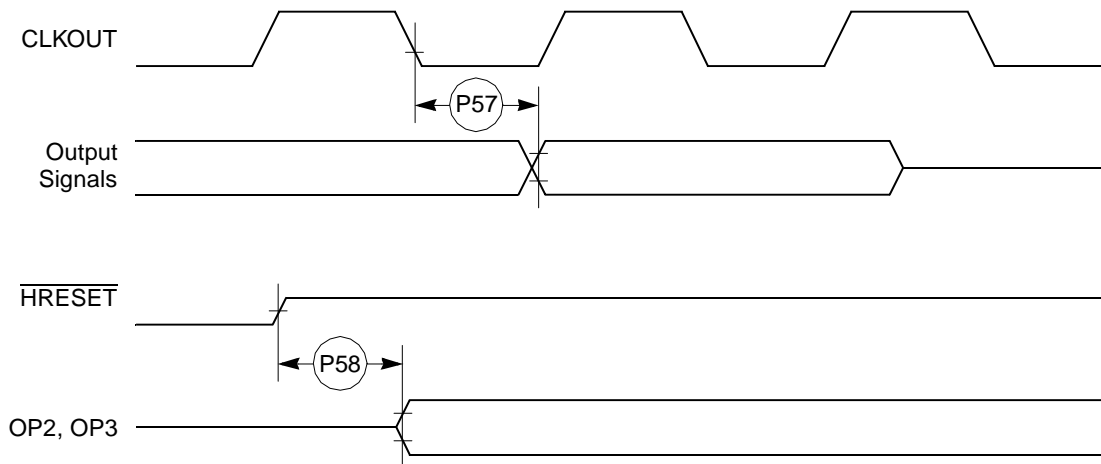
Table 12 shows the PCMCIA port timing for the MPC852T.

**Table 12. PCMCIA Port Timing**

Num	Characteristic	33 MHz		40 MHz		50 MHz		66 MHz		Unit
		Min	Max	Min	Max	Min	Max	Min	Max	
J95	CLKOUT to OPx Valid (MAX = $0.00 \times B1 + 19.00$ )	—	19.00	—	19.00	—	19.00	—	19.00	ns
J96	$\overline{\text{HRESET}}$ negated to OPx drive <sup>1</sup> (MIN = $0.75 \times B1 + 3.00$ )	25.70	—	21.70	—	18.00	—	14.40	—	ns
J97	IP_Xx valid to CLKOUT rising edge (MIN = $0.00 \times B1 + 5.00$ )	5.00	—	5.00	—	5.00	—	5.00	—	ns
J98	CLKOUT rising edge to IP_Xx invalid (MIN = $0.00 \times B1 + 1.00$ )	1.00	—	1.00	—	1.00	—	1.00	—	ns

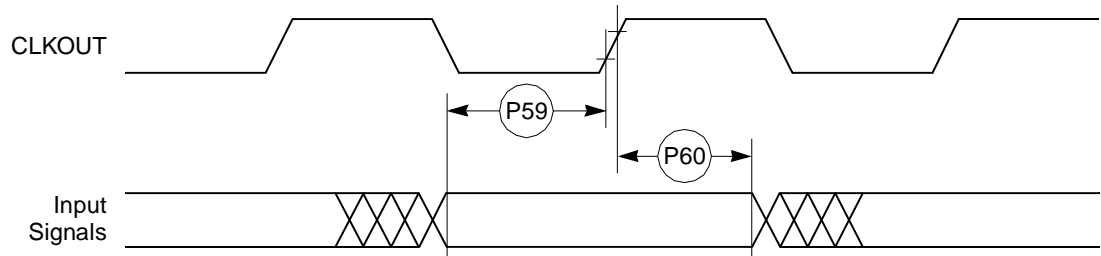
<sup>1</sup> OP2 and OP3 only.

Figure 29 provides the PCMCIA output port timing for the MPC852T.



**Figure 29. PCMCIA Output Port Timing**

Figure 30 provides the PCMCIA output port timing for the MPC852T.



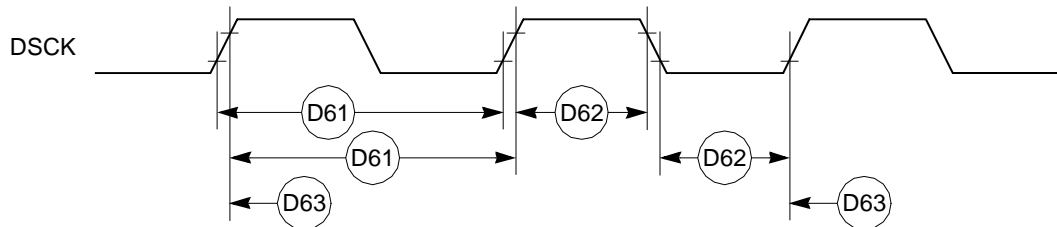
**Figure 30. PCMCIA Input Port Timing**

Table 13 shows the debug port timing for the MPC852T.

**Table 13. Debug Port Timing**

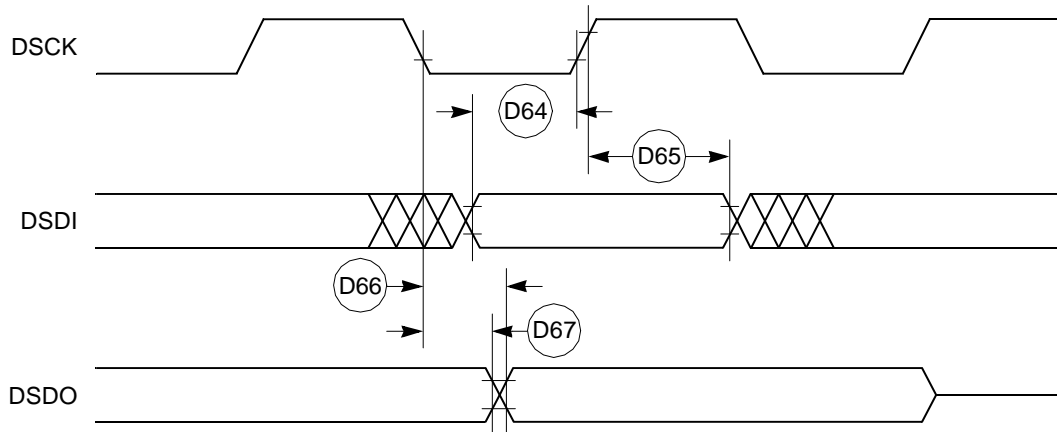
Num	Characteristic	All Frequencies		Unit
		Min	Max	
J82	DSCK cycle time	$3 \times T_{\text{CLOCKOUT}}$	—	—
J83	DSCK clock pulse width	$1.25 \times T_{\text{CLOCKOUT}}$	—	—
J84	DSCK rise and fall times	0.00	3.00	ns
J85	DSDI input data setup time	8.00	—	ns
J86	DSDI data hold time	5.00	—	ns
J87	DSCK low to DSDO data valid	0.00	15.00	ns
J88	DSCK low to DSDO invalid	0.00	2.00	ns

Figure 31 provides the input timing for the debug port clock.



**Figure 31. Debug Port Clock Input Timing**

Figure 32 provides the timing for the debug port.



**Figure 32. Debug Port Timings**

Table 14 shows the reset timing for the MPC852T.

**Table 14. Reset Timing**

Num	Characteristic	33 MHz		40 MHz		50 MHz		66 MHz		Unit
		Min	Max	Min	Max	Min	Max	Min	Max	
J82	CLKOUT to $\overline{\text{HRESET}}$ high impedance (MAX = $0.00 \times B1 + 20.00$ )	—	20.00	—	20.00	—	20.00	—	20.00	ns
J83	CLKOUT to $\overline{\text{SRESET}}$ high impedance (MAX = $0.00 \times B1 + 20.00$ )	—	20.00	—	20.00	—	20.00	—	20.00	ns
J84	$\overline{\text{RSTCONF}}$ pulse width (MIN = $17.00 \times B1$ )	515.20	—	425.00	—	340.00	—	257.60	—	ns
J85	—	—	—	—	—	—	—	—	—	—
J86	Configuration data to HRESET rising edge set up time (MIN = $15.00 \times B1 + 50.00$ )	504.50	—	425.00	—	350.00	—	277.30	—	ns
J87	Configuration data to $\overline{\text{RSTCONF}}$ rising edge set up time (MIN = $0.00 \times B1 + 350.00$ )	350.00	—	350.00	—	350.00	—	350.00	—	ns
J88	Configuration data hold time after $\overline{\text{RSTCONF}}$ negation (MIN = $0.00 \times B1 + 0.00$ )	0.00	—	0.00	—	0.00	—	0.00	—	ns
J89	Configuration data hold time after $\overline{\text{HRESET}}$ negation (MIN = $0.00 \times B1 + 0.00$ )	0.00	—	0.00	—	0.00	—	0.00	—	ns
J90	$\overline{\text{HRESET}}$ and $\overline{\text{RSTCONF}}$ asserted to data out drive (MAX = $0.00 \times B1 + 25.00$ )	—	25.00	—	25.00	—	25.00	—	25.00	ns
J91	$\overline{\text{RSTCONF}}$ negated to data out high impedance. (MAX = $0.00 \times B1 + 25.00$ )	—	25.00	—	25.00	—	25.00	—	25.00	ns
J92	CLKOUT of last rising edge before chip three-states $\overline{\text{HRESET}}$ to data out high impedance. (MAX = $0.00 \times B1 + 25.00$ )	—	25.00	—	25.00	—	25.00	—	25.00	ns
J93	DSDI, DSCK set up (MIN = $3.00 \times B1$ )	90.90	—	75.00	—	60.00	—	45.50	—	ns
J94	DSDI, DSCK hold time (MIN = $0.00 \times B1 + 0.00$ )	0.00	—	0.00	—	0.00	—	0.00	—	ns
J95	$\overline{\text{SRESET}}$ negated to CLKOUT rising edge for DSDI and DSCK sample (MIN = $8.00 \times B1$ )	242.40	—	200.00	—	160.00	—	121.20	—	ns



Figure 33 shows the reset timing for the data bus configuration.

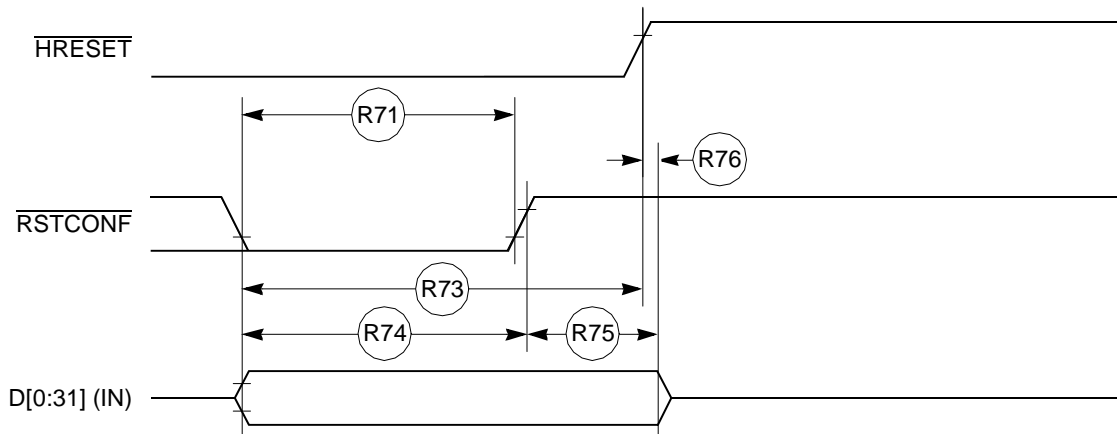


Figure 33. Reset Timing—Configuration from Data Bus

Figure 34 provides the reset timing for the data bus weak drive during configuration.

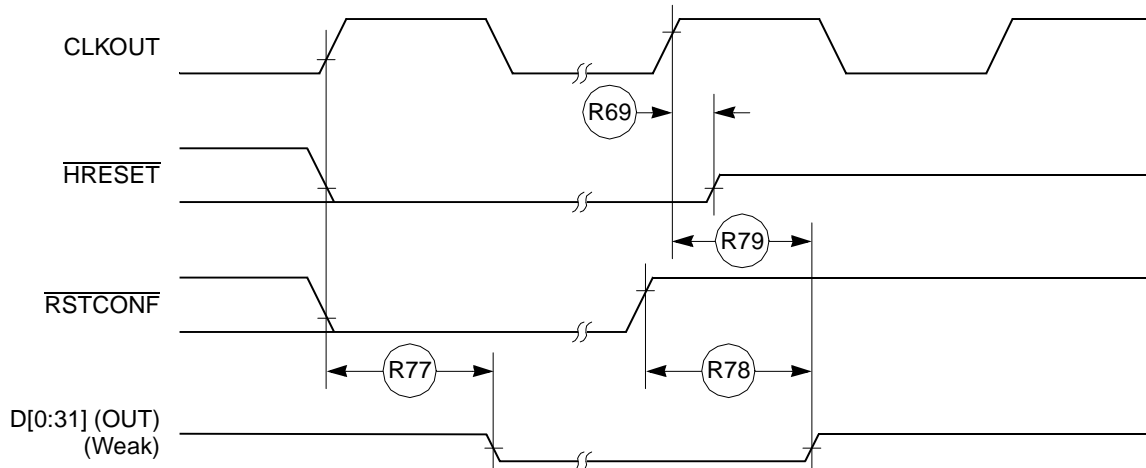


Figure 34. Reset Timing—Data Bus Weak Drive During Configuration

Figure 35 provides the reset timing for the debug port configuration.

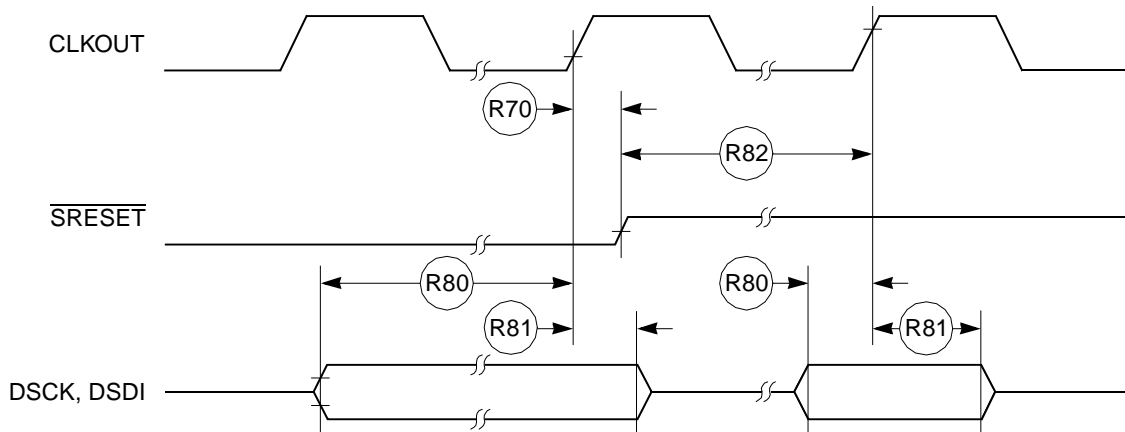


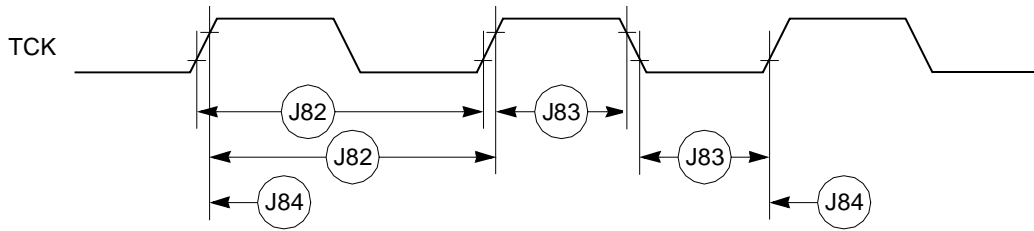
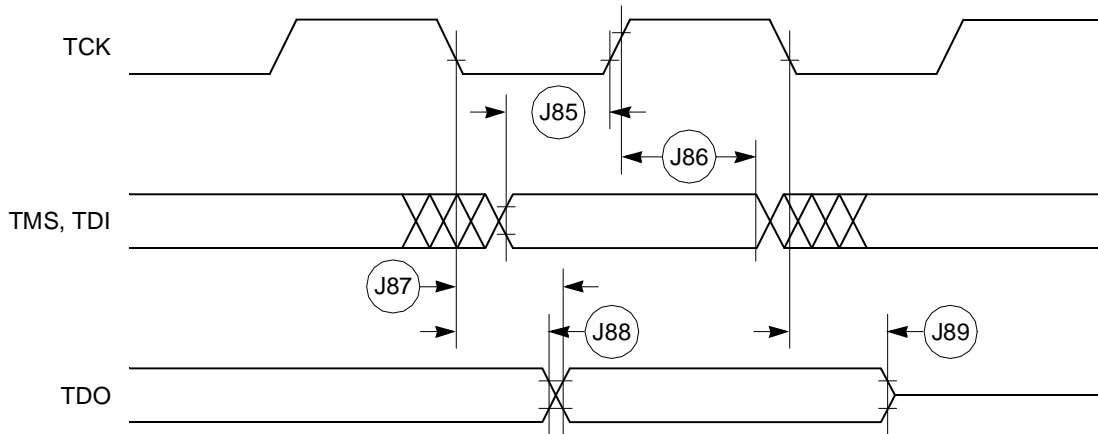
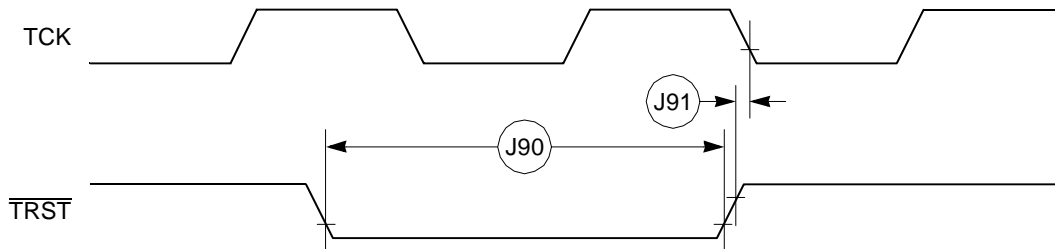
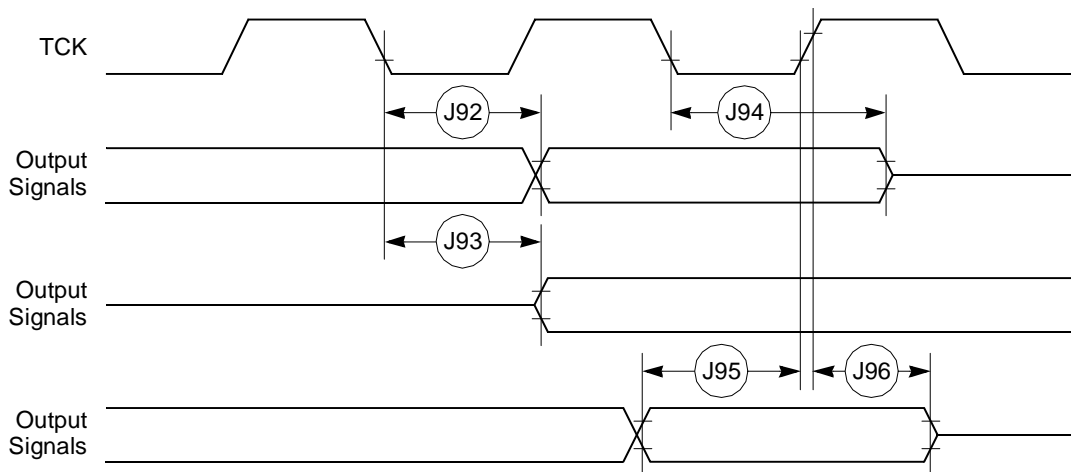
Figure 35. Reset Timing—Debug Port Configuration

### 13 IEEE 1149.1 Electrical Specifications

Table 15 provides the JTAG timings for the MPC852T shown in Figure 36 through Figure 39.

Table 15. JTAG Timing

Num	Characteristic	All Frequencies		Unit
		Min	Max	
J82	TCK cycle time	100.00	—	ns
J83	TCK clock pulse width measured at 1.5 V	40.00	—	ns
J84	TCK rise and fall times	0.00	10.00	ns
J85	TMS, TDI data setup time	5.00	—	ns
J86	TMS, TDI data hold time	25.00	—	ns
J87	TCK low to TDO data valid	—	27.00	ns
J88	TCK low to TDO data invalid	0.00	—	ns
J89	TCK low to TDO high impedance	—	20.00	ns
J90	$\overline{\text{TRST}}$ assert time	100.00	—	ns
J91	$\overline{\text{TRST}}$ setup time to TCK low	40.00	—	ns
J92	TCK falling edge to output valid	—	50.00	ns
J93	TCK falling edge to output valid out of high impedance	—	50.00	ns
J94	TCK falling edge to output high impedance	—	50.00	ns
J95	Boundary scan input valid to TCK rising edge	50.00	—	ns
J96	TCK rising edge to boundary scan input invalid	50.00	—	ns


**Figure 36. JTAG Test Clock Input Timing**

**Figure 37. JTAG Test Access Port Timing Diagram**

**Figure 38. JTAG  $\overline{\text{TRST}}$  Timing Diagram**

**Figure 39. Boundary Scan (JTAG) Timing Diagram**

# 14 CPM Electrical Characteristics

This section provides the AC and DC electrical specifications for the communications processor module (CPM) of the MPC852T.

## 14.1 Port C Interrupt AC Electrical Specifications

Table 16 provides the timings for port C interrupts.

Table 16. Port C Interrupt Timing

Num	Characteristic	33.34 MHz		Unit
		Min	Max	
35	Port C interrupt pulse width low (edge-triggered mode)	55	—	ns
36	Port C interrupt minimum time between active edges	55	—	ns

Figure 40 shows the port C interrupt detection timing.

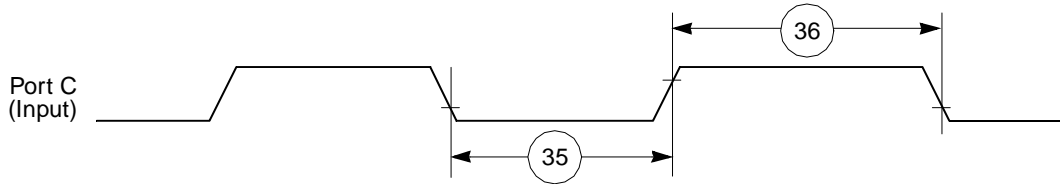


Figure 40. Port C Interrupt Detection Timing

## 14.2 IDMA Controller AC Electrical Specifications

Table 17 provides the IDMA controller timings as shown in Figure 41 through Figure 44.

Table 17. IDMA Controller Timing

Num	Characteristic	All Frequencies		Unit
		Min	Max	
40	$\overline{\text{DREQ}}$ setup time to clock high	7	—	ns
41	$\overline{\text{DREQ}}$ hold time from clock high <sup>1</sup>	3	—	ns
42	$\overline{\text{SDACK}}$ assertion delay from clock high	—	12	ns
43	$\overline{\text{SDACK}}$ negation delay from clock low	—	12	ns
44	$\overline{\text{SDACK}}$ negation delay from $\overline{\text{TA}}$ low	—	20	ns
45	$\overline{\text{SDACK}}$ negation delay from clock high	—	15	ns
46	$\overline{\text{TA}}$ assertion to rising edge of the clock setup time (applies to external $\overline{\text{TA}}$ )	7	—	ns

<sup>1</sup> Applies to high-to-low mode (EDM = 1).

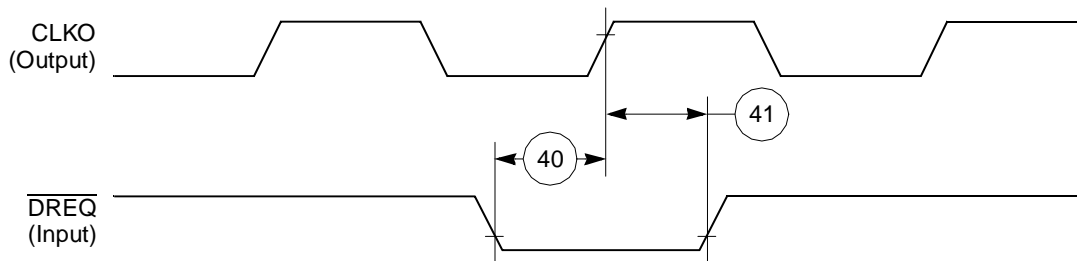


Figure 41. IDMA External Requests Timing Diagram

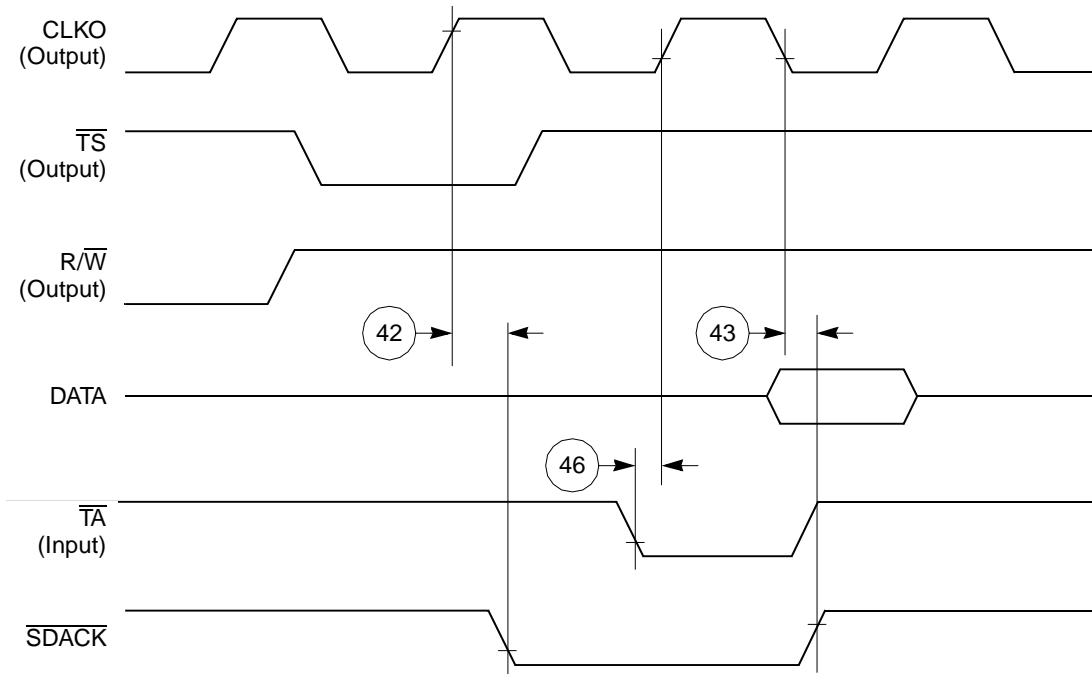


Figure 42.  $\overline{SDACK}$  Timing Diagram—Peripheral Write, Externally-Generated  $\overline{TA}$

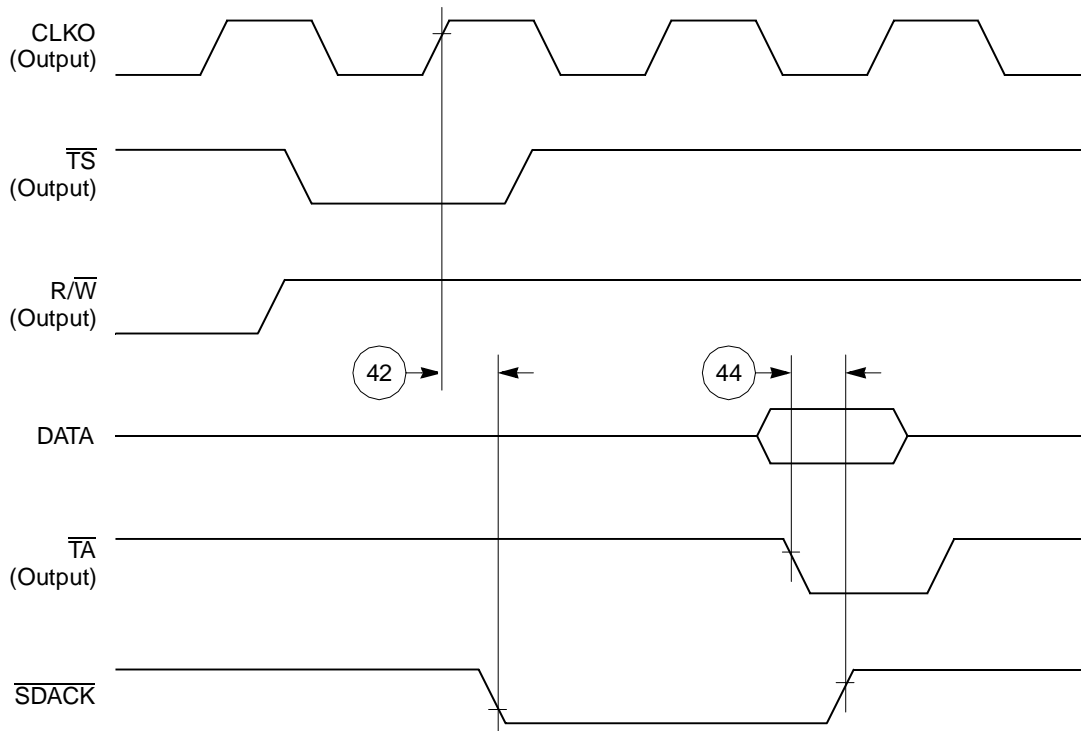


Figure 43.  $\overline{SDACK}$  Timing Diagram—Peripheral Write, Internally-Generated  $\overline{TA}$

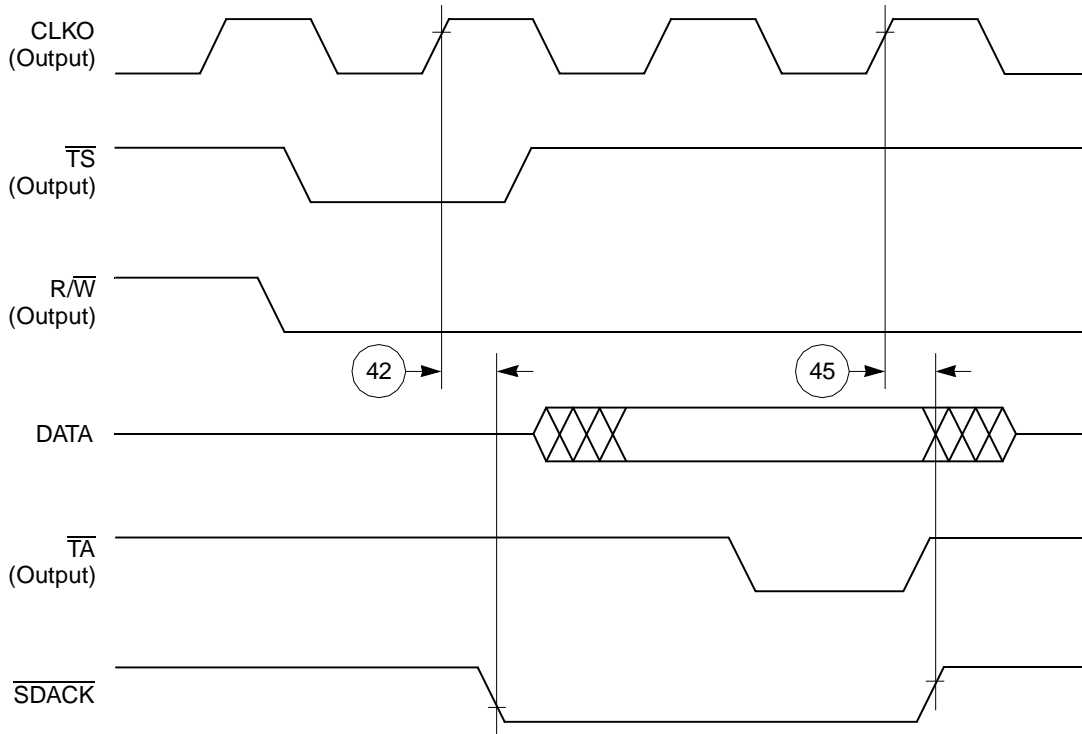


Figure 44.  $\overline{SDACK}$  Timing Diagram—Peripheral Read, Internally-Generated  $\overline{TA}$

### 14.3 Baud Rate Generator AC Electrical Specifications

Table 18 provides the baud rate generator timings as shown in Figure 45.

Table 18. Baud Rate Generator Timing

Num	Characteristic	All Frequencies		Unit
		Min	Max	
50	BRGO rise and fall time	—	10	ns
51	BRGO duty cycle	40	60	%
52	BRGO cycle	40	—	ns

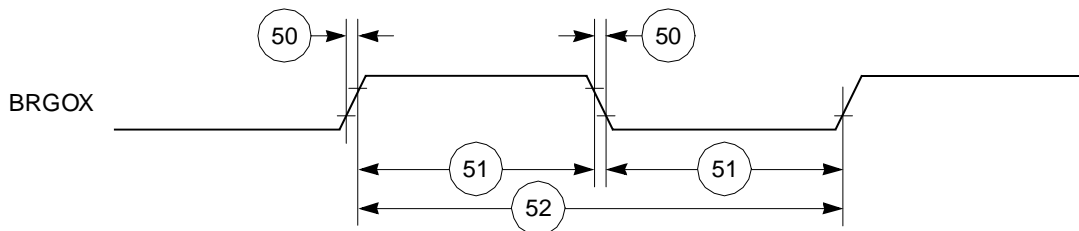


Figure 45. Baud Rate Generator Timing Diagram

## 14.4 Timer AC Electrical Specifications

Table 19 provides the general-purpose timer timings as shown in Figure 46.

Table 19. Timer Timing

Num	Characteristic	All Frequencies		Unit
		Min	Max	
61	TIN/TGATE rise and fall time	10	—	ns
62	TIN/TGATE low time	1	—	clk
63	TIN/TGATE high time	2	—	clk
64	TIN/TGATE cycle time	3	—	clk
65	CLKO low to $\overline{\text{TOUT}}$ valid	3	25	ns

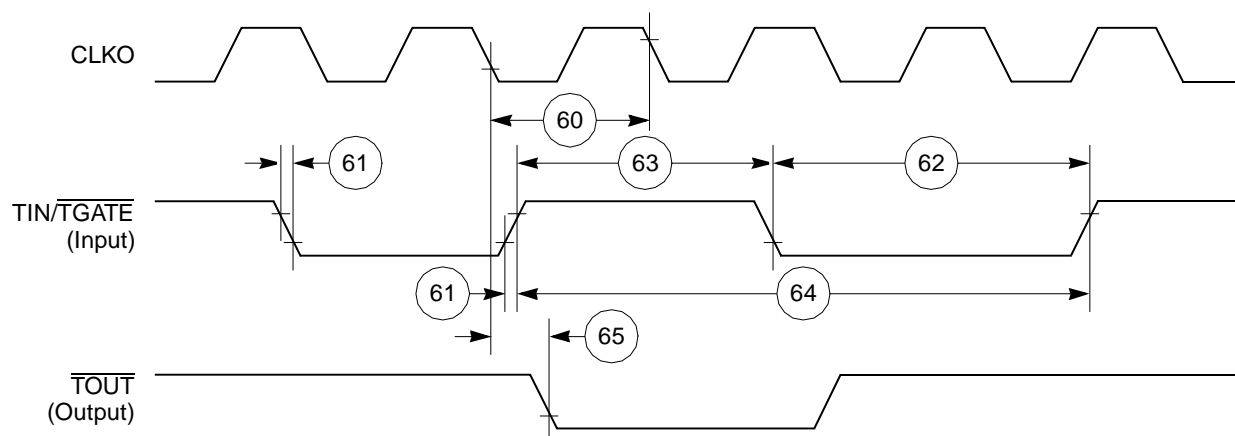


Figure 46. CPM General-Purpose Timers Timing Diagram

## 14.5 SCC in NMSI Mode Electrical Specifications

Table 20 provides the NMSI external clock timing.

Table 20. NMSI External Clock Timing

Num	Characteristic	All Frequencies		Unit
		Min	Max	
100	RCLK3 and TCLK3 width high <sup>1</sup>	1/SYNCCLK	—	ns
101	RCLK3 and TCLK3 width low	1/SYNCCLK + 5	—	ns
102	RCLK3 and TCLK3 rise/fall time	—	15.00	ns
103	TXD3 active delay (from TCLK3 falling edge)	0.00	50.00	ns
104	$\overline{\text{RTS3}}$ active/inactive delay (from TCLK3 falling edge)	0.00	50.00	ns
105	$\overline{\text{CTS3}}$ setup time to TCLK3 rising edge	5.00	—	ns
106	RXD3 setup time to RCLK3 rising edge	5.00	—	ns



**Table 20. NMSI External Clock Timing (continued)**

Num	Characteristic	All Frequencies		Unit
		Min	Max	
107	RXD3 hold time from RCLK3 rising edge <sup>2</sup>	5.00	—	ns
108	$\overline{\text{CD}}3$ setup Time to RCLK3 rising edge	5.00	—	ns

<sup>1</sup> The ratios SyncCLK/RCLK3 and SyncCLK/TCLK3 must be greater than or equal to 2.25/1.

<sup>2</sup> Also applies to  $\overline{\text{CD}}$  and  $\overline{\text{CTS}}$  hold time when they are used as an external sync signal.

Table 21 provides the NMSI internal clock timing.

**Table 21. NMSI Internal Clock Timing**

Num	Characteristic	All Frequencies		Unit
		Min	Max	
100	RCLK3 and TCLK3 frequency <sup>1</sup>	0.00	SYNCCLK/3	MHz
102	RCLK3 and TCLK3 rise/fall time	—	—	ns
103	TXD3 active delay (from TCLK3 falling edge)	0.00	30.00	ns
104	$\overline{\text{RTS}}3$ active/inactive delay (from TCLK3 falling edge)	0.00	30.00	ns
105	$\overline{\text{CTS}}3$ setup time to TCLK3 rising edge	40.00	—	ns
106	RXD3 setup time to RCLK3 rising edge	40.00	—	ns
107	RXD3 hold time from RCLK3 rising edge <sup>2</sup>	0.00	—	ns
108	$\overline{\text{CD}}3$ setup time to RCLK3 rising edge	40.00	—	ns

<sup>1</sup> The ratios SyncCLK/RCLK3 and SyncCLK/TCLK3 must be greater or equal to 3/1.

<sup>2</sup> Also applies to  $\overline{\text{CD}}$  and  $\overline{\text{CTS}}$  hold time when they are used as an external sync signals.

Figure 47 through Figure 49 show the NMSI timings.

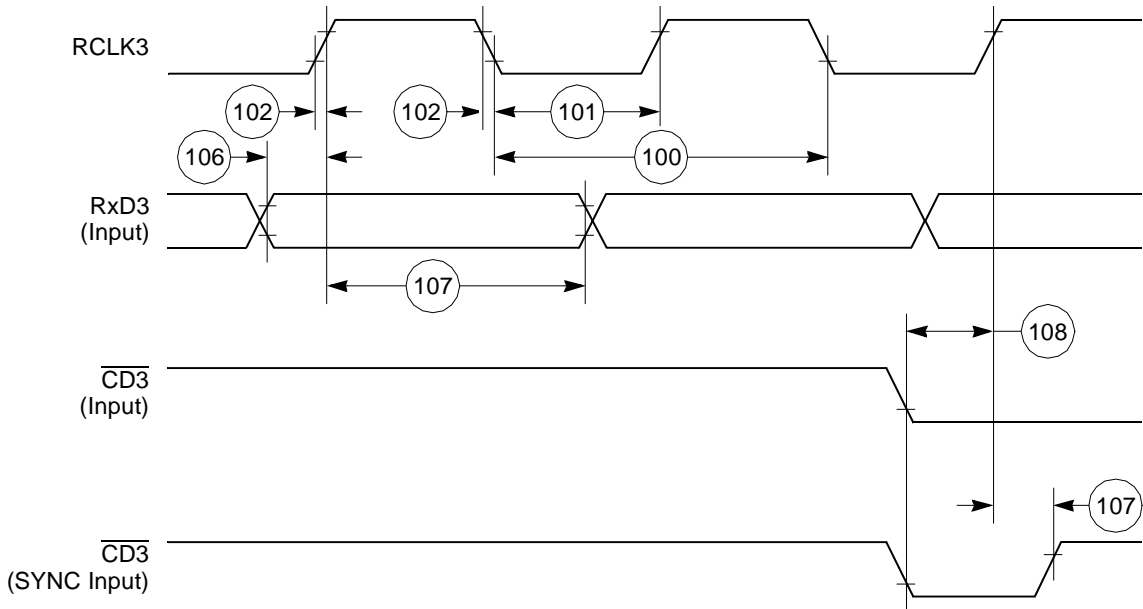


Figure 47. SCC NMSI Receive Timing Diagram

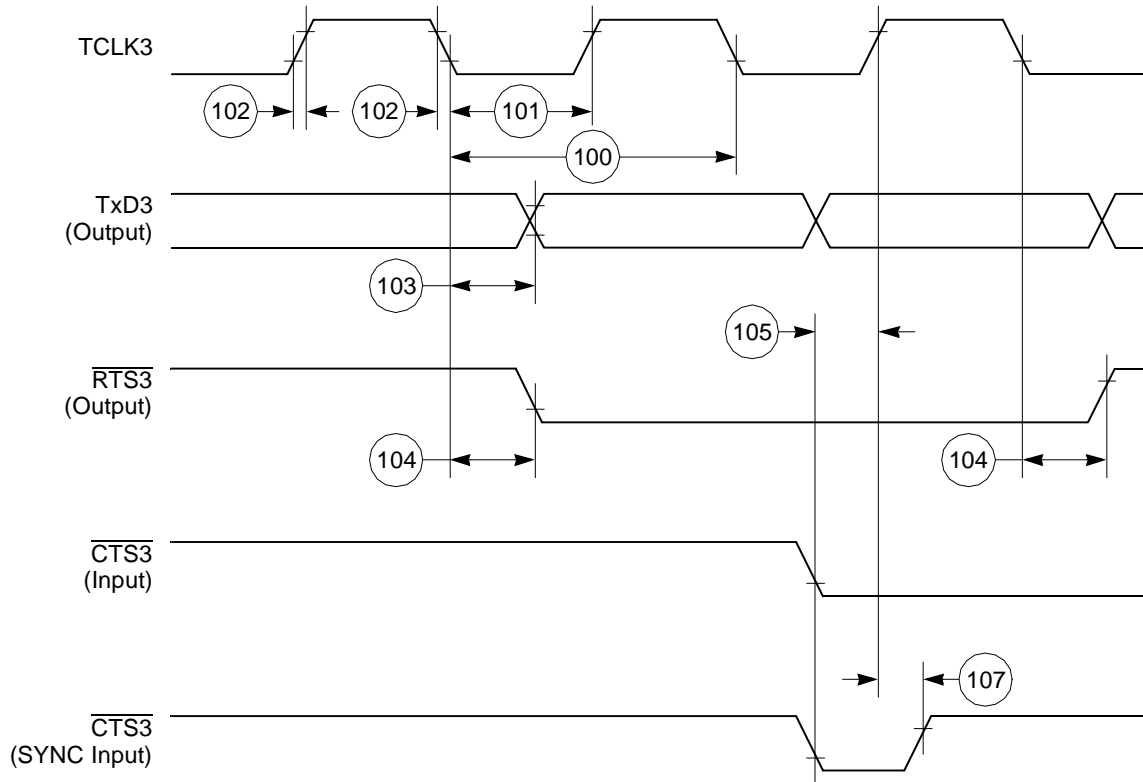


Figure 48. SCC NMSI Transmit Timing Diagram

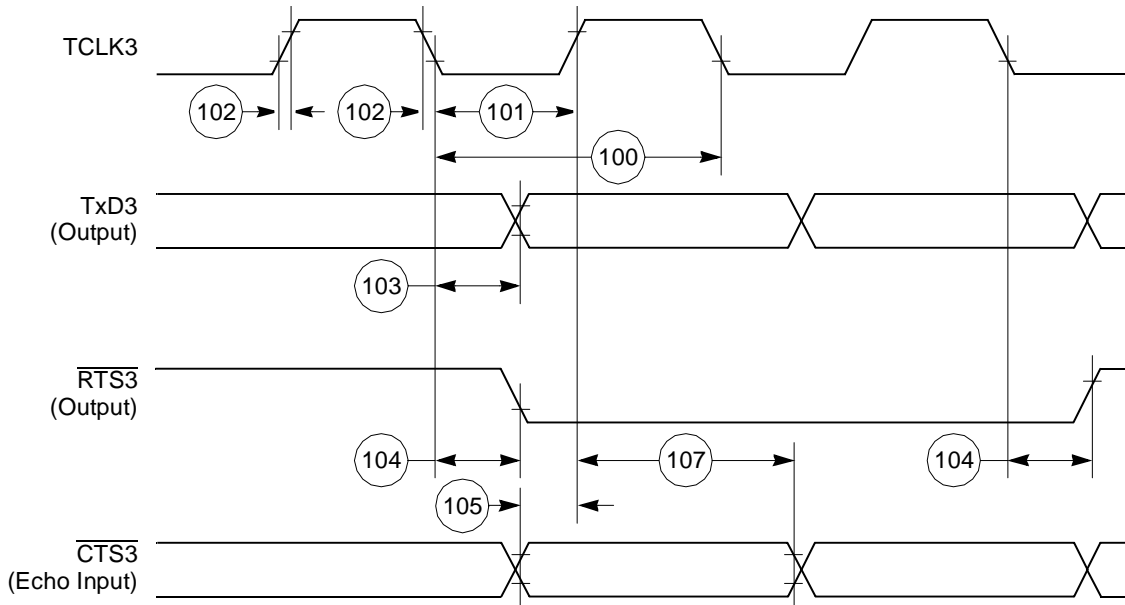


Figure 49. HDLC Bus Timing Diagram

## 14.6 Ethernet Electrical Specifications

Table 22 provides the Ethernet timings as shown in Figure 50 through Figure 54.

Table 22. Ethernet Timing

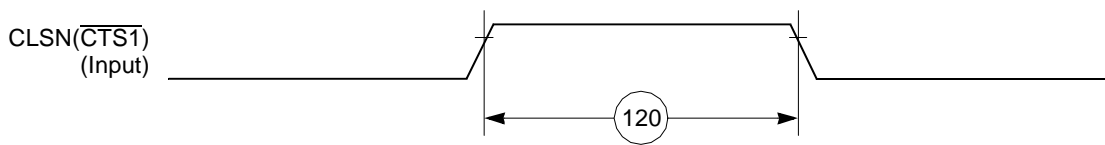
Num	Characteristic	All Frequencies		Unit
		Min	Max	
120	CLSN width high	40	—	ns
121	RCLK3 rise/fall time	—	15	ns
122	RCLK3 width low	40	—	ns
123	RCLK3 clock period <sup>1</sup>	80	120	ns
124	RXD3 setup time	20	—	ns
125	RXD3 hold time	5	—	ns
126	RENA active delay (from RCLK3 rising edge of the last data bit)	10	—	ns
127	RENA width low	100	—	ns
128	TCLK3 rise/fall time	—	15	ns
129	TCLK3 width low	40	—	ns
130	TCLK3 clock period <sup>1</sup>	99	101	ns
131	TXD3 active delay (from TCLK3 rising edge)	—	50	ns
132	TXD3 inactive delay (from TCLK3 rising edge)	6.5	50	ns
133	TENA active delay (from TCLK3 rising edge)	10	50	ns
134	TENA inactive delay (from TCLK3 rising edge)	10	50	ns

**Table 22. Ethernet Timing (continued)**

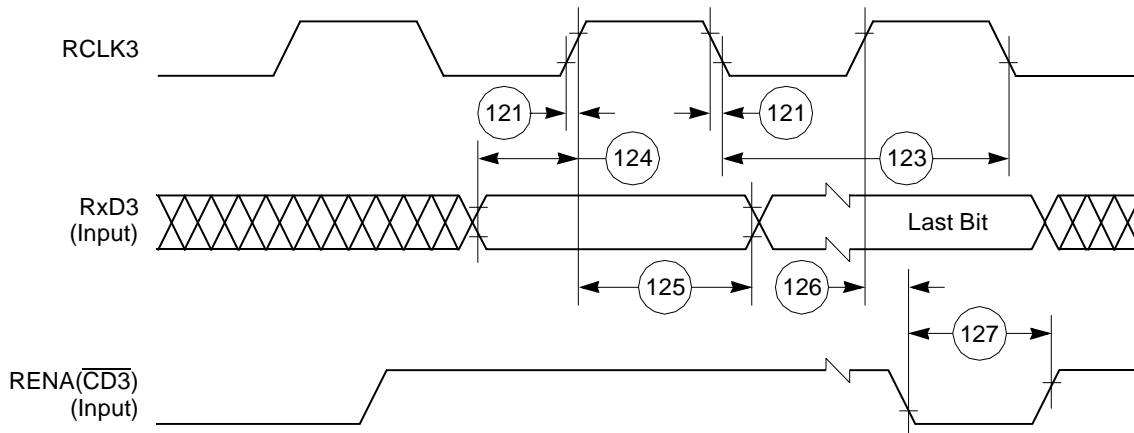
Num	Characteristic	All Frequencies		Unit
		Min	Max	
135	$\overline{\text{RSTRT}}$ active delay (from TCLK3 falling edge)	10	50	ns
136	$\overline{\text{RSTRT}}$ inactive delay (from TCLK3 falling edge)	10	50	ns
137	$\overline{\text{REJECT}}$ width low	1	—	CLK
138	CLKO1 low to $\overline{\text{SDACK}}$ asserted <sup>2</sup>	—	20	ns
139	CLKO1 low to $\overline{\text{SDACK}}$ negated <sup>2</sup>	—	20	ns

<sup>1</sup> The ratios SyncCLK/RCLK3 and SyncCLK/TCLK3 must be greater or equal to 2/1.

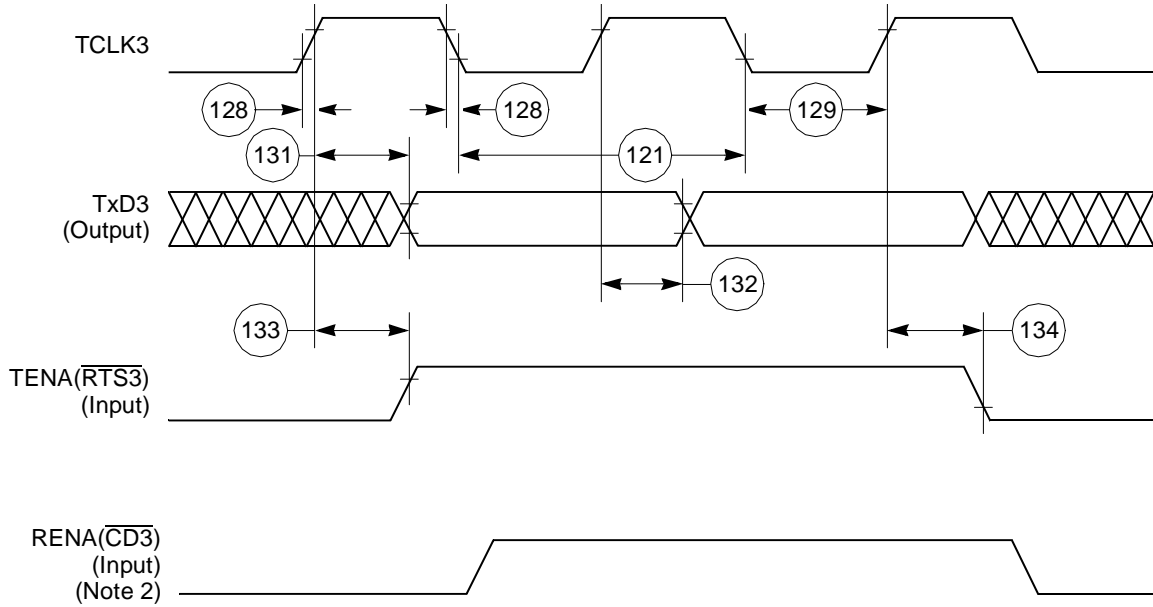
<sup>2</sup>  $\overline{\text{SDACK}}$  is asserted whenever the SDMA writes the incoming frame DA into memory.



**Figure 50. Ethernet Collision Timing Diagram**



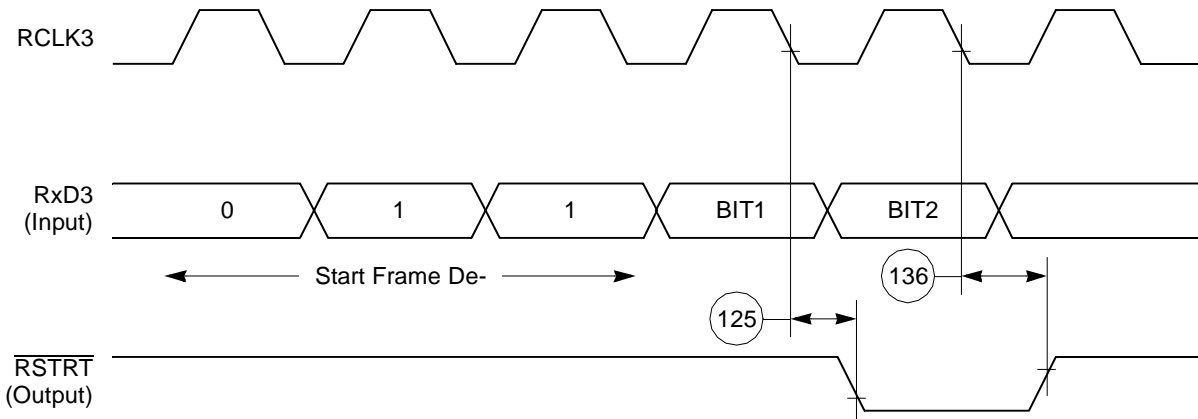
**Figure 51. Ethernet Receive Timing Diagram**



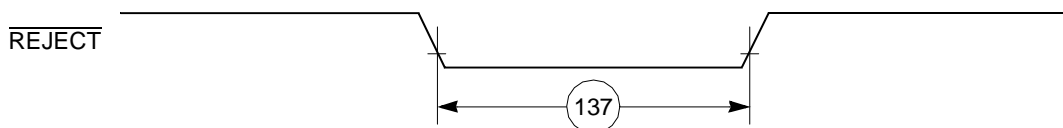
**Notes:**

1. Transmit clock invert (TCI) bit in GSMR is set.
2. If RENA is deasserted before TENA, or RENA is not asserted at all during transmit, the CSL bit is set in the buffer descriptor at the end of the frame transmission.

**Figure 52. Ethernet Transmit Timing Diagram**



**Figure 53. CAM Interface Receive Start Timing Diagram**



**Figure 54. CAM Interface REJECT Timing Diagram**

## 14.7 SPI Master AC Electrical Specifications

Table 23 provides the SPI master timings as shown in Figure 55 and Figure 56.

Table 23. SPI Master Timing

Num	Characteristic	All Frequencies		Unit
		Min	Max	
160	MASTER cycle time	4	1024	$t_{cyc}$
161	MASTER clock (SCK) high or low time	2	512	$t_{cyc}$
162	MASTER data setup time (inputs)	15	—	ns
163	Master data hold time (inputs)	0	—	ns
164	Master data valid (after SCK edge)	—	10	ns
165	Master data hold time (outputs)	0	—	ns
166	Rise time output	—	15	ns
167	Fall time output	—	15	ns

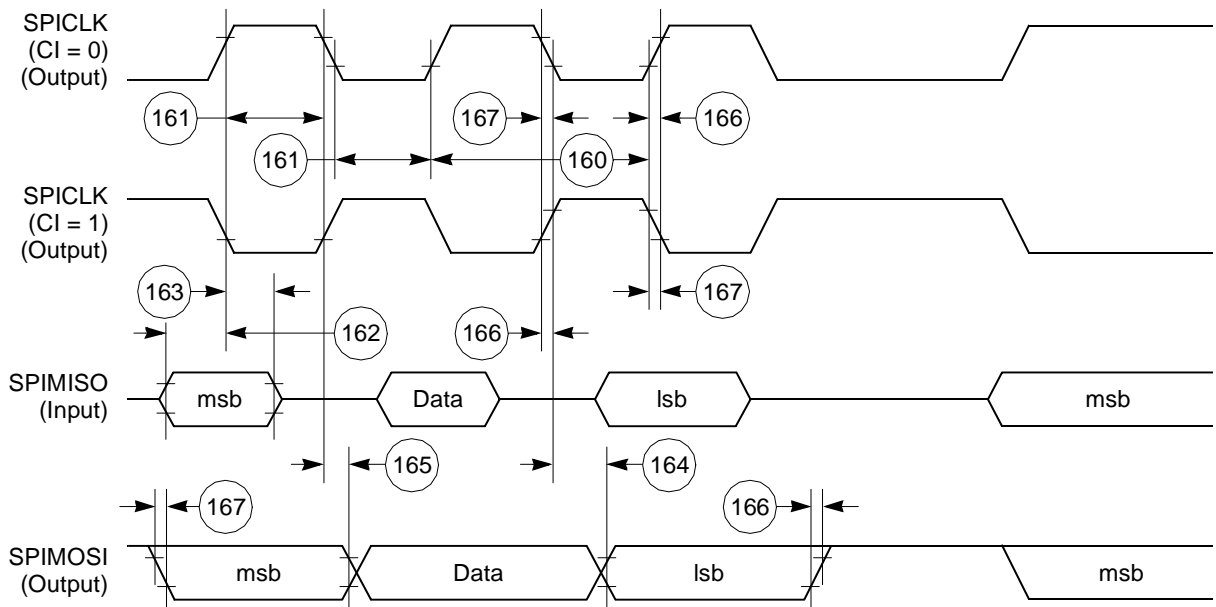


Figure 55. SPI Master (CP = 0) Timing Diagram

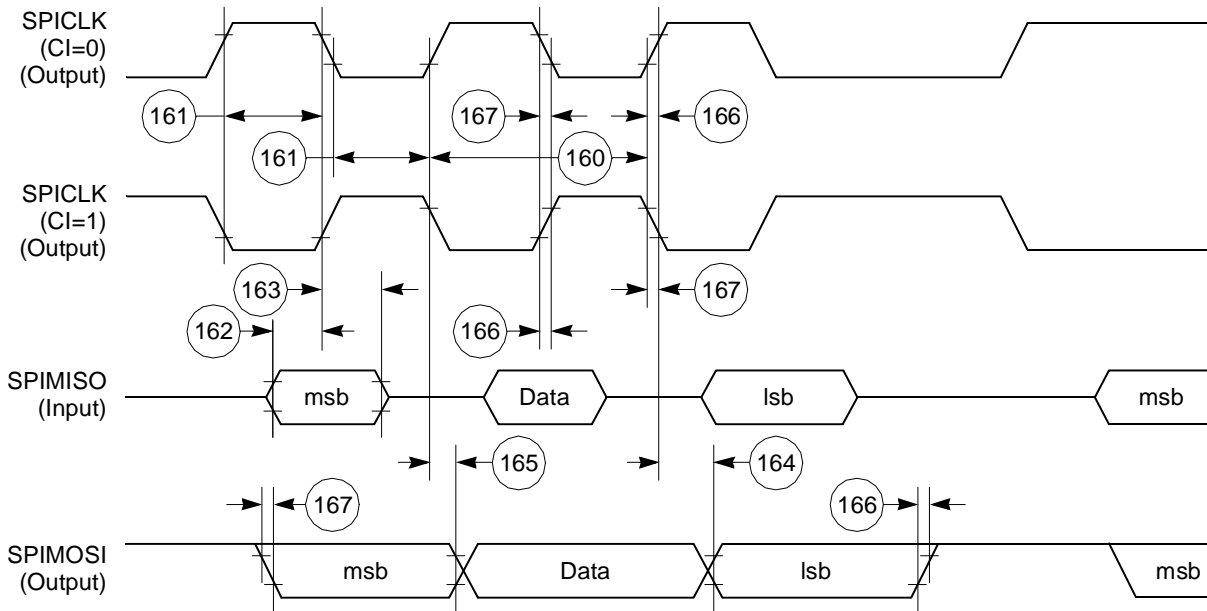


Figure 56. SPI Master (CP = 1) Timing Diagram

## 14.8 SPI Slave AC Electrical Specifications

Table 24 provides the SPI slave timings as shown in Figure 57 and Figure 58.

Table 24. SPI Slave Timing

Num	Characteristic	All Frequencies		Unit
		Min	Max	
170	Slave cycle time	2	—	$t_{cyc}$
171	Slave enable lead time	15	—	ns
172	Slave enable lag time	15	—	ns
173	Slave clock (SPICLK) high or low time	1	—	$t_{cyc}$
174	Slave sequential transfer delay (does not require deselect)	1	—	$t_{cyc}$
175	Slave data setup time (inputs)	20	—	ns
176	Slave data hold time (inputs)	20	—	ns
177	Slave access time	—	50	ns

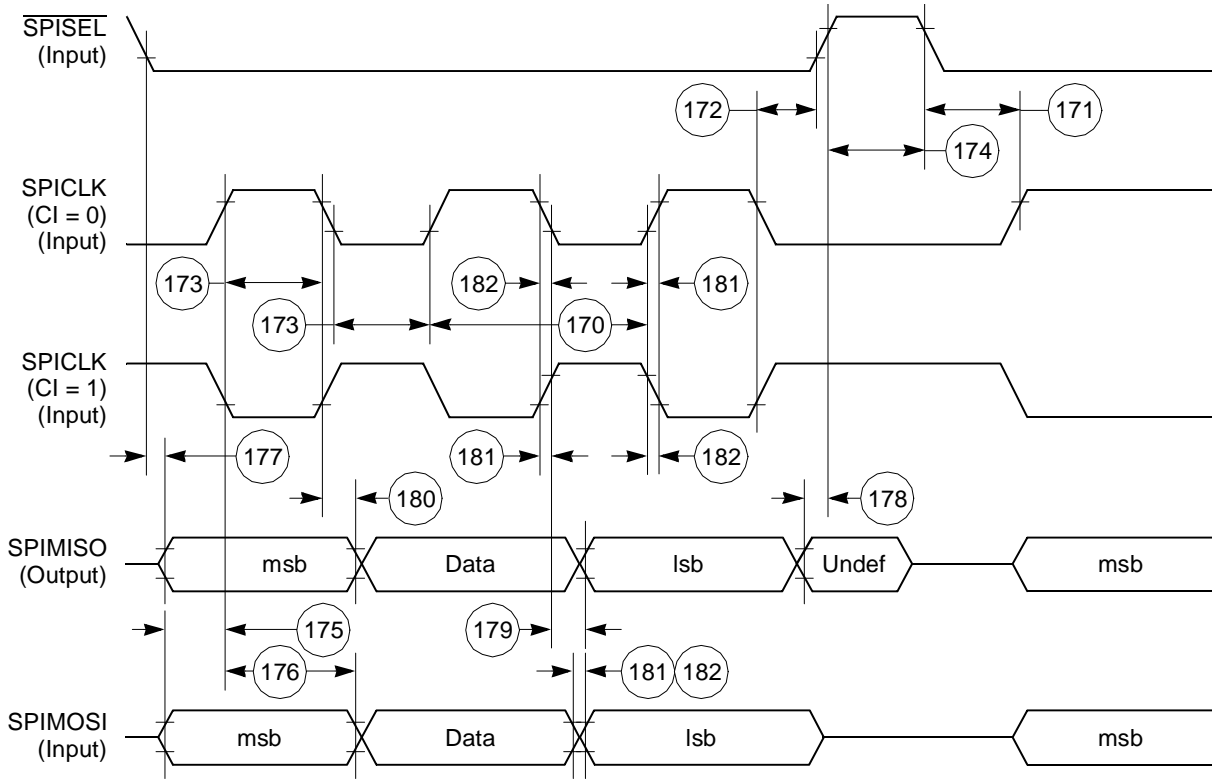


Figure 57. SPI Slave (CP = 0) Timing Diagram

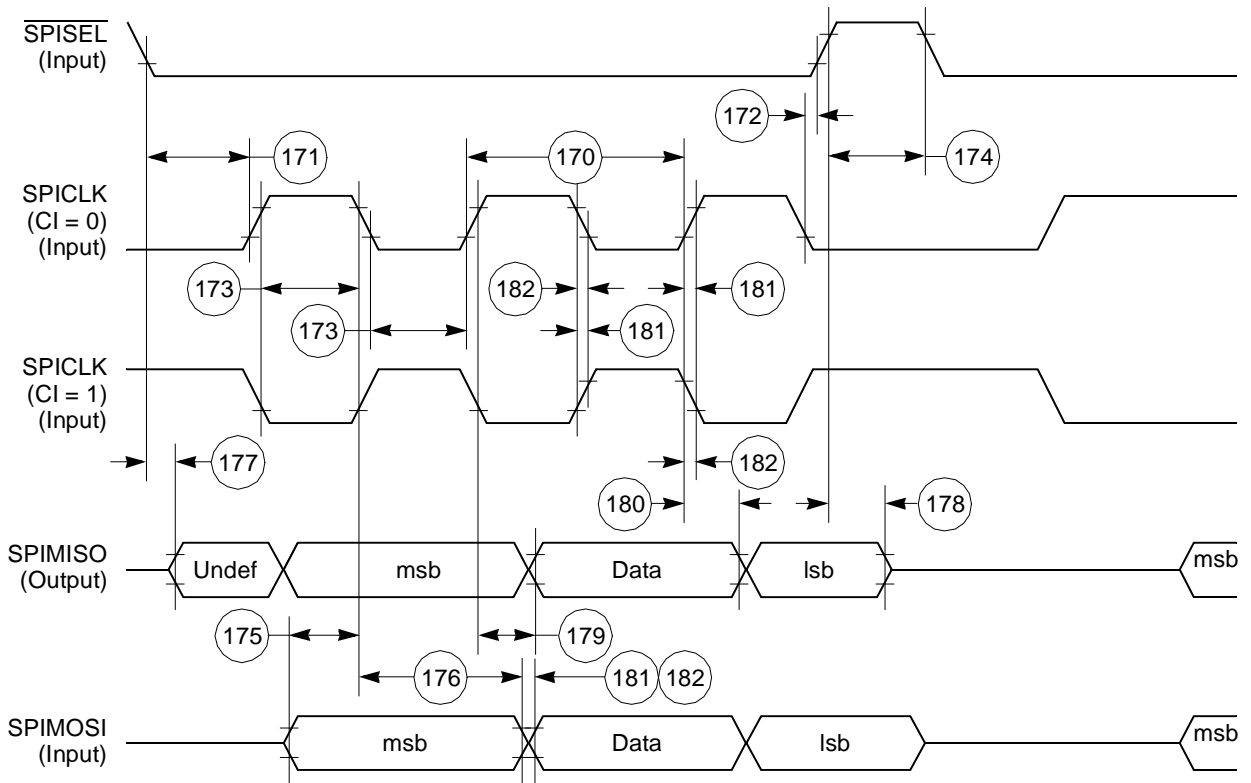


Figure 58. SPI Slave (CP = 1) Timing Diagram



## 15 FEC Electrical Characteristics

This section provides the AC electrical specifications for the fast Ethernet controller (FEC). Note that the timing specifications for the MII signals are independent of system clock frequency (part speed designation). Also, MII signals use TTL signal levels compatible with devices operating at either 5.0 V or 3.3 V.

### 15.1 MII Receive Signal Timing (MII\_RXD[3:0], MII\_RX\_DV, MII\_RX\_ER, MII\_RX\_CLK)

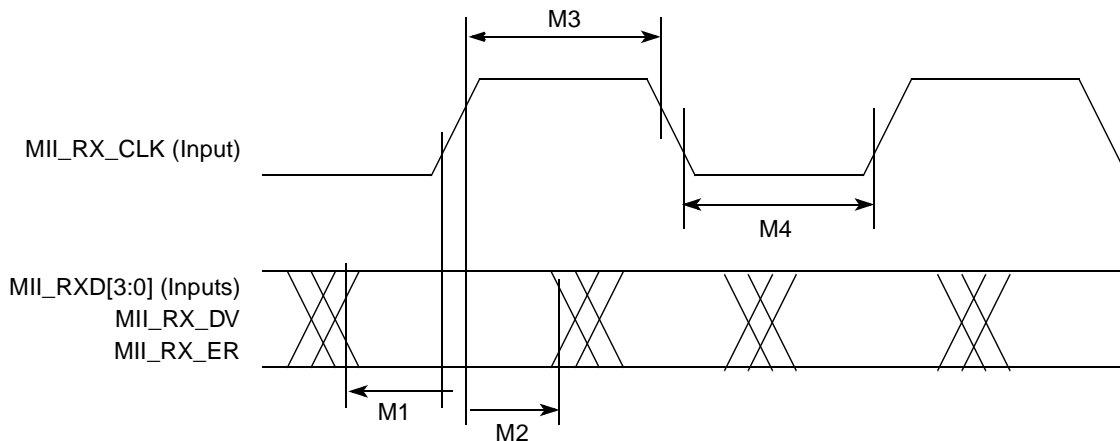
The receiver functions correctly up to a MII\_RX\_CLK maximum frequency of 25MHz +1%. There is no minimum frequency requirement. In addition, the processor clock frequency must exceed the MII\_RX\_CLK frequency -1%.

Table 25 provides information on the MII receive signal timing.

**Table 25. MII Receive Signal Timing**

Num	Characteristic	Min	Max	Unit
M1	MII_RXD[3:0], MII_RX_DV, MII_RX_ER to MII_RX_CLK setup	5	—	ns
M2	MII_RX_CLK to MII_RXD[3:0], MII_RX_DV, MII_RX_ER hold	5	—	ns
M3	MII_RX_CLK pulse width high	35%	65%	MII_RX_CLK period
M4	MII_RX_CLK pulse width low	35%	65%	MII_RX_CLK period

Figure 59 shows MII receive signal timing.



**Figure 59. MII Receive Signal Timing Diagram**

### 15.2 MII Transmit Signal Timing (MII\_TXD[3:0], MII\_TX\_EN, MII\_TX\_ER, MII\_TX\_CLK)

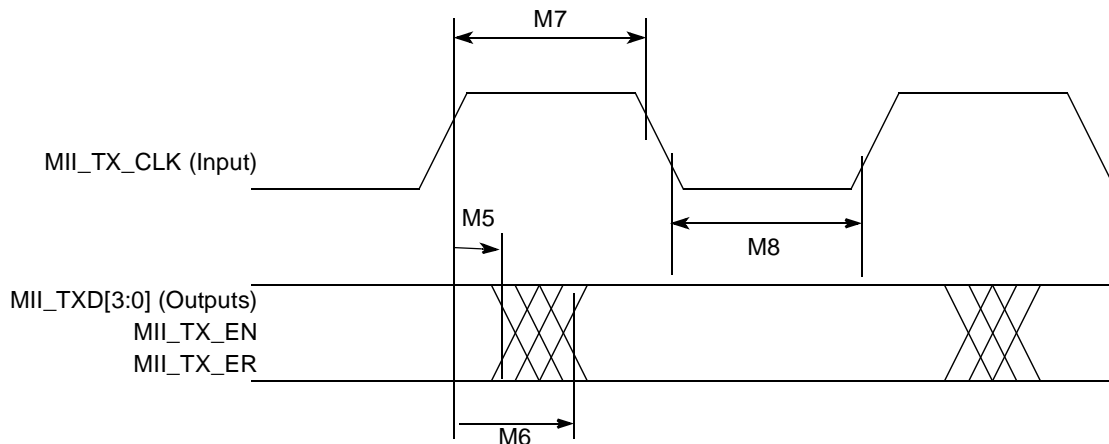
The transmitter functions correctly up to a MII\_TX\_CLK maximum frequency of 25 MHz + 1%. There is no minimum frequency requirement. In addition, the processor clock frequency must exceed the MII\_TX\_CLK frequency - 1%.

Table 26 provides information about the MII transmit signal timing.

**Table 26. MII Transmit Signal Timing**

Num	Characteristic	Min	Max	Unit
M5	MII_TX_CLK to MII_TXD[3:0], MII_TX_EN, MII_TX_ER invalid	5	—	ns
M6	MII_TX_CLK to MII_TXD[3:0], MII_TX_EN, MII_TX_ER valid	—	25	—
M7	MII_TX_CLK pulse width high	35%	65%	MII_TX_CLK period
M8	MII_TX_CLK pulse width low	35%	65%	MII_TX_CLK period

Figure 60 shows the MII transmit signal timing diagram.



**Figure 60. MII Transmit Signal Timing Diagram**

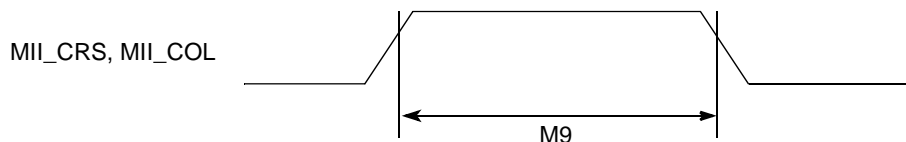
### 15.3 MII Async Inputs Signal Timing (MII\_CRIS, MII\_COL)

Table 27 provides information about the MII async inputs signal timing.

**Table 27. MII Async Inputs Signal Timing**

Num	Characteristic	Min	Max	Unit
M9	MII_CRIS, MII_COL minimum pulse width	1.5	—	MII_TX_CLK period

Figure 61 shows the MII asynchronous inputs signal timing diagram.



**Figure 61. MII Async Inputs Timing Diagram**

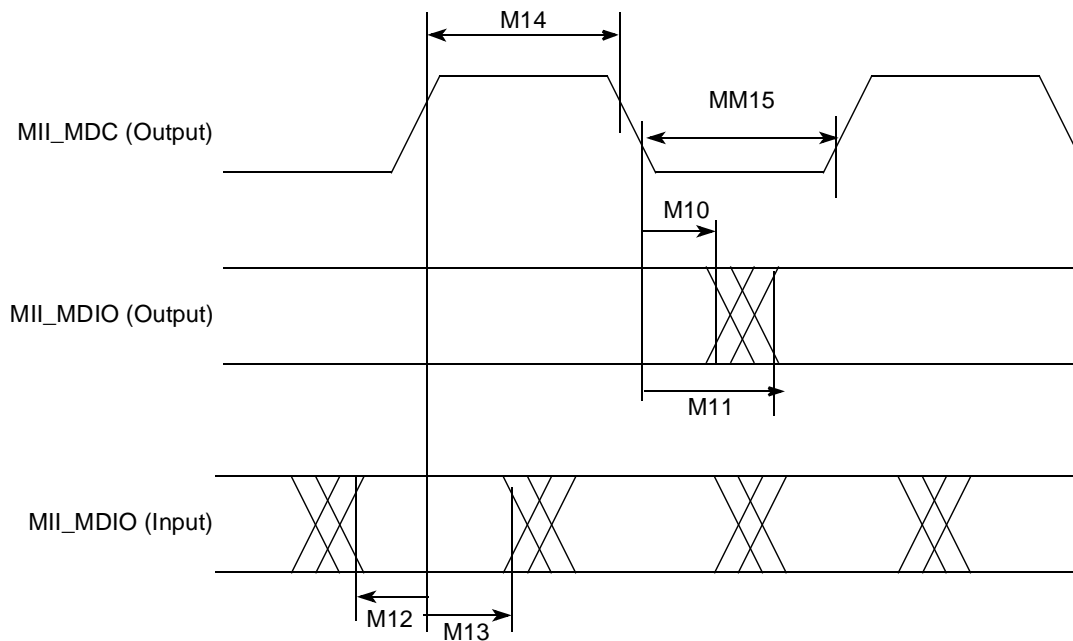
## 15.4 MII Serial Management Channel Timing (MII\_MDIO, MII\_MDC)

Table 28 provides information on the MII serial management channel signal timing. The FEC functions correctly with a maximum MDC frequency in excess of 2.5 MHz. The exact upper bound is under investigation.

**Table 28. MII Serial Management Channel Timing**

Num	Characteristic	Min	Max	Unit
M10	MII_MDC falling edge to MII_MDIO output invalid (minimum propagation delay)	0	—	ns
M11	MII_MDC falling edge to MII_MDIO output valid (max prop delay)	—	25	ns
M12	MII_MDIO (input) to MII_MDC rising edge setup	10	—	ns
M13	MII_MDIO (input) to MII_MDC rising edge hold	0	—	ns
M14	MII_MDC pulse width high	40%	60%	MII_MDC period
M15	MII_MDC pulse width low	40%	60%	MII_MDC period

Figure 62 shows the MII serial management channel timing diagram.



**Figure 62. MII Serial Management Channel Timing Diagram**

## 16 Mechanical Data and Ordering Information

Table 29 identifies the packages and operating frequencies orderable for the MPC852T.

**Table 29. MPC852T Package/Frequency Orderable**

Package Type	Temperature (Tj)	Frequency (MHz)	Order Number
Plastic ball grid array (VR and ZT suffix)	0°C to 95°C	50	MPC852TVR50A MPC852TZT50A
		66	MPC852TVR66A MPC852TZT66A
		80	MPC852TVR80A MPC852TZT80A
		100	MPC852TVR100A MPC852TZT100A
Plastic ball grid array (CVR and CZT suffix)	-40°C to 100°C	50	MPC852TCVR50A MPC852TCZT50A
		66	MPC852TCVR66A MPC852TCZT66A
		80	MPC852TCVR80A MPC852TCZT80A
		100	MPC852TCVR100A MPC852TCZT100A

### 16.1 Pin Assignments

The following sections give the pinout and pin listing for the JEDEC compliant and the non-JEDEC versions of the 16 × 16 PBGA package.

## 16.1.1 JEDEC Compliant Pinout

Figure 63 shows the JEDEC pinout of the PBGA package as viewed from the top surface. For additional information, see the *MPC866 PowerQUICC™ Family Reference Manual*.

**NOTE:** This is the top view of the device.

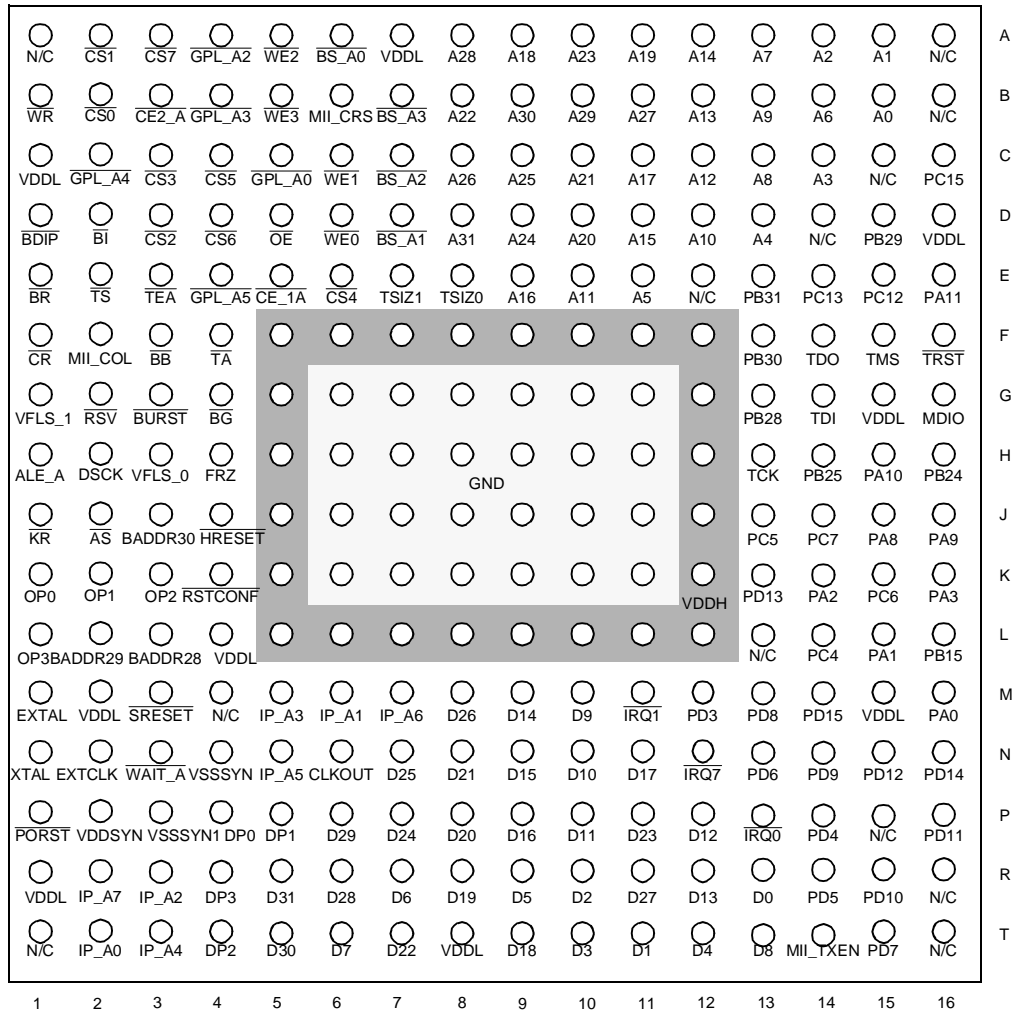


Figure 63. Pinout of PBGA Package—JEDEC Standard

Table 30 contains a list of the MPC852T input and output signals and shows multiplexing and pin assignments.

**Table 30. Pin Assignments—JEDEC Standard**

Name	Pin Number	Type
A[0:31]	B15, A15, A14, C14, D13, E11, B14, A13, C13, B13, D12, E10, C12, B12, A12, D11, E9, C11, A9, A11, D10, C10, B8, A10, D9, C9, C8, B11, A8, B10, B9, D8	Bidirectional Three-state (3.3 V only)
TSIZ0, $\overline{\text{REG}}$	E8	Bidirectional Three-state (3.3 V only)
TSIZ1	E7	Bidirectional Three-state (3.3 V only)
RD/ $\overline{\text{WR}}$	B1	Bidirectional Three-state (3.3 V only)
$\overline{\text{BURST}}$	G3	Bidirectional Three-state (3.3 V only)
$\overline{\text{BDIP}}$ , $\overline{\text{GPL\_B5}}$	D1	Output
$\overline{\text{TS}}$	E2	Bidirectional Active Pull-up (3.3 V only)
$\overline{\text{TA}}$	F4	Bidirectional Active Pull-up (3.3 V only)
$\overline{\text{TEA}}$	E3	Open-drain
$\overline{\text{BI}}$	D2	Bidirectional Active Pull-up (3.3 V only)
$\overline{\text{IRQ2}}$ RSV	G2	Bidirectional Three-state (3.3 V only)
$\overline{\text{IRQ4}}$ , KR, $\overline{\text{RETRY}}$ , SPKROUT	J1	Bidirectional Three-state (3.3 V only)
$\overline{\text{CR}}$ , $\overline{\text{IRQ3}}$	F1	Input (3.3 V only)
D[0:31]	R13, T11, R10, T10, T12, R9, R7, T6, T13, M10, N10, P10, P12, R12, M9, N9, P9, N11, T9, R8, P8, N8, T7, P11, P7, N7, M8, R11, R6, P6, T5, R5	Bidirectional Three-state (3.3 V only)
DP0, $\overline{\text{IRQ3}}$	P4	Bidirectional Three-state (3.3 V only)
DP1, $\overline{\text{IRQ4}}$	P5	Bidirectional Three-state (3.3 V only)
DP2, $\overline{\text{IRQ5}}$	T4	Bidirectional Three-state (3.3 V only)
DP3, $\overline{\text{IRQ6}}$	R4	Bidirectional Three-state (3.3 V only)
$\overline{\text{BR}}$	E1	Bidirectional (3.3 V only)
$\overline{\text{BG}}$	G4	Bidirectional (3.3 V only)
$\overline{\text{BB}}$	F3	Bidirectional Active pull-up (3.3 V only)

Table 30. Pin Assignments—JEDEC Standard (continued)

Name	Pin Number	Type
FRZ $\overline{\text{IRQ6}}$	H4	Bidirectional (3.3 V only)
$\overline{\text{IRQ0}}$	P13	Input (3.3 V only)
$\overline{\text{IRQ1}}$	M11	Input (3.3 V only)
$\overline{\text{M\_TX\_CLK}}$ $\overline{\text{IRQ7}}$	N12	Input (3.3 V only)
$\overline{\text{CS}}[0:5]$	B2, A2, D3, C3, E6, C4	Output
$\overline{\text{CS6}}$	D4	Output
$\overline{\text{CS7}}$	A3	Output
$\overline{\text{WE0}}$ BS_B0 $\overline{\text{IORD}}$	D6	Output
$\overline{\text{WE1}}$ BS_B1 $\overline{\text{IOWR}}$	C6	Output
$\overline{\text{WE2}}$ BS_B2 $\overline{\text{PCOE}}$	A5	Output
$\overline{\text{WE3}}$ BS_B3 $\overline{\text{PCWE}}$	B5	Output
$\overline{\text{BS\_A}}[0:3]$	A6, D7, C7, B7	Output
$\overline{\text{GPL\_A0}}$ $\overline{\text{GPL\_B0}}$	C5	Output
$\overline{\text{OE}}$ $\overline{\text{GPL\_A1}}$ $\overline{\text{GPL\_B1}}$	D5	Output
$\overline{\text{GPL\_A}}[2:3]$ $\overline{\text{GPL\_B}}[2:3]$ $\overline{\text{CS}}[2-3]$	A4, B4	Output
UPWAITA $\overline{\text{GPL\_A4}}$	C2	Bidirectional (3.3 V only)
$\overline{\text{GPL\_A5}}$	E4	Output
$\overline{\text{PORESET}}$	P1	Input (3.3 V only)
$\overline{\text{RSTCONF}}$	K4	Input (3.3 V only)
$\overline{\text{HRESET}}$	J4	Open-drain
$\overline{\text{SRESET}}$	M3	Open-drain
XTAL	N1	Analog Output

**Table 30. Pin Assignments—JEDEC Standard (continued)**

Name	Pin Number	Type
EXTAL	M1	Analog Input (1.8 V only)
CLKOUT	N6	Output
EXTCLK	N2	Input (1.8 V only)
ALE_A	H1	Output
$\overline{\text{CE1\_A}}$	E5	Output
$\overline{\text{CE2\_A}}$	B3	Output
$\overline{\text{WAIT\_A}}$	N3	Input (3.3 V only)
IP_A0	T2	Input (3.3 V only)
IP_A1	M6	Input (3.3 V only)
IP_A2, $\overline{\text{IOIS16\_A}}$	R3	Input (3.3 V only)
IP_A3	M5	Input (3.3 V only)
IP_A4	T3	Input (3.3 V only)
IP_A5	N5	Input (3.3 V only)
IP_A6	M7	Input (3.3 V only)
IP_A7	R2	Input (3.3 V only)
DSCK	H2	Bidirectional Three-state (3.3 V only)
IWP[0:1], VFLS[0:1]	H3, G1	Bidirectional (3.3 V only)
OP0	K1	Bidirectional (3.3 V only)
OP1	K2	Output
OP2, MODCK1, $\overline{\text{STS}}$	K3	Bidirectional (3.3 V only)
OP3, MODCK2, DSDO	L1	Bidirectional (3.3 V only)
BADDR[28:29]	L3, L2	Output
BADDR30, $\overline{\text{REG}}$	J3	Output
$\overline{\text{AS}}$	J2	Input (3.3 V only)
PA11, RXD3	E16	Bidirectional (Optional: Open-drain) (5-V tolerant)
PA10, TXD3	H15	Bidirectional (Optional: Open-drain) (5-V tolerant)
PA9, RXD4	J16	Bidirectional (Optional: Open-drain) (5-V tolerant)
PA8, TXD4	J15	Bidirectional (Optional: Open-drain) (5-V tolerant)



**Table 30. Pin Assignments—JEDEC Standard (continued)**

Name	Pin Number	Type
PA3, CLK5, BRGO3, TIN3	K16	Bidirectional (5-V tolerant)
PA2, CLK6, $\overline{\text{TOUT3}}$	K14	Bidirectional (5-V tolerant)
PA1, CLK7, BRGO4, TIN4	L15	Bidirectional (5-V tolerant)
PA0, CLK8, $\overline{\text{TOUT4}}$	M16	Bidirectional (5-V tolerant)
PB31, $\overline{\text{SPISEL}}$	E13	Bidirectional (Optional: Open-drain) (5-V tolerant)
PB30, SPICLK	F13	Bidirectional (Optional: Open-drain) (5-V tolerant)
PB29, SPIMOSI	D15	Bidirectional (Optional: Open-drain) (5-V tolerant)
PB28, SPIMISO, BRGO4	G13	Bidirectional (Optional: Open-drain) (5-V tolerant)
PB25, SMTXD1	H14	Bidirectional (Optional: Open-drain) (5-V tolerant)
PB24, SMRXD1	H16	Bidirectional (Optional: Open-drain) (5-V tolerant)
PB15, BRGO3	L16	Bidirectional (5-V tolerant)
PC15, $\overline{\text{DREQ0}}$	C16	Bidirectional (5-V tolerant)
PC13, $\overline{\text{RTS3}}$	E14	Bidirectional (5-V tolerant)
PC12, $\overline{\text{RTS4}}$	E15	Bidirectional (5-V tolerant)
PC7, $\overline{\text{CTS3}}$	J14	Bidirectional (5-V tolerant)
PC6, $\overline{\text{CD3}}$	K15	Bidirectional (5-V tolerant)
PC5, $\overline{\text{CTS4}}$ , SDACK1	J13	Bidirectional (5-V tolerant)

**Table 30. Pin Assignments—JEDEC Standard (continued)**

Name	Pin Number	Type
PC4, $\overline{\text{CD4}}$	L14	Bidirectional (5-V tolerant)
PD15, MII_RXD3	M14	Bidirectional (5-V tolerant)
PD14, MII_RXD2	N16	Bidirectional (5-V tolerant)
PD13, MII_RXD1	K13	Bidirectional (5-V tolerant)
PD12, MII_MDC	N15	Bidirectional (5-V tolerant)
PD11, RXD3, MII_TX_ER	P16	Bidirectional (5-V tolerant)
PD10, TXD3, MII_RXD0	R15	Bidirectional (5-V tolerant)
PD9, RXD4, MII_TXD0	N14	Bidirectional (5-V tolerant)
PD8, TXD4, MII_RX_CLK	M13	Bidirectional (5-V tolerant)
PD7, $\overline{\text{RTS3}}$ , MII_RX_ER	T15	Bidirectional (5-V tolerant)
PD6, $\overline{\text{RTS4}}$ , MII_RX_DV	N13	Bidirectional (5-V tolerant)
PD5, MII_TXD3	R14	Bidirectional (5-V tolerant)
PD4, MII_TXD2	P14	Bidirectional (5-V tolerant)
PD3, MII_TXD1	M12	Bidirectional (5-V tolerant)
TMS	F15	Input (5-V tolerant)
TDI, DSDI	G14	Input (5-V tolerant)
TCK, DSCK	H13	Input (5-V tolerant)
$\overline{\text{TRST}}$	F16	Input (5-V tolerant)
TDO, DSDO	F14	Output (5-V tolerant)
MII_CRS	B6	Input

**Table 30. Pin Assignments—JEDEC Standard (continued)**

Name	Pin Number	Type
MII_MDIO	G16	Bidirectional (5-V tolerant)
MII_TXEN	T14	Output (5-V tolerant)
MII_COL	F2	Input
V <sub>SSSYN</sub>	N4	PLL analog GND
V <sub>SSSYN1</sub>	P3	PLL analog GND
V <sub>DDSYN</sub>	P2	PLL analog V <sub>DD</sub>
GND	G6, G7, G8, G9, G10, G11, H6, H7, H8, H9, H10, H11, J6, J7, J8, J9, J10, J11, K6, K7, K8, K9, K10, K11	Power
V <sub>DDL</sub>	A7, C1, D16, G15, L4, M2, R1, M15, T8	Power
V <sub>DDH</sub>	F5, F6, F7, F8, F9, F10, F11, F12, G5, G12, H5, H12, J5, J12, K5, K12, L5, L6, L7, L8, L9, L10, L11, L12	Power
N/C	A1, A16, B16, C15, D14, E12, L13, M4, P15, R16, T1, T16	No connect

## 16.1.2 The non-JEDEC Pinout

Figure 64 shows the non-JEDEC pinout of the PBGA package as viewed from the top surface. For additional information, see the *PowerQUICC™ Family Reference Manual*.

**NOTE:** This figure shows the top view of the device.

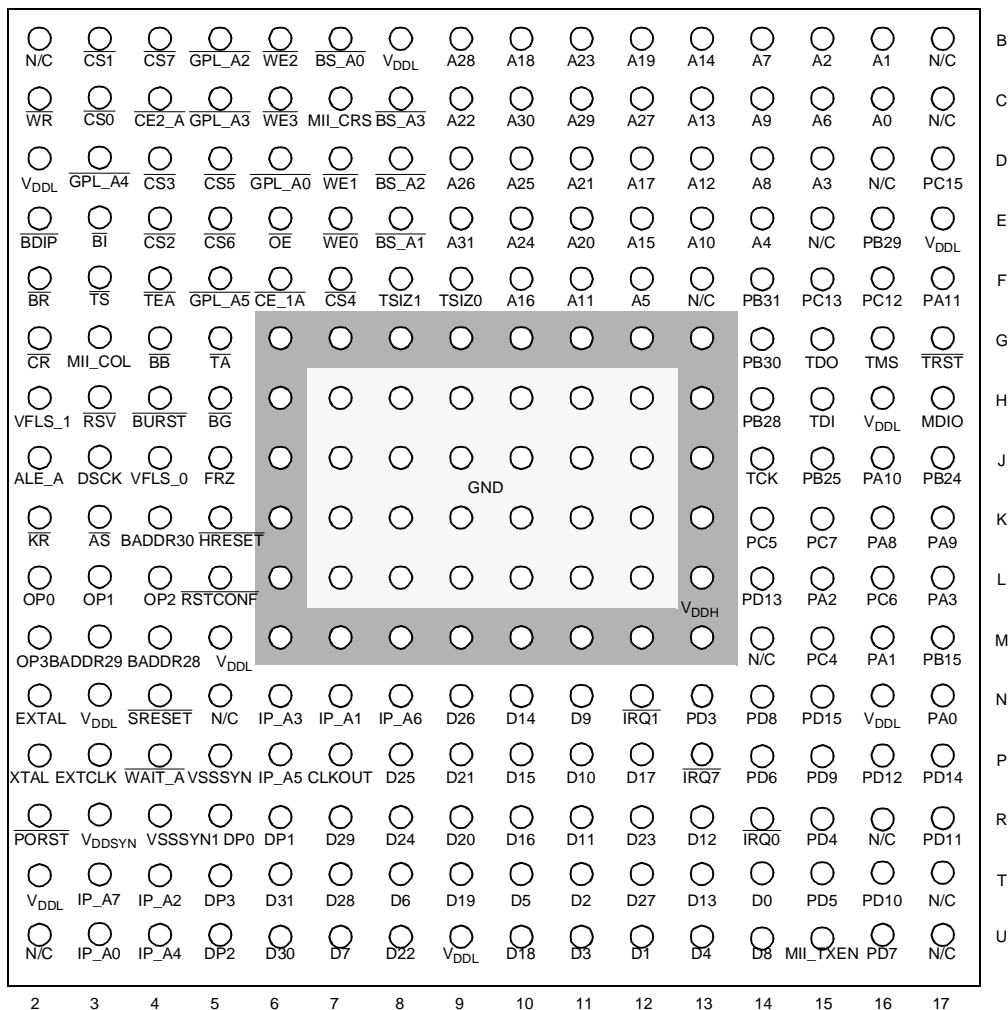


Figure 64. Pinout of PBGA Package—Non-JEDEC

Table 31 contains a list of the MPC852T input and output signals and shows multiplexing and pin assignments.

**Table 31. Pin Assignments—Non-JEDEC**

Name	Pin Number	Type
A[0:31]	C16, B16, B15, D15, E14, F12, C15, B14, D14, C14, E13, F11, D13, C13, B13, E12, F10, D12, B10, B12, E11, D11, C9, B11, E10, D10, D9, C12, B9, C11, C10, E9	Bidirectional Three-state (3.3 V only)
TSIZ0, $\overline{\text{REG}}$	F9	Bidirectional Three-state (3.3 V only)
TSIZ1	F8	Bidirectional Three-state (3.3 V only)
$\text{RD}/\overline{\text{WR}}$	C2	Bidirectional Three-state (3.3 V only)
$\overline{\text{BURST}}$	H4	Bidirectional Three-state (3.3 V only)
$\overline{\text{BDIP}}$ , $\overline{\text{GPL\_B5}}$	E2	Output
$\overline{\text{TS}}$	F3	Bidirectional Active pull-up (3.3 V only)
$\overline{\text{TA}}$	G5	Bidirectional Active pull-up (3.3 V only)
$\overline{\text{TEA}}$	F4	Open-drain
$\overline{\text{BI}}$	E3	Bidirectional Active pull-up (3.3 V only)
$\overline{\text{IRQ2}}$ , $\overline{\text{RSV}}$	H3	Bidirectional Three-state (3.3 V only)
$\overline{\text{IRQ4}}$ , $\overline{\text{KR}}$ $\overline{\text{RETRY}}$ , $\overline{\text{SPKROUT}}$	K2	Bidirectional Three-state (3.3 V only)
$\overline{\text{CR}}$ , $\overline{\text{IRQ3}}$	G2	Input (3.3 V only)
D[0:31]	T14, U12, T11, U11, U13, T10, T8, U7, U14, N11, P11, R11, R13, T13, N10, P10, R10, P12, U10, T9, R9, P9, U8, R12, R8, P8, N9, T12, T7, R7, U6, T6	Bidirectional Three-state (3.3 V only)
DP0, $\overline{\text{IRQ3}}$	R5	Bidirectional Three-state (3.3 V only)
DP1, $\overline{\text{IRQ4}}$	R6	Bidirectional Three-state (3.3 V only)
DP2, $\overline{\text{IRQ5}}$	U5	Bidirectional Three-state (3.3 V only)
DP3, $\overline{\text{IRQ6}}$	T5	Bidirectional Three-state (3.3 V only)
$\overline{\text{BR}}$	F2	Bidirectional (3.3 V only)
$\overline{\text{BG}}$	H5	Bidirectional (3.3 V only)

**Table 31. Pin Assignments—Non-JEDEC (continued)**

Name	Pin Number	Type
$\overline{BB}$	G4	Bidirectional Active Pull-up (3.3 V only)
FRZ, $\overline{IRQ6}$	J5	Bidirectional (3.3 V only)
$\overline{IRQ0}$	R14	Input (3.3 V only)
$\overline{IRQ1}$	N12	Input (3.3 V only)
$\overline{IRQ7}$ , M_TX_CLK	P13	Input (3.3 V only)
$\overline{CS}[0:5]$	C3, B3, E4, D4, F7, D5	Output
$\overline{CS6}$	E5	Output
$\overline{CS7}$	B4	Output
$\overline{WE0}$ , BS_B0, $\overline{IORD}$	E7	Output
$\overline{WE1}$ , BS_B1, $\overline{IOWR}$	D7	Output
$\overline{WE2}$ , BS_B2, $\overline{PCOE}$	B6	Output
$\overline{WE3}$ , BS_B3, $\overline{PCWE}$	C6	Output
$\overline{BS\_A}[0:3]$	B7, E8, D8, C8	Output
$\overline{GPL\_A0}$ , $\overline{GPL\_B0}$	D6	Output
$\overline{OE}$ , $\overline{GPL\_A1}$ , $\overline{GPL\_B1}$	E6	Output
$\overline{GPL\_A}[2:3]$ , $\overline{GPL\_B}[2:3]$ , $\overline{CS}[2-3]$	B5, C5	Output
UPWAITA, $\overline{GPL\_A4}$	D3	Bidirectional (3.3 V only)
$\overline{GPL\_A5}$	F5	Output
$\overline{PORESET}$	R2	Input (3.3 V only)
$\overline{RSTCONF}$	L5	Input (3.3 V only)
$\overline{HRESET}$	K5	Open-drain
$\overline{SRESET}$	N4	Open-drain
XTAL	P2	Analog output
EXTAL	N2	Analog input (3.3 V only)
CLKOUT	P7	Output
EXTCLK	P3	Input (3.3 V only)
ALE_A	J2	Output
$\overline{CE1\_A}$	F6	Output
$\overline{CE2\_A}$	C4	Output
$\overline{WAIT\_A}$	P4	Input (3.3 V only)
IP_A0	U3	Input (3.3 V only)

Table 31. Pin Assignments—Non-JEDEC (continued)

Name	Pin Number	Type
IP_A1	N7	Input (3.3 V only)
IP_A2, $\overline{\text{IOIS16\_A}}$	T4	Input (3.3 V only)
IP_A3	N6	Input (3.3 V only)
IP_A4	U4	Input (3.3 V only)
IP_A5	P6	Input (3.3 V only)
IP_A6	N8	Input (3.3 V only)
IP_A7	T3	Input (3.3 V only)
DACK	J3	Bidirectional Three-state (3.3 V only)
IWP[0:1], VFLS[0:1]	J4, H2	Bidirectional (3.3 V only)
OP0	L2	Bidirectional (3.3 V only)
OP1	L3	Output
OP2, MODCK1, $\overline{\text{STS}}$	L4	Bidirectional (3.3 V only)
OP3, MODCK2, DSDO	M2	Bidirectional (3.3 V only)
BADDR[28:29]	M4, M3	Output
BADDR30, $\overline{\text{REG}}$	K4	Output
$\overline{\text{AS}}$	K3	Input (3.3 V only)
PA11, RXD3	F17	Bidirectional (Optional: Open-drain) (5-V tolerant)
PA10, TXD3	J16	Bidirectional (Optional: Open-drain) (5-V tolerant)
PA9, RXD4	K17	Bidirectional (Optional: Open-drain) (5-V tolerant)
PA8, TXD4	K16	Bidirectional (Optional: Open-drain) (5-V tolerant)
PA3, CLK5, BRGO3, TIN3	L17	Bidirectional (5-V tolerant)
PA2, CLK6, $\overline{\text{TOUT3}}$	L15	Bidirectional (5-V tolerant)
PA1, CLK7, BRGO4, TIN4	M16	Bidirectional (5-V tolerant)
PA0, CLK8, $\overline{\text{TOUT4}}$	N17	Bidirectional (5-V tolerant)

Table 31. Pin Assignments—Non-JEDEC (continued)

Name	Pin Number	Type
PB31, $\overline{\text{SPISEL}}$	F14	Bidirectional (Optional: Open-drain) (5-V tolerant)
PB30, SPICLK	G14	Bidirectional (Optional: Open-drain) (5-V tolerant)
PB29, SPIMOSI	E16	Bidirectional (Optional: Open-drain) (5-V tolerant)
PB28, SPIMISO, BRGO4	H14	Bidirectional (Optional: Open-drain) (5-V tolerant)
PB25, SMTXD1	J15	Bidirectional (Optional: Open-drain) (5-V tolerant)
PB24, SMRXD1	J17	Bidirectional (Optional: Open-drain) (5-V tolerant)
PB15, BRGO3	M17	Bidirectional (5-V tolerant)
PC15, $\overline{\text{DREQ0}}$	D17	Bidirectional (5-V tolerant)
PC13, $\overline{\text{RTS3}}$	F15	Bidirectional (5-V tolerant)
PC12, $\overline{\text{RTS4}}$	F16	Bidirectional (5-V tolerant)
PC7, $\overline{\text{CTS3}}$	K15	Bidirectional (5-V tolerant)
PC6, $\overline{\text{CD3}}$	L16	Bidirectional (5-V tolerant)
PC5, $\overline{\text{CTS4}}$ , SDACK1	K14	Bidirectional (5-V tolerant)
PC4, $\overline{\text{CD4}}$	M15	Bidirectional (5-V tolerant)
PD15, MII_RXD3	N15	Bidirectional (5-V tolerant)
PD14, MII_RXD2	P17	Bidirectional (5-V tolerant)
PD13, MII_RXD1	L14	Bidirectional (5-V tolerant)



**Table 31. Pin Assignments—Non-JEDEC (continued)**

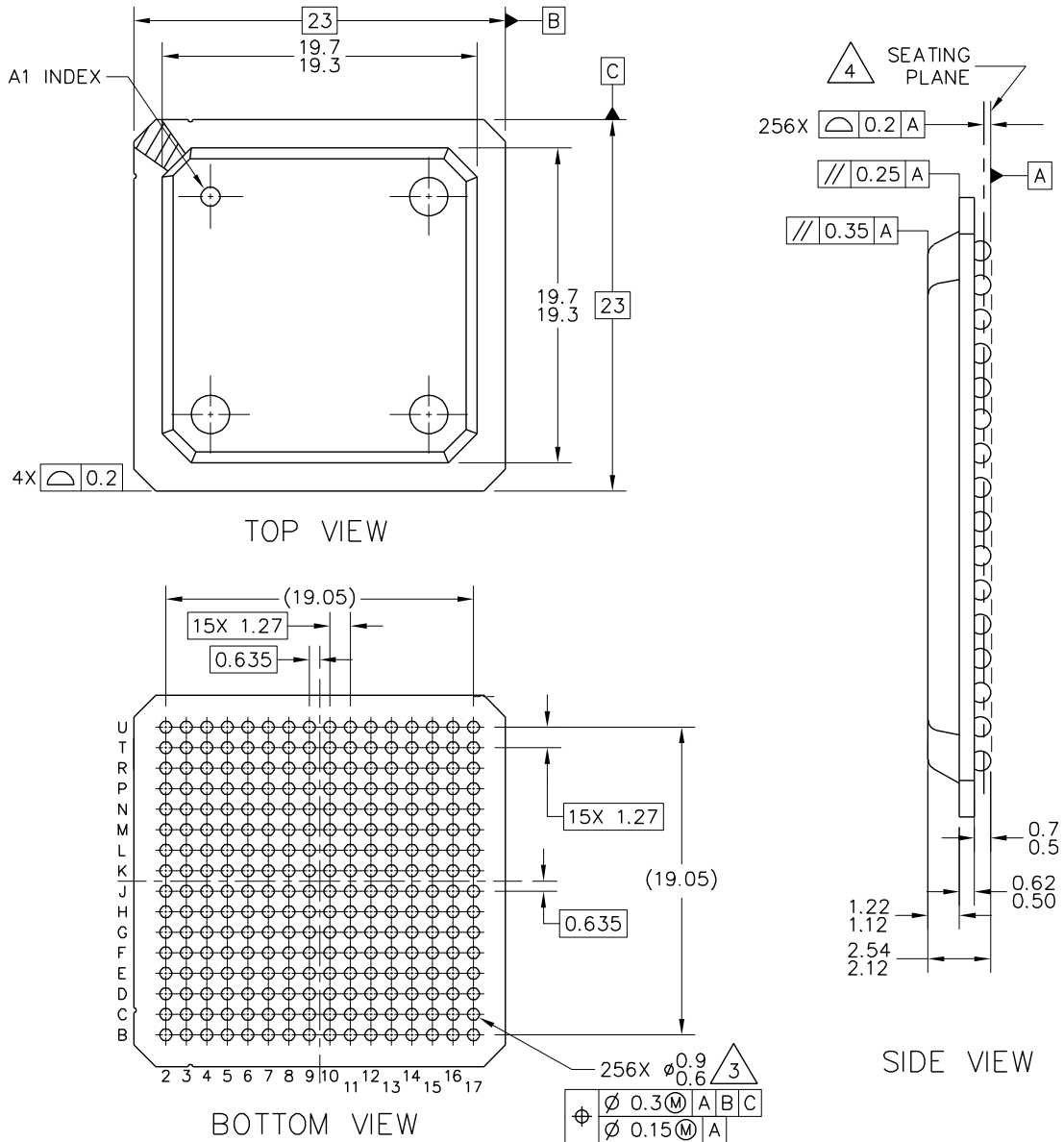
Name	Pin Number	Type
PD12, MII_MDC	P16	Bidirectional (5-V tolerant)
PD11, RXD3, MII_TX_ER	R17	Bidirectional (5-V tolerant)
PD10, TXD3, MII_RXD0	T16	Bidirectional (5-V tolerant)
PD9, RXD4, MII_TXD0	P15	Bidirectional (5-V tolerant)
PD8, TXD4, MII_RX_CLK	N14	Bidirectional (5-V tolerant)
PD7, $\overline{\text{RTS3}}$ , MII_RX_ER	U16	Bidirectional (5-V tolerant)
PD6, $\overline{\text{RTS4}}$ , MII_RX_DV	P14	Bidirectional (5-V tolerant)
PD5, MII_TXD3	T15	Bidirectional (5-V tolerant)
PD4, MII_TXD2	R15	Bidirectional (5-V tolerant)
PD3, MII_TXD1	N13	Bidirectional (5-V tolerant)
TMS	G16	Input (5-V tolerant)
TDI, DSDI	H15	Input (5-V tolerant)
TCK, DSCK	J14	Input (5-V tolerant)
$\overline{\text{TRST}}$	G17	Input (5-V tolerant)
TDO, DSDO	G15	Output (5-V tolerant)
MII_CRS	C7	Input
MII_MDIO	H17	Bidirectional (5-V tolerant)
MII_TX_EN	U15	Output (5-V tolerant)
MII_COL	G3	Input
V <sub>SSSYN</sub>	P5	PLL analog GND

**Table 31. Pin Assignments—Non-JEDEC (continued)**

Name	Pin Number	Type
V <sub>SSSYN1</sub>	R4	PLL analog GND
V <sub>DDSYN</sub>	R3	PLL analog V <sub>DD</sub>
GND	H7, H8, H9, H10, H11, H12, J7, J8, J9, J10, J11, J12, K7, K8, K9, K10, K11, K12, L7, L8, L9, L10, L11, L12	Power
V <sub>DDL</sub>	B8, D2, E17, H16, M5, N3, T2, N16, U9	Power
V <sub>DDH</sub>	G6, G7, G8, G9, G10, G11, G12, G13, H6, H13, J6, J13, K6, K13, L6, L13, M6, M7, M8, M9, M10, M11, M12, M13	Power
N/C	B2, B17, C17, D16, E15, F13, M14, N5, R16, T17, U2, U17	No connect

## 16.2 Mechanical Dimensions of the PBGA Package

For more information on the printed-circuit board layout of the PBGA package, including thermal via design and suggested pad layout, refer to Plastic Ball Grid Array Application Note (order number: AN1231) that is available from your local Freescale sales office. Figure 65 shows the mechanical dimensions of the PBGA package.



### Notes:

- All dimensions are in millimeters.
- Interpret dimensions and tolerances per ASME Y14.5M—1994.
- Maximum solder ball diameter measured parallel to datum A.
- Datum A, the seating plane, is defined by the spherical crowns of the solder balls.

**Note:** Solder sphere composition is 95.5%Sn 45%Ag 0.5%Cu for MPC852TVRXXX.

Solder sphere composition is 62%Sn 36%Pb 2%Ag for MPC852TZTXXX.

**Figure 65. Mechanical Dimensions and Bottom Surface Nomenclature of the PBGA Package**

# 17 Document Revision History

Table 32 lists significant changes between revisions of this document.

**Table 32. Document Revision History**

Revision	Date	Changes
4		<ul style="list-style-type: none"> <li>Updated template.</li> <li>On page 1, updated first paragraph and added a second paragraph.</li> <li>After Table 2, inserted a new figure showing the undershoot/overshoot voltage (Figure 2) and renumbered the rest of the figures.</li> <li>In Table 9, for reset timings B29f and B29g added footnote indicating that the formula only applies to bus operation up to 50 MHz.</li> <li>In Figure 4, changed all reference voltage measurement points from 0.2 and 0.8 V to 50% level.</li> <li>In Table 17, changed num 46 description to read, "TA assertion to rising edge ..."</li> <li>In Figure 42, changed TA to reflect the rising edge of the clock.</li> </ul>
3.1	1/18/2005	Document template update.
3.0	11/2004	<ul style="list-style-type: none"> <li>Added sentence to Spec B1A about EXTCLK and CLKOUT being in Alignment for Integer Values</li> <li>Added a footnote to Spec 41 specifying that EDM = 1</li> <li>Broke the Section 16.1, "Pin Assignments," into 2 smaller sections for the JEDEC and non-JEDEC pinouts.</li> </ul>
2.0	12/2003	Put 852T on the 1st page in place of 8245. Figure 62 on page 59 had overbars added on signals CR (pin G2) and WAIT_A (pin P4).
1.8	7/2003	Changed the pinout to be JEDEC Compliant, changed timing parameters B28a through B28d, and B29d to show that TRLX can be 0 or 1.
1.7	5/2003	Changed the SPI Master Timing Specs. 162 and 164
1.6	4/2003	Changed the package drawing in Figure 15-63
1.5	4/2003	Changed 5 Port C pins with interrupt capability to 7 Port C pins. Added the Note: solder sphere composition for MPC852TVR and MPC852TCVR devices is 95.5%Sn 45%Ag 0.5%Cu to Figure 15-63
1.4	2/2003	Changed Table 15-30 Pin Assignments for the PLL Pins V <sub>SSSYN1</sub> , V <sub>SSSYN</sub> , V <sub>DDSYN</sub>
1.3	1/2003	Added subscripts to timing diagrams for B1-B35, to specify memory controller settings for the specific edges.
1.2	1/2003	In Table 15-30, specified EXTCLK as 3.3 V.
1.1	12/2002	Added fast Ethernet controller to the features
1	11/2002	Added values for 80 and 100 MHz
0	10/2002	Initial release

**THIS PAGE INTENTIONALLY LEFT BLANK**

**THIS PAGE INTENTIONALLY LEFT BLANK**

**THIS PAGE INTENTIONALLY LEFT BLANK**

## How to Reach Us:

### Home Page:

[www.freescale.com](http://www.freescale.com)

### Web Support:

<http://www.freescale.com/support>

### USA/Europe or Locations Not Listed:

Freescale Semiconductor, Inc.  
 Technical Information Center, EL516  
 2100 East Elliot Road  
 Tempe, Arizona 85284  
 +1-800-521-6274 or  
 +1-480-768-2130  
[www.freescale.com/support](http://www.freescale.com/support)

### Europe, Middle East, and Africa:

Freescale Halbleiter Deutschland GmbH  
 Technical Information Center  
 Schatzbogen 7  
 81829 Muenchen, Germany  
 +44 1296 380 456 (English)  
 +46 8 52200080 (English)  
 +49 89 92103 559 (German)  
 +33 1 69 35 48 48 (French)  
[www.freescale.com/support](http://www.freescale.com/support)

### Japan:

Freescale Semiconductor Japan Ltd.  
 Headquarters  
 ARCO Tower 15F  
 1-8-1, Shimo-Meguro, Meguro-ku  
 Tokyo 153-0064  
 Japan  
 0120 191014 or  
 +81 3 5437 9125  
[support.japan@freescale.com](mailto:support.japan@freescale.com)

### Asia/Pacific:

Freescale Semiconductor Hong Kong Ltd.  
 Technical Information Center  
 2 Dai King Street  
 Tai Po Industrial Estate  
 Tai Po, N.T., Hong Kong  
 +800 2666 8080  
[support.asia@freescale.com](mailto:support.asia@freescale.com)

### For Literature Requests Only:

Freescale Semiconductor  
 Literature Distribution Center  
 P.O. Box 5405  
 Denver, Colorado 80217  
 +1-800 441-2447 or  
 +1-303-675-2140  
 Fax: +1-303-675-2150  
[LDCForFreescaleSemiconductor@hibbertgroup.com](mailto:LDCForFreescaleSemiconductor@hibbertgroup.com)

Information in this document is provided solely to enable system and software implementers to use Freescale Semiconductor products. There are no express or implied copyright licenses granted hereunder to design or fabricate any integrated circuits or integrated circuits based on the information in this document.

Freescale Semiconductor reserves the right to make changes without further notice to any products herein. Freescale Semiconductor makes no warranty, representation or guarantee regarding the suitability of its products for any particular purpose, nor does Freescale Semiconductor assume any liability arising out of the application or use of any product or circuit, and specifically disclaims any and all liability, including without limitation consequential or incidental damages. "Typical" parameters which may be provided in Freescale Semiconductor data sheets and/or specifications can and do vary in different applications and actual performance may vary over time. All operating parameters, including "Typicals" must be validated for each customer application by customer's technical experts. Freescale Semiconductor does not convey any license under its patent rights nor the rights of others. Freescale Semiconductor products are not designed, intended, or authorized for use as components in systems intended for surgical implant into the body, or other applications intended to support or sustain life, or for any other application in which the failure of the Freescale Semiconductor product could create a situation where personal injury or death may occur. Should Buyer purchase or use Freescale Semiconductor products for any such unintended or unauthorized application, Buyer shall indemnify and hold Freescale Semiconductor and its officers, employees, subsidiaries, affiliates, and distributors harmless against all claims, costs, damages, and expenses, and reasonable attorney fees arising out of, directly or indirectly, any claim of personal injury or death associated with such unintended or unauthorized use, even if such claim alleges that Freescale Semiconductor was negligent regarding the design or manufacture of the part.

Freescale™ and the Freescale logo are trademarks of Freescale Semiconductor, Inc. The Power Architecture and Power.org word marks and the Power and Power.org logos and related marks are trademarks and service marks licensed by Power.org. The described product contains a PowerPC processor core. The PowerPC name is a trademark of IBM Corp. and used under license. IEEE 1149.1 and 802.3 are trademarks or registered trademarks of the Institute of Electrical and Electronics Engineers, Inc. (IEEE). This product is not endorsed or approved by the IEEE. All other product or service names are the property of their respective owners.

© Freescale Semiconductor, Inc., 2004, 2007. All rights reserved.

