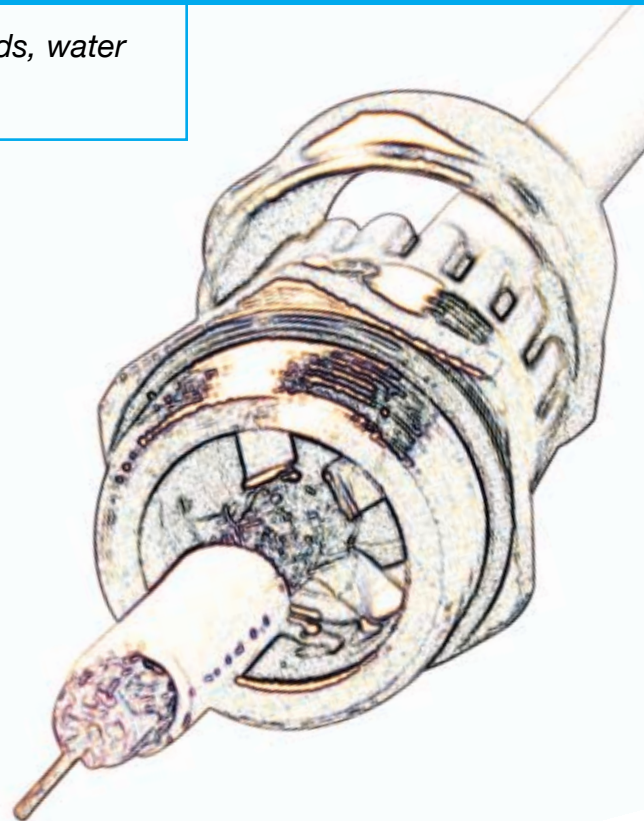
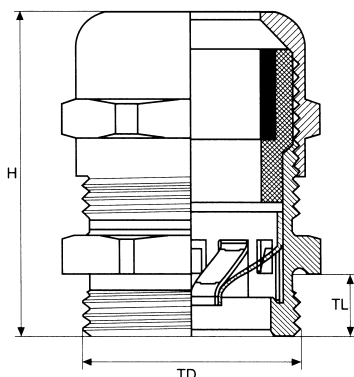


# EMC CABLE GLANDS METRIC

The latest technology suitable for the highest demands, water tight, offering excellent strain relief.

## TECHNICAL DETAILS:

Material	Brass, Nickel Plated
Clamping Insert	Polyamide 6
Sealing	Neoprene
O Ring	NBR
Protection Class	IP 68
Temp. Range	-40°C to + 100°C



## Metric EMC Grounding Cord Connectors

Metric Size	Part Number	Thread Diameter mm	Thread Diameter inches	Min. Shield Diameter mm	Cap Diameter mm	Body Diameter mm	Diameter Range mm	Diameter Range inches
M12X1.5	BMEM-0S	12	6.0	2.5	14	14	3.0 - 6.5	.118 - .256
M16X1.5	BMEM-01	16	7.0	3.0	17	18	4.0 - 8.0	.158 - .315
M20X1.5	BMEM-02	20	8.0	5.0	22	22	6.0 - 12.0	.197 - .394
M25X1.5	BMEM-03	25	8.0	8.0	24	27	10.0 - 14.0	.236 - .473
M32X1.5	BMEM-04	32	9.0	11.0	30	34	13.0 - 18.0	.512 - .709
M40X1.5	BMEM-05	40	9.0	16.0	40	43	18.0 - 25.0	.709 - .985
M50X1.5	BMEM-06	50	9.0	19.0	50	55	22.0 - 32.0	.867 - 1.261
M63X1.5	BMEM-07	63	14.0	30.0	64	68	34.0 - 44.0	1.340 - 1.734

## Metric EMC With Long Thread

Metric Size	Part Number	Thread Diameter mm	Thread Diameter inches	Min. Shield Diameter mm	Cap Diameter mm	Body Diameter mm	Diameter Range mm	Diameter Range inches
M12X1.5	BMEN-0S	12	12.0	2.5	14	14	3.0 - 6.5	.118 - .256
M16X1.5	BMEN-01	16	12.0	3.0	17	18	4.0 - 8.0	.158 - .315
M20X1.5	BMEN-02	20	12.0	5.0	22	22	6.0 - 12.0	.197 - .394
M25X1.5	BMEN-03	25	12.0	8.0	24	27	10.0 - 14.0	.236 - .473
M32X1.5	BMEN-04	32	15.0	11.0	30	34	13.0 - 18.0	.512 - .709
M40X1.5	BMEN-05	40	15.0	16.0	40	43	16.0 - 25.0	.630 - .985
M50X1.5	BMEN-06	50	15.0	19.0	50	55	55.0 - 32.0	1.261 - 1.261
M63X1.5	BMEN-07	63	18.0	30.0	64	68	34.0 - 44.0	1.340 - 1.734

Various colors, materials and sizes available upon request.

E-mail: [info@sabcable.com](mailto:info@sabcable.com)



Web site: [www.sabcable.com](http://www.sabcable.com)