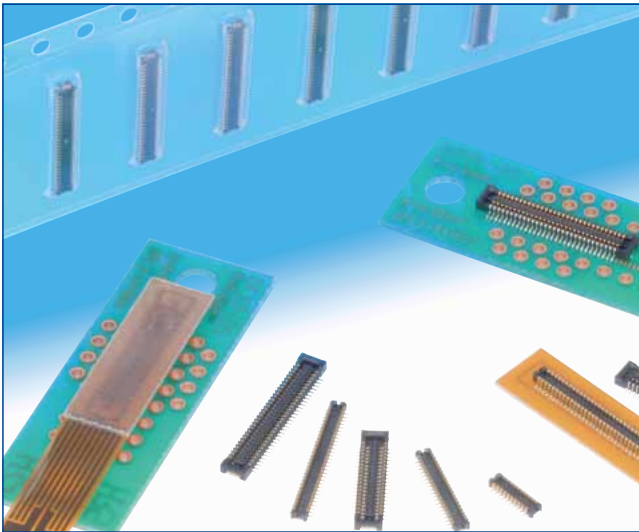


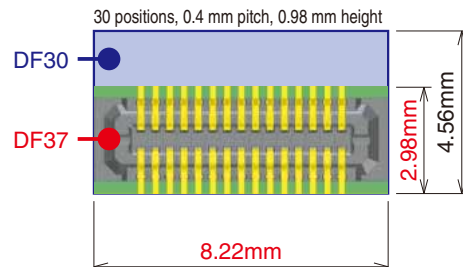
0.4 mm Pitch, 0.98/1.5mm Mated Height, Board-to-Board / Board-to-FPC Connectors

DF37 Series



Further reduction of the board space.

Comparison of board mounting space



Features

1. Reduced size and board-occupied area

With the mated height of 0.98/1.5mm, width of 2.98mm and length of 8.22 mm (30 positions) the connectors are one of the smallest in its class. Also 2.6mm depth short-lead type is available.

Sufficiently large flat areas allow pick-up with vacuum nozzles of automatic placement equipment.

2. Reliable electrical and mechanical connection

Despite its small mated height, unique contact configuration, with a 2-point contacts and effective mating length of 0.25mm, assures highly reliable connection while confirming a complete mating with a definite tactile feel.

3. Self alignment

Recognizing the difficulties of mating extremely small connectors in limited spaces, the connectors will self-align within 0.3mm.

4. Physical shock and vibration protection

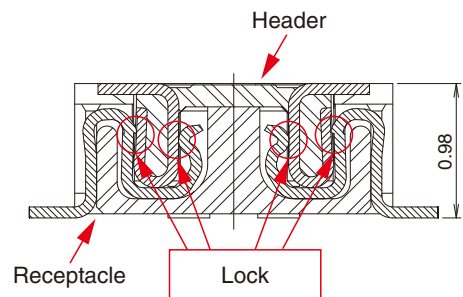
2-point contact assures electrical connection in a shock or vibration applications.

5. Solder wicking prevention

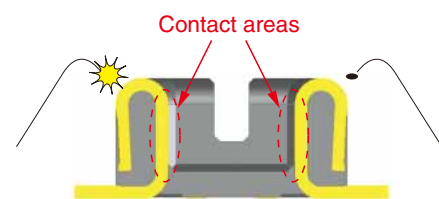
Nickel barriers (receptacles) and unique forming of the contacts (headers) prevent un-intentional solder wicking.

6. Contamination protection

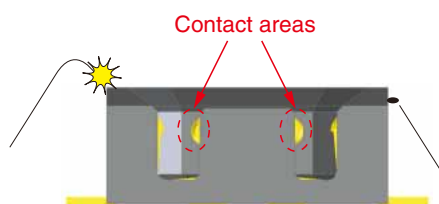
Insulator walls protect the contact areas against flux splatter or other physical particles contamination.



Splatter protection



Contact areas are not exposed to the outside penetration of the flux or other physical particles.



Specifications

| | | | | | | |
|---------|----------------|-------------|-----------------------------|-------------------------|---------------------------|-------------------------|
| Ratings | Current rating | 0.3 A | Operating temperature range | -35°C to +85°C (Note 1) | Storage temperature range | -10°C to +60°C (Note 2) |
| | Voltage rating | 30 V AC, DC | Operating humidity range | RH 20% to 80% | Storage humidity range | RH 40% to 70% (Note 2) |

| Item | Specification | Conditions |
|---------------------------------|---|---|
| 1. Insulation resistance | 50 MΩ min | 100 V DC |
| 2. Withstanding voltage | No flashover or insulation breakdown | 100 V AC / 1minute |
| 3. Contact resistance | 100 mΩ max. | 20 mV AC, 1 kHz, 1 mA |
| 4. Vibration | No electrical discontinuity of 1 μs or longer No damage or parts dislocation | Frequency: 10 to 55 Hz, single amplitude of 0.75 mm, 2 hours, 3 axis |
| 5. Humidity | Contact resistance: 100 mΩ max., Insulation resistance: 25 MΩ min. | 96 hours at 40 ±2°C and humidity of 90 to 95% No damage or parts dislocation |
| 6. Temperature cycle | Contact resistance: 100 mΩ max., Insulation resistance: 50 MΩ min. No damage or parts dislocation | -55°C → 5 to 35°C → 85°C → 5 to 35°C Time: 30 min. → 10 min. → 30 min. → 10 min. 5 cycles |
| 7. Durability | Contact resistance: 100 mΩ max. | 10 cycles |
| 8. Resistance to soldering heat | No deformation of components affecting performance | Reflow: At the recommended temperature profile Manual soldering: 350°C for 3 seconds |

Note 1: Includes temperature rise caused by current flow.

Note 2: The term "storage" here refers to products stored for a long period prior to board mounting and use.

The operating temperature and humidity range covers the non-conducting condition of connectors after board mounting and the temporary storage conditions of transportation, etc.

Materials

Receptacle

| Part | Material | Finish | Remarks |
|-----------|----------|--------------|---------|
| Insulator | LCP | Color: Black | UL94V-0 |

Header

| Part | Material | Finish | Remarks |
|----------|-----------------|-------------|---------|
| Contacts | Phosphor bronze | Gold plated | _____ |

Ordering Information

● Receptacles **DF 37 # - (**) - * DS - 0.4 V (**)**

①
②
③
④
⑤
⑥
⑦
⑧

| | |
|---|---|
| ① Series name : DF37 | ⑤ Connector style DS: Receptacle |
| ② Configuration NB: With metal fittings NC: Without metal fittings SB: Short-lead type with metal fittings | ⑥ Contact pitch : 0.4 mm |
| ③ Stacking height Blank: 0.98mm, 1.5: 1.5mm | ⑦ Terminal type V: SMT vertical mount |
| ④ Number of contacts | ⑧ Packaging (51): Embossed tape packaging (8,000 pieces per reel) (53): Embossed tape packaging (1,000 pieces per reel) |

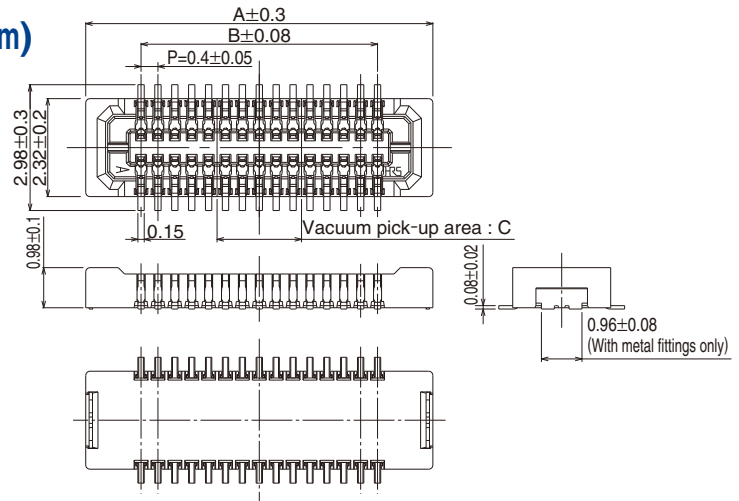
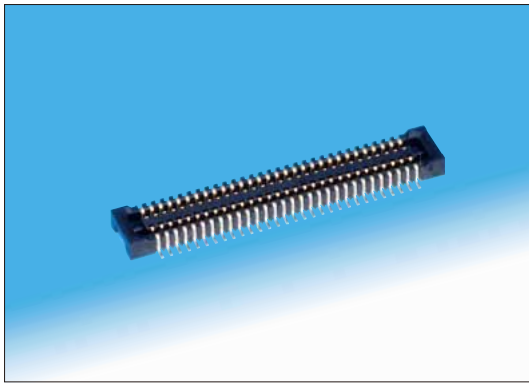
● Headers **DF 37 # - * DP - 0.4 V (**)**

①
②
③
④
⑤
⑥
⑦

| | |
|--|---|
| ① Series name : DF37 | ④ Connector style DP: Header |
| ② Configuration B: With metal fittings C: Without metal fittings | ⑤ Contact pitch : 0.4 mm |
| ③ Number of contacts | ⑥ Terminal type V: SMT vertical mount |
| | ⑦ Packaging (51): Embossed tape packaging (8,000 pieces per reel) (53): Embossed tape packaging (1,000 pieces per reel) |

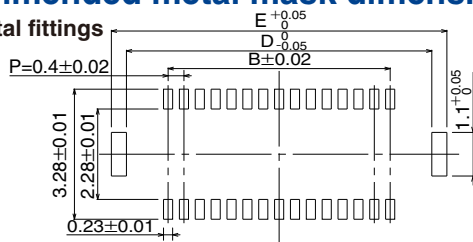
Note : The short-lead type is only available for the receptacle side (with hardware).

■ Receptacles (Stacking Height=0.98mm)

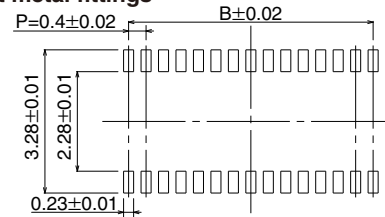


■ Recommended metal mask dimensions

With metal fittings

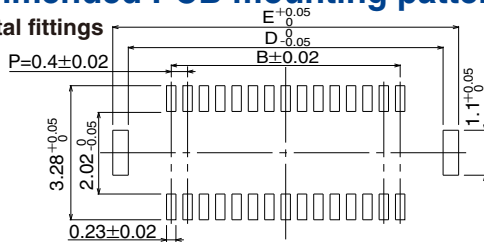


Without metal fittings

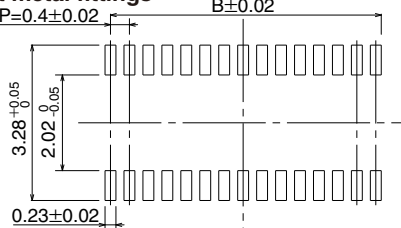


■ Recommended PCB mounting pattern

With metal fittings



Without metal fittings



● With metal fittings

Unit: mm

| Part Number | CL No. | Number of Contacts | A | B | C | D | E |
|----------------------|---------------|--------------------|-------|------|-----|------|-------|
| DF37NB-10DS-0.4V(51) | 684-3301-6-51 | 10 | 4.22 | 1.6 | 0.8 | 3.7 | 4.46 |
| DF37NB-16DS-0.4V(51) | 684-3302-9-51 | 16 | 5.42 | 2.8 | 1.2 | 4.9 | 5.66 |
| DF37NB-20DS-0.4V(51) | 684-3303-1-51 | 20 | 6.22 | 3.6 | 1.6 | 5.7 | 6.46 |
| DF37NB-24DS-0.4V(51) | 684-3304-4-51 | 24 | 7.02 | 4.4 | 2 | 6.5 | 7.26 |
| DF37NB-30DS-0.4V(51) | 684-3305-7-51 | 30 | 8.22 | 5.6 | 2 | 7.7 | 8.46 |
| DF37NB-34DS-0.4V(51) | 684-3082-4-51 | 34 | 9.02 | 6.4 | 2.4 | 8.5 | 9.26 |
| DF37NB-40DS-0.4V(51) | 684-3306-0-51 | 40 | 10.22 | 7.6 | 2.4 | 9.7 | 10.46 |
| DF37NB-44DS-0.4V(51) | 684-3407-7-51 | 44 | 11.02 | 8.4 | 2.8 | 10.5 | 11.26 |
| DF37NB-50DS-0.4V(51) | 684-3307-2-51 | 50 | 12.22 | 9.6 | 2.8 | 11.7 | 12.46 |
| DF37NB-60DS-0.4V(51) | 684-3308-5-51 | 60 | 14.22 | 11.6 | 3.2 | 13.7 | 14.46 |
| DF37NB-70DS-0.4V(51) | 684-3409-2-51 | 70 | 16.22 | 13.6 | 3.6 | 15.7 | 16.46 |
| DF37NB-74DS-0.4V(51) | 684-3080-9-51 | 74 | 17.02 | 14.4 | 4 | 16.5 | 17.26 |

● Without metal fittings

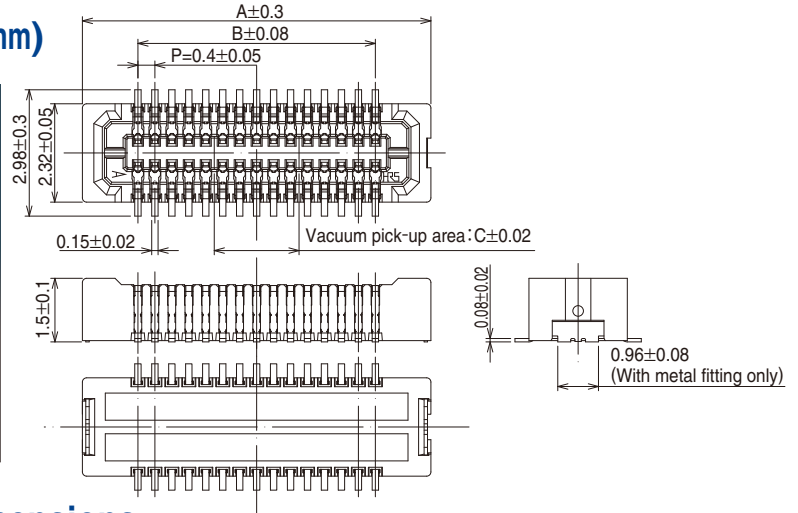
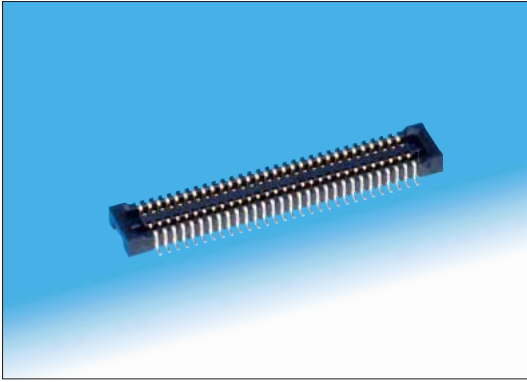
Unit: mm

| Part Number | CL No. | Number of Contacts | A | B | C |
|----------------------|---------------|--------------------|-------|------|-----|
| DF37NC-10DS-0.4V(51) | 684-3309-8-51 | 10 | 4.22 | 1.6 | 0.8 |
| DF37NC-16DS-0.4V(51) | 684-3310-7-51 | 16 | 5.42 | 2.8 | 1.2 |
| DF37NC-20DS-0.4V(51) | 684-3311-0-51 | 20 | 6.22 | 3.6 | 1.6 |
| DF37NC-24DS-0.4V(51) | 684-3312-2-51 | 24 | 7.02 | 4.4 | 2 |
| DF37NC-30DS-0.4V(51) | 684-3313-5-51 | 30 | 8.22 | 5.6 | 2 |
| DF37NC-34DS-0.4V(51) | 684-3083-7-51 | 34 | 9.02 | 6.4 | 2.4 |
| DF37NC-40DS-0.4V(51) | 684-3314-8-51 | 40 | 10.22 | 7.6 | 2.4 |
| DF37NC-44DS-0.4V(51) | 684-3324-1-51 | 44 | 11.02 | 8.4 | 2.8 |
| DF37NC-50DS-0.4V(51) | 684-3315-0-51 | 50 | 12.22 | 9.6 | 2.8 |
| DF37NC-60DS-0.4V(51) | 684-3316-3-51 | 60 | 14.22 | 11.6 | 3.2 |
| DF37NC-70DS-0.4V(51) | 684-3084-0-51 | 70 | 16.22 | 13.6 | 3.6 |
| DF37NC-74DS-0.4V(51) | 684-3081-1-51 | 74 | 17.02 | 14.4 | 4 |

Note 1: Tape and reel packaging (8,000 pieces/reel). Order by number of reels.

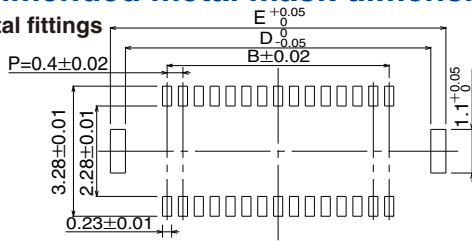
Note 2: This connector is NOT polarized.

■ Receptacles (Stacking Height=1.5mm)

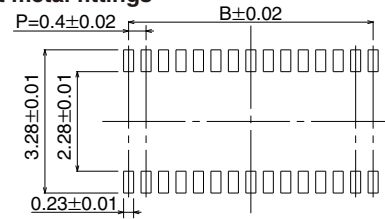


■ Recommended metal mask dimensions

With metal fittings

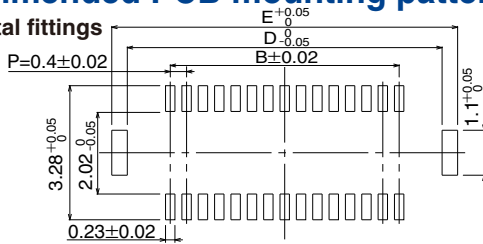


Without metal fittings

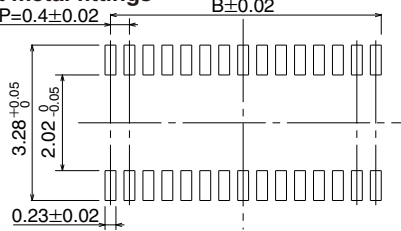


■ Recommended PCB mounting pattern

With metal fittings



Without metal fittings



● With metal fittings

Unit: mm

| Part Number | CL No. | Number of Contacts | A | B | C | D | E |
|---------------------------|---------------|--------------------|------|-----|---|-----|------|
| DF37NB(1.5)-24DS-0.4V(51) | 684-3602-2-51 | 24 | 7.02 | 4.4 | 2 | 6.5 | 7.26 |

● Without metal fittings

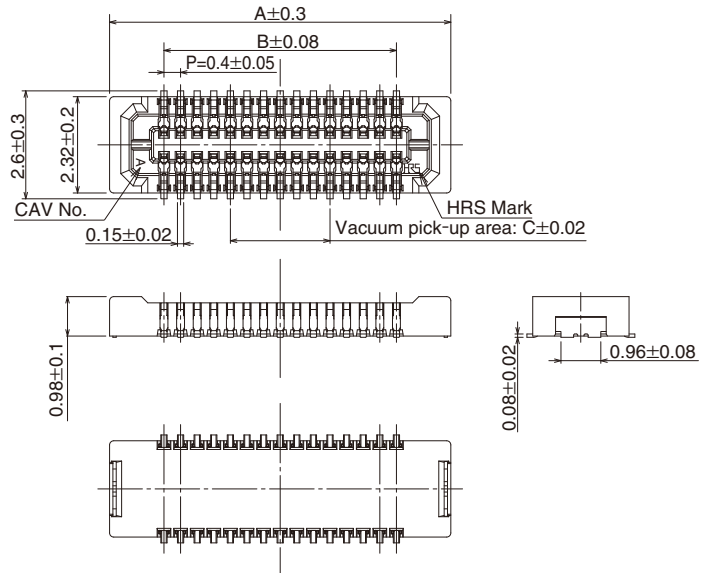
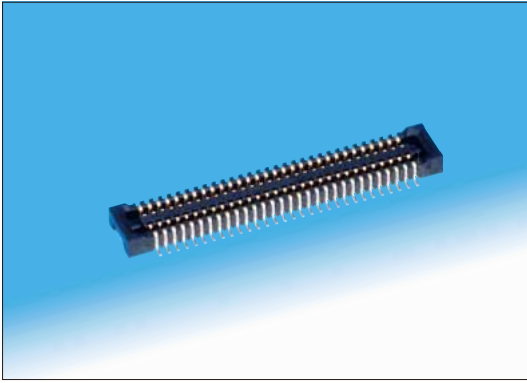
Unit: mm

| Part Number | CL No. | Number of Contacts | A | B | C |
|---------------------------|---------------|--------------------|-------|------|-----|
| DF37NC(1.5)-24DS-0.4V(51) | 684-3603-5-51 | 24 | 7.02 | 4.4 | 2 |
| DF37NC(1.5)-30DS-0.4V(51) | 684-3604-8-51 | 30 | 8.22 | 5.6 | 2 |
| DF37NC(1.5)-50DS-0.4V(51) | 684-3610-0-51 | 50 | 12.22 | 9.6 | 2.8 |
| DF37NC(1.5)-60DS-0.4V(51) | 684-3613-9-51 | 60 | 14.22 | 11.6 | 3.2 |
| DF37NC(1.5)-70DS-0.4V(51) | 684-3614-1-51 | 70 | 16.22 | 13.6 | 3.6 |

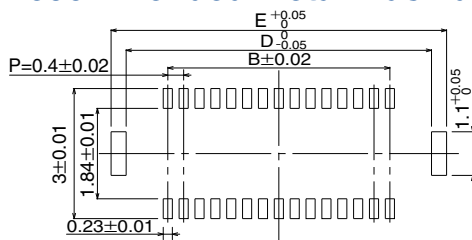
Note 1: Tape and reel packaging (8,000 pieces/reel). Order by number of reels.

Note 2: This connector is NOT polarized.

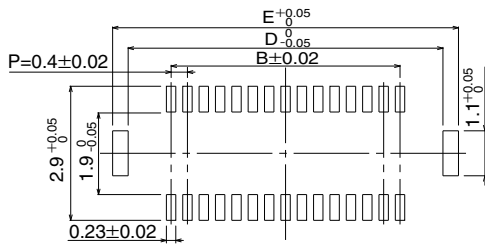
■ Receptacles (DF37SB)



■ Recommended metal mask dimensions



■ Recommended PCB mounting pattern



● With metal fittings

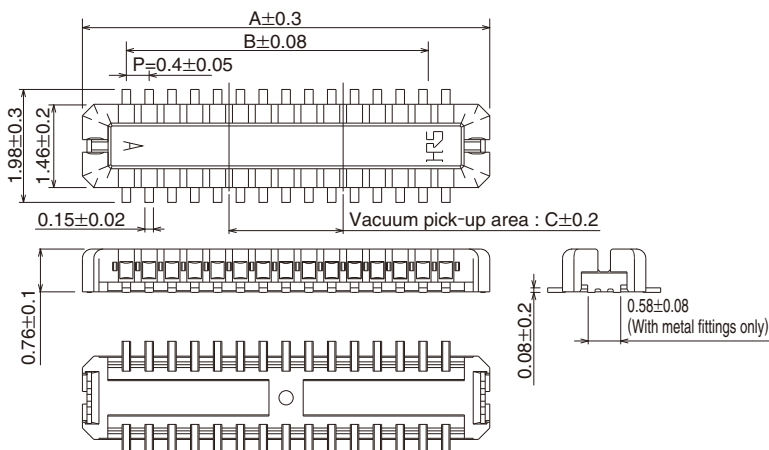
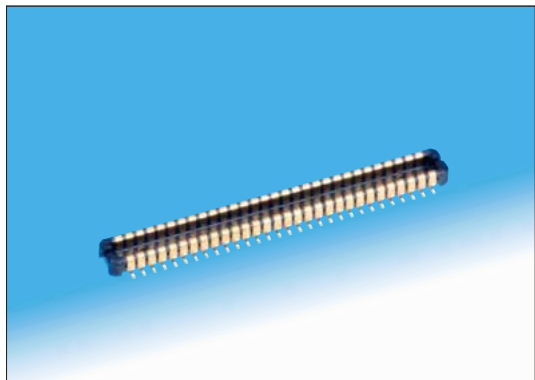
Unit: mm

| Part Number | CL No. | Number of Contacts | A | B | C | D | E |
|----------------------|---------------|--------------------|-------|-----|-----|------|-------|
| DF37SB-20DS-0.4V(51) | 684-3502-8-51 | 20 | 6.22 | 3.6 | 1.6 | 5.7 | 6.46 |
| DF37SB-24DS-0.4V(51) | 684-3503-0-51 | 24 | 7.02 | 4.4 | 2 | 6.5 | 7.26 |
| DF37SB-30DS-0.4V(51) | 684-3504-3-51 | 30 | 8.22 | 5.6 | 2 | 7.7 | 8.46 |
| DF37SB-34DS-0.4V(51) | 684-3505-6-51 | 34 | 9.02 | 6.4 | 2.4 | 8.5 | 9.26 |
| DF37SB-40DS-0.4V(51) | 684-3506-9-51 | 40 | 10.22 | 7.6 | 2.4 | 9.7 | 10.46 |
| DF37SB-50DS-0.4V(51) | 684-3507-1-51 | 50 | 12.22 | 9.6 | 2.8 | 11.7 | 12.46 |

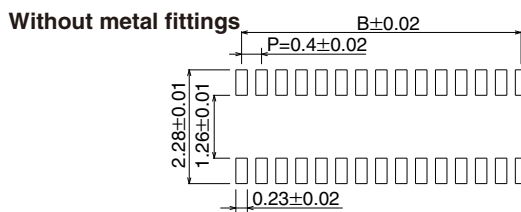
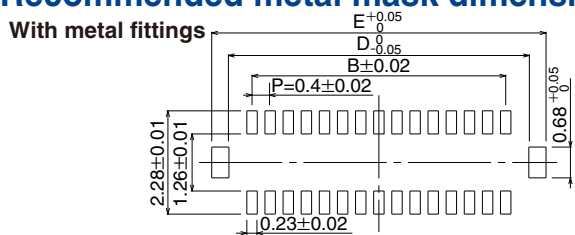
Note 1: Tape and reel packaging (8,000 pieces/reel). Order by number of reels.

Note 2: This connector is NOT polarized.

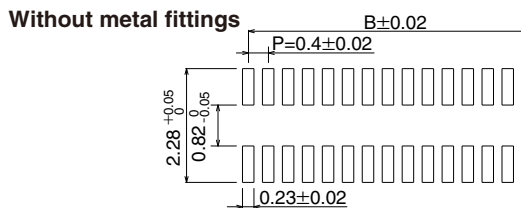
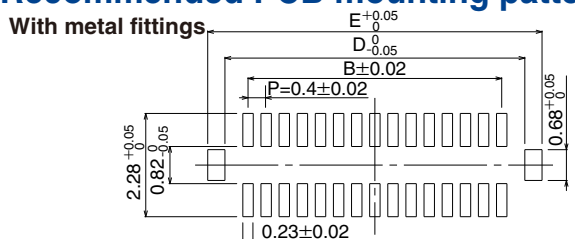
Headers



Recommended metal mask dimensions



Recommended PCB mounting pattern



With metal fittings

Unit: mm

| Part Number | CL No. | Number of Contacts | A | B | C | D | E |
|---------------------|---------------|--------------------|-------|------|-----|-------|-------|
| DF37B-10DP-0.4V(51) | 684-3037-0-51 | 10 | 3.14 | 1.6 | 0.8 | 2.62 | 3.38 |
| DF37B-16DP-0.4V(51) | 684-3057-7-51 | 16 | 4.34 | 2.8 | 1.2 | 3.82 | 4.58 |
| DF37B-20DP-0.4V(51) | 684-3008-1-51 | 20 | 5.17 | 3.6 | 1.6 | 4.62 | 5.38 |
| DF37B-24DP-0.4V(51) | 684-3009-4-51 | 24 | 5.94 | 4.4 | 2 | 5.42 | 6.18 |
| DF37B-30DP-0.4V(51) | 684-3010-3-51 | 30 | 7.14 | 5.6 | 2 | 6.62 | 7.38 |
| DF37B-34DP-0.4V(51) | 684-3064-2-51 | 34 | 7.94 | 6.4 | 2.4 | 7.42 | 8.18 |
| DF37B-40DP-0.4V(51) | 684-3011-6-51 | 40 | 9.14 | 7.6 | 2.4 | 8.62 | 9.38 |
| DF37B-44DP-0.4V(51) | 684-3408-0-51 | 44 | 9.94 | 8.4 | 2.8 | 9.42 | 10.18 |
| DF37B-50DP-0.4V(51) | 684-3012-9-51 | 50 | 11.14 | 9.6 | 2.8 | 10.62 | 11.38 |
| DF37B-60DP-0.4V(51) | 684-3013-1-51 | 60 | 13.14 | 11.6 | 3.2 | 12.62 | 13.38 |
| DF37B-70DP-0.4V(51) | 684-3014-4-51 | 70 | 15.14 | 13.6 | 3.6 | 14.62 | 15.38 |
| DF37B-74DP-0.4V(51) | 684-3071-8-51 | 74 | 15.94 | 14.4 | 4 | 15.42 | 16.18 |

Without metal fittings

Unit: mm

| Part Number | CL No. | Number of Contacts | A | B | C |
|---------------------|---------------|--------------------|-------|------|-----|
| DF37C-10DP-0.4V(51) | 684-3039-5-51 | 10 | 3.14 | 1.6 | 0.8 |
| DF37C-16DP-0.4V(51) | 684-3058-0-51 | 16 | 4.34 | 2.8 | 1.2 |
| DF37C-20DP-0.4V(51) | 684-3024-8-51 | 20 | 5.17 | 3.6 | 1.6 |
| DF37C-24DP-0.4V(51) | 684-3025-0-51 | 24 | 5.94 | 4.4 | 2 |
| DF37C-30DP-0.4V(51) | 684-3026-3-51 | 30 | 7.14 | 5.6 | 2 |
| DF37C-34DP-0.4V(51) | 684-3085-2-51 | 34 | 7.94 | 6.4 | 2.4 |
| DF37C-40DP-0.4V(51) | 684-3027-6-51 | 40 | 9.14 | 7.6 | 2.4 |
| DF37C-44DP-0.4V(51) | 684-3089-3-51 | 44 | 9.94 | 8.4 | 2.8 |
| DF37C-50DP-0.4V(51) | 684-3028-9-51 | 50 | 11.14 | 9.6 | 2.8 |
| DF37C-60DP-0.4V(51) | 684-3029-1-51 | 60 | 13.14 | 11.6 | 3.2 |
| DF37C-70DP-0.4V(51) | 684-3030-0-51 | 70 | 15.14 | 13.6 | 3.6 |
| DF37C-74DP-0.4V(51) | 684-3073-3-51 | 74 | 15.94 | 14.4 | 4 |

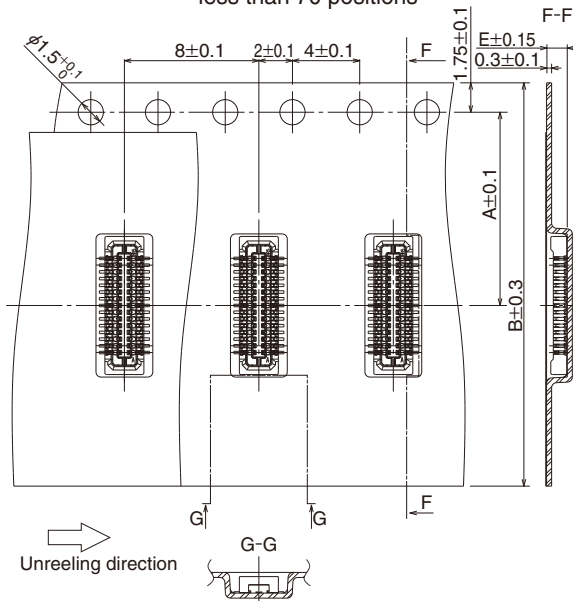
Note 1: Tape and reel packaging (8,000 pieces/reel). Order by number of reels.

Note 2: This connector is NOT polarized.

■ Embossed Carrier Tape Dimensions

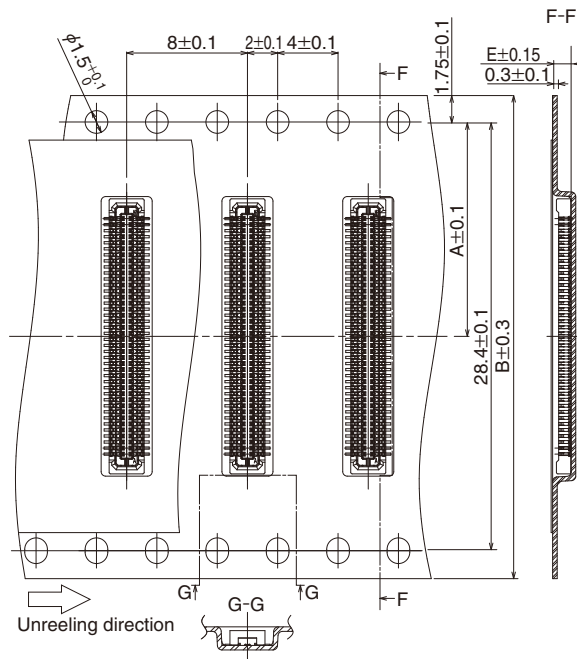
● Receptacle (less than 70 positions)

less than 70 positions



● Receptacle (70 positions and more)

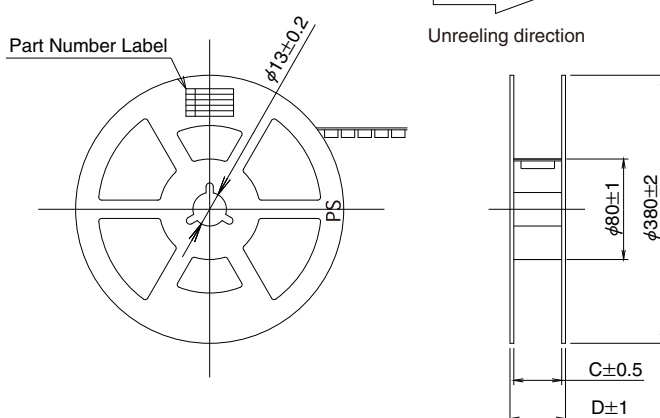
70 positions and above



Unit: mm

| Part Number | A | B | C | D | E |
|--------------------------|------|----|------|------|------|
| DF37#(1.5)-24DS-0.4V(51) | 7.5 | 16 | 17.5 | 21.5 | 1.75 |
| DF37#(1.5)-30DS-0.4V(51) | 11.5 | 24 | 25.5 | 29.5 | 1.75 |
| DF37#(1.5)-50DS-0.4V(51) | 11.5 | 24 | 25.5 | 29.5 | 1.75 |
| DF37#(1.5)-60DS-0.4V(51) | 11.5 | 24 | 25.5 | 29.5 | 1.75 |
| DF37#(1.5)-70DS-0.4V(51) | 14.2 | 32 | 33.5 | 37.5 | 1.75 |

● Reel Dimensions



Unit: mm

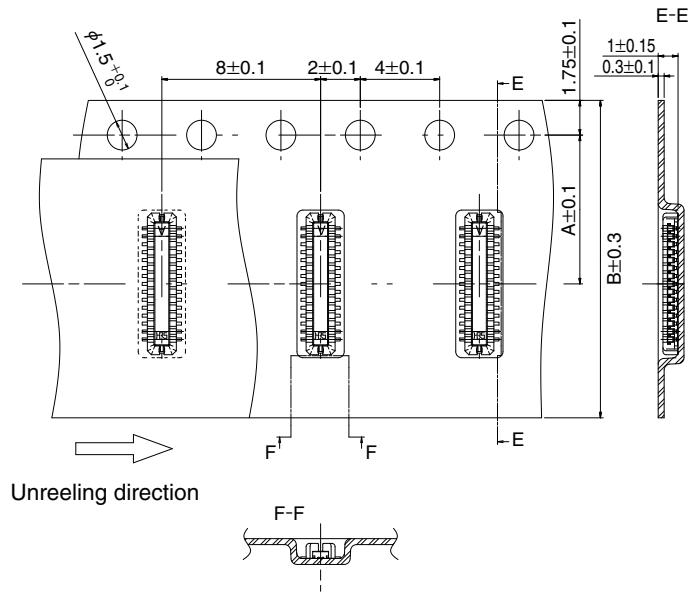
| Part Number | A | B | C | D | E |
|---------------------|------|----|------|------|------|
| DF37#-10DS-0.4V(51) | 7.5 | 16 | 17.5 | 21.5 | 1.23 |
| DF37#-16DS-0.4V(51) | 7.5 | 16 | 17.5 | 21.5 | 1.23 |
| DF37#-20DS-0.4V(51) | 7.5 | 16 | 17.5 | 21.5 | 1.23 |
| DF37#-24DS-0.4V(51) | 7.5 | 16 | 17.5 | 21.5 | 1.23 |
| DF37#-30DS-0.4V(51) | 11.5 | 24 | 25.5 | 29.5 | 1.23 |
| DF37#-34DS-0.4V(51) | 11.5 | 24 | 25.5 | 29.5 | 1.23 |
| DF37#-40DS-0.4V(51) | 11.5 | 24 | 25.5 | 29.5 | 1.23 |
| DF37#-44DS-0.4V(51) | 11.5 | 24 | 25.5 | 29.5 | 1.23 |
| DF37#-50DS-0.4V(51) | 11.5 | 24 | 25.5 | 29.5 | 1.23 |
| DF37#-60DS-0.4V(51) | 11.5 | 24 | 25.5 | 29.5 | 1.23 |
| DF37#-70DS-0.4V(51) | 14.2 | 32 | 33.5 | 37.5 | 1.23 |
| DF37#-74DS-0.4V(51) | 14.2 | 32 | 33.5 | 37.5 | 1.23 |

#: NB or NC, SB

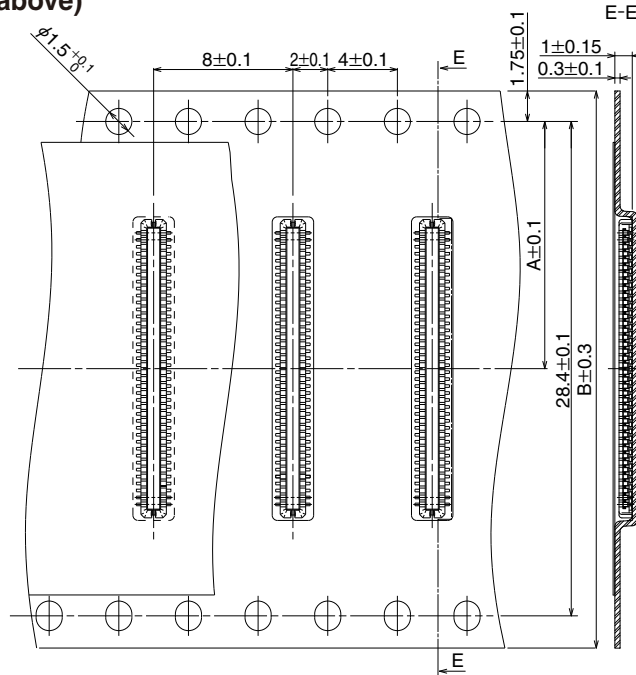
Tape and reel packaging (8,000 pieces/reel).

■ Embossed Carrier Tape Dimensions

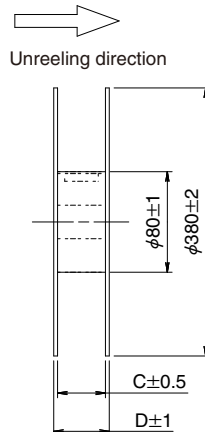
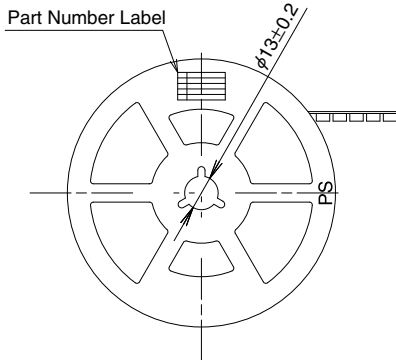
● Header (less than 74 positions)



● Header (74 positions and above)



● Reel Dimensions



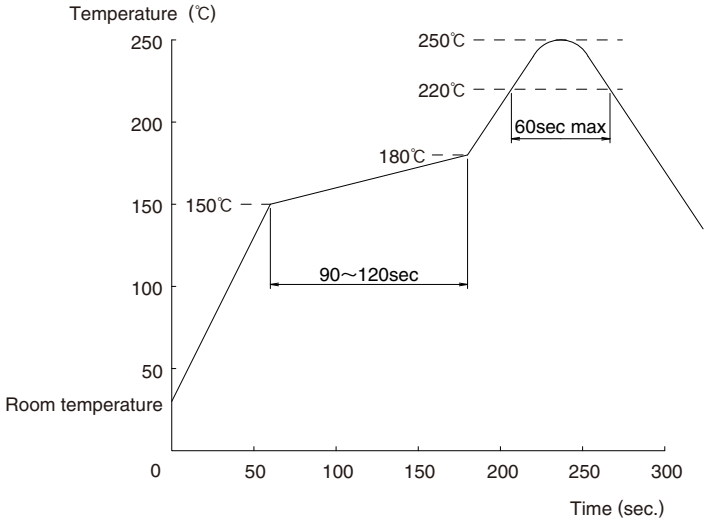
Unit: mm

| Part Number | A | B | C | D |
|---------------------|------|----|------|------|
| DF37#-10DP-0.4V(51) | 5.5 | 12 | 13.5 | 17.5 |
| DF37#-16DP-0.4V(51) | 7.5 | 16 | 17.5 | 21.5 |
| DF37#-20DP-0.4V(51) | 7.5 | 16 | 17.5 | 21.5 |
| DF37#-24DP-0.4V(51) | 7.5 | 16 | 17.5 | 21.5 |
| DF37#-30DP-0.4V(51) | 7.5 | 16 | 17.5 | 21.5 |
| DF37#-34DP-0.4V(51) | 7.5 | 16 | 17.5 | 21.5 |
| DF37#-40DP-0.4V(51) | 11.5 | 24 | 25.5 | 29.5 |
| DF37#-44DP-0.4V(51) | 11.5 | 24 | 25.5 | 29.5 |
| DF37#-50DP-0.4V(51) | 11.5 | 24 | 25.5 | 29.5 |
| DF37#-60DP-0.4V(51) | 11.5 | 24 | 25.5 | 29.5 |
| DF37#-70DP-0.4V(51) | 11.5 | 24 | 25.5 | 29.5 |
| DF37#-74DP-0.4V(51) | 14.2 | 32 | 33.5 | 37.5 |

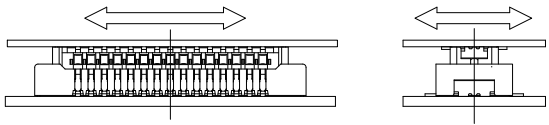
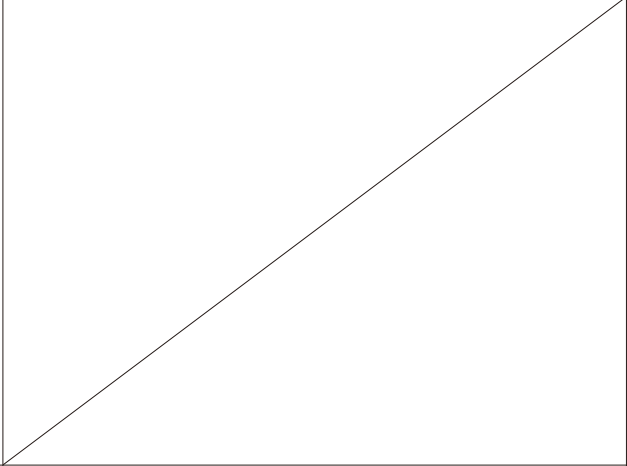
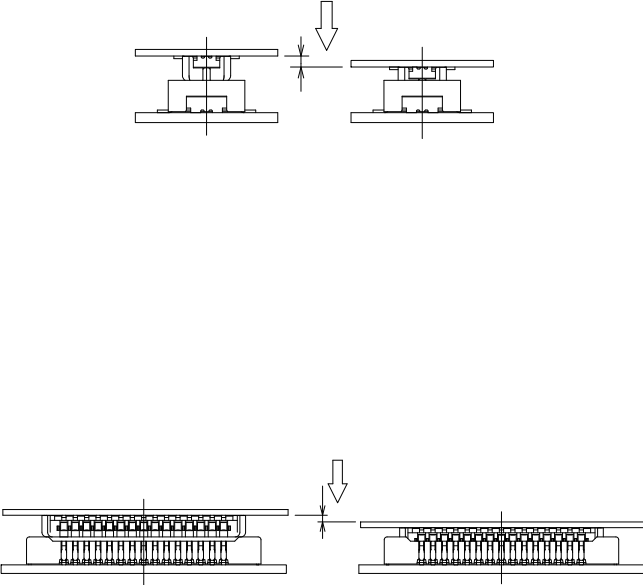
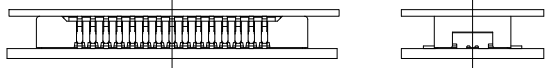
#: B, C

Tape and reel packaging (8,000 pieces/reel).

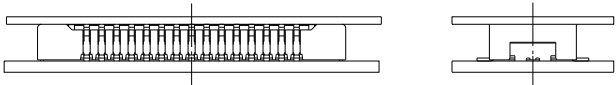
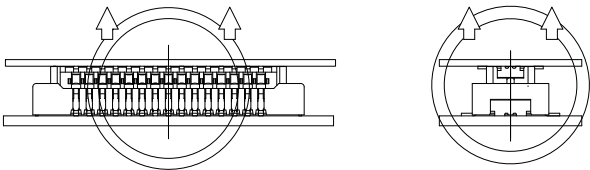
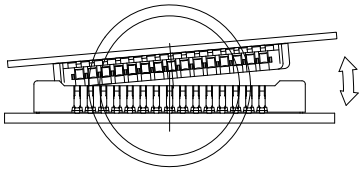
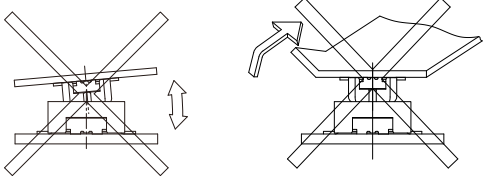
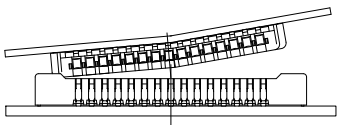
Usage Recommendations

| | |
|--|--|
| <p>1.Recommended temperature profile</p> |  <p>Note 1: Up to 2 cycles of Reflow soldering are possible under the same conditions, provided that there is a return to normal temperature between the first and second cycle.</p> <p>Note 2: The temperature profile indicates the board surface temperature at the point of contacts with the connector terminals.</p> |
| <p>2.Recommended manual soldering</p> | <p>Manual soldering: $340 \pm 10^\circ\text{C}$ for 3 seconds</p> |
| <p>3.Recommended screen thickness and open area ratio (Pattern area ratio)</p> | <p>Thickness: 0.12 mm Open area ratio: Receptacle:80%(NB/NC), Plug: 70%</p> |
| <p>4.Board warpage</p> | <p>Maximum of 0.02 mm at the connector center, with both ends of the connector as reference points.</p> |
| <p>5.Cleaning conditions</p> | <p>Cleaning is not recommended. When cleaning, please evaluate as it can deteriorate the performance including mechanical operation and environmental resistance.</p> |
| <p>6.Precautions</p> | <ul style="list-style-type: none"> ■ Mating and un-mating of the connectors when not soldered on the boards is not recommended as this may cause deformation of the terminals, damage to the contacts or insulators. ■ Mated connectors should not carry weight of the board by themselves. Provide some other support of the boards. ■ When mating/un-mating do not twist or lift by the corners. Apply the forces evenly across the entire length and width of the connectors taking care NOT to damage or deform soldered terminations. ■ Exercise extreme caution when mating/ un-mating when the connector is mounted on a nonrigid (flexible) substrate. Slight discoloration on the insulating materials will not affect form, fit or function of the connectors. ■ Do NOT pull on the flexible substrate. |

■ Handling Precautions when Mating Connectors

| | |
|---|--|
|  |  |
|  | <p>Keep the connectors parallel to each other when positioning. The connectors will self-align in horizontal directions.</p> <p>Do not attempt to mate the connectors starting at one end or side.</p> |
|  | <p>Press-down even until fully mated.</p> |

■ Handling Precautions When Un-mating Connectors

| | |
|---|---|
|  | Fully mated |
|  | Lift even, keeping both connectors parallel to each other |
|  | <p>When handling, circumstances may prevent the connectors from being kept parallel when un-mating. One end may be lifted as shown.</p> <p>However, to use this procedure the connector must be mounted on sufficiently rigid circuit board.</p> <p>Any deflection of the board during this operation may result in damage to the connector or solder joints.</p> |
|  | <p>Do not attempt to start the un-mating of the connectors from one side or corner.</p> <p>Failure to exercise caution when un-mating the connectors mounted on the non-rigid FPC may also result in connector breakage.</p> <p>It is the responsibility of the user to perform verification of the repeated mating / un-mating cycles with the connectors mounted on the applicable FPC.</p> |
|  | <p>When the rigidity of the FPC is low, there is a risk that the connector could break as illustrated in the diagram at left.</p> <p>Please use the connectors after performing a check of repeated operation with the FPC that the customer will be using.</p> <p>Evaluative results of FPC rigidity and various items are available. Please inquire.</p> |

USA:

HIROSE ELECTRIC (U.S.A.), INC. Headquarters
 2688 Westhills Court, Simi Valley, CA 93065-6235
 Phone : +1-805-522-7958
 Fax : +1-805-522-3217
<http://www.hiroseusa.com>

USA:

HIROSE ELECTRIC (U.S.A.), INC. San Jose Office
 3255 Scott Boulevard, Building 7, Suite 101
 Santa Clara, CA 95054
 Phone : +1-408-253-9640
 Fax : +1-408-253-9641
<http://www.hiroseusa.com>

USA:

HIROSE ELECTRIC (U.S.A.), INC. Detroit Office (Automotive)
 37677 Professional Center Drive, Suite #100C
 Livonia, MI 48154
 Phone : +1-734-542-9963
 Fax : +1-734-542-9964
<http://www.hiroseusa.com>

THE NETHERLANDS:

HIROSE ELECTRIC EUROPE B.V.
 Hogehillweg #8 1101 CC Amsterdam Z-O
 Phone : +31-20-6557460
 Fax : +31-20-6557469
<http://www.hiroseeurope.com>

GERMANY:

HIROSE ELECTRIC EUROPE B.V. German Branch
 Herzog-Carl-Strasse 4 D-73760 Ostfildern
 (Scharnhauser Park)
 Phone : +49-711-4560-02-1
 Fax : +49-711-4560-02-299
<http://www.hirose.de>

UNITED KINGDOM:

HIROSE ELECTRIC EUROPE B.V. UK Branch
 22 Vincent Avenue, Crownhill Business
 Centre, Crownhill, Milton Keynes, MK8 0AB
 Phone : +44-1908-305750
 Fax : +44-1908-305768
<http://www.hirose.co.uk>

CHINA:

HIROSE ELECTRIC TRADING (SHANGHAI) CO., LTD.
 1601, Henderson Metropolitan, NO.300, East Nanjing
 Road, Huangpu District, Shanghai, China 200001
 Phone : +86-21-6391-3355
 Fax : +86-21-6391-3335
<http://www.hirose-china.com.cn>

CHINA:

HIROSE ELECTRIC TRADING (SHANGHAI) CO., LTD. Beijing Branch
 A1001, Ocean International Center, Building 56# East 4th
 Ring Middle Road, Chao Yang District, Beijing, 100025
 Phone : +86-10-5165-9332
 Fax : +86-10-5908-1381
<http://www.hirose-china.com.cn>

CHINA:

HIROSE ELECTRIC TECHNOLOGIES (SHENZHEN) CO., LTD.
 Room 09-13, 19/F, Office Tower Shun Hing Square, Di Wang Commercial Centre
 5002, ShenNanDong Road, ShenZhen City, Guangdong Province, 518008
 Phone : +86-755-8207-0851
 Fax : +86-755-8207-0873
<http://www.hirose-china.com.cn>

HONG KONG:

HIROSE ELECTRIC HONGKONG TRADING CO., LTD.
 Room 1001, West Wing, Tsim Sha Tsui Centre, 66
 Mody Road, Tsim Sha Tsui East, Kowloon, Hong Kong
 Phone : +852-2803-5338
 Fax : +852-2591-6560
<http://www.hirose-hongkong.com.hk>

TAIWAN:

HIROSE ELECTRIC TAIWAN CO., LTD.
 103 8F, No.87, Zhengzhou Rd., Taipei
 Phone : +886-2-2555-7377
 Fax : +886-2-2555-7350
<http://www.hirose-taiwan.com.tw>

KOREA:

HIROSE KOREA CO., LTD.
 1261-10, Jeoungwhang-Dong, Shihung-City,
 Kyunggi-Do 429-450
 Phone : +82-31-496-7000, 7124
 Fax : +82-31-496-7100
<http://www.hirose.co.kr>

SINGAPORE:

HIROSE ELECTRIC SINGAPORE PTE. LTD.
 10 Anson Road #26-1 International Plaza
 079903
 Phone : +65-6324-6113
 Fax : +65-6324-6123
<http://www.hirose-singapore.com.sg>

INDIA:

HIROSE ELECTRIC SINGAPORE PTE. LTD. Bangalore Liaison office
 Unit No.03, Ground Floor, Explorer Building International Tech
 Park Whitefield Road, Bangalore 560066 Karnataka, India
 Phone : +65-6324-6113
 Fax : +65-6324-6123
<http://www.hirose-singapore.com.sg>

INDIA:

HIROSE ELECTRIC SINGAPORE PTE. LTD Delhi Liaison Office
 Suite No. 606 5th Floor SB Tower 1A/1 Sector
 16 A Filmcity Noida 201301 Uttar Pradesh-India
 Phone : +91-120-4804917
 Fax : +91-120-4804949
<http://www.hirose.com/sg/>

MALAYSIA:

HIROSE ELECTRIC SINGAPORE PTE. LTD (Representative office)
 1-10-07, Suntech @ Penang Cybercity (1164), Lintang
 Mayang Pasir 3, 11950, Bayan Baru, Penang, Malaysia.
 Phone : +604-619-2564
 Fax : +604-619-2574
<http://www.hirose.com/sg/>



HIROSE ELECTRIC CO.,LTD.

6-3, Nakagawa Chuoh-2-Chome, Tsuzuki-Ku, Yokohama-Shi 224-8540, JAPAN
 TEL: +81-45-620-3526 Fax: +81-45-591-3726
<http://www.hirose.com>
<http://www.hirose-connectors.com>