



Features

- 1300nm or 1550nm Wavelength
- High Optical Power
- High Operating Current
- High Operating Temperature
- Low Modal Noise
- For Single-mode & Multi-mode use
- Custom Designed FC Receptacle
- For Datacom or Measurement Applications
- RoHS Compliant available

Absolute Maximum Ratings (Tc=25°C)

Parameter	Symbol	Condition	Rating	Unit
Reverse Voltage	V _r	CW	2.5	V
Forward Current	I _f	CW	150	mA
Operating Temperature	T _{opr}	-	-20 ~ 70	°C
Storage Temperature	T _{stg}	-	-40 ~ 85	°C

(All optical data refer to a coupled 9/125 μm SM & 50/125 μm MM fiber)

Optical and Electrical Characteristics 1300nm (Tc=25°C)

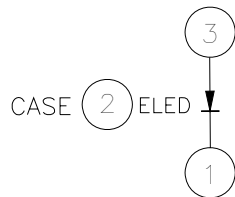
Parameter	Symbol	Min.	Typ.	Max.	Unit	Notes
Wavelength	λ	1260	1300	1340	nm	CW
Spectral Width	Δλ	30	-	70	nm	CW (FWHM)
Operating Current	I _{op}	-	80	-	mA	CW
Output Power (SM, 9/125 μm)	P _o	10	-	-	μW	CW at I _{op} =80mA
L		50	-	-		
M		100	-	-		
U		150	-	-		
Output Power (MM, 50/125 μm)	P _o	50	-	-	μW	CW at I _{op} =80mA
M		100	-	-		
U		200	-	-		
Spectral Ripple		-	-	10	%	λ ±10nm
Forward Voltage	V _f	-	1.2	2	V	CW
Rise Time	T _r	-	1.5	-	ns	-
Fall Time	T _f	-	2.5	-	ns	-
Output Power Variation		-	4	-	dB	25°C to 70°C, I _{op} =30mA

(All optical data refer to a coupled 9/125 μ m SM & 50/125 μ m MM fiber)

Optical and Electrical Characteristics 1550nm (Tc=25°C)

Parameter	Symbol	Min.	Typ.	Max.	Unit	Notes	
Wavelength	λ	1510	1550	1580	nm	CW	
Spectral Width	$\Delta \lambda$	45	-	100	nm	CW (FWHM)	
Operating Current	I_{op}	-	80	100	mA	CW	
Output Power (SM, 9/125 μ m)	P_o	L	10	-	-	μ W	CW at I_{op} =80mA
M		20	-	-			
H		30	-	-			
Output Power (MM, 50/125 μ m)	P_o	L	30	-	-	μ W	CW at I_{op} =80mA
M		50	-	-			
H		70	-	-			
Spectral Ripple		-	-	10	%	$\lambda \pm 10$ nm	
Forward Voltage	V_f	-	1.2	2	V	CW	
Rise Time	T_r	-	1.5	-	ns	-	
Fall Time	T_f	-	2.5	-	ns	-	
Output Power Variation		-	4	-	dB	25°C to 70°C, I_{op} =30mA	

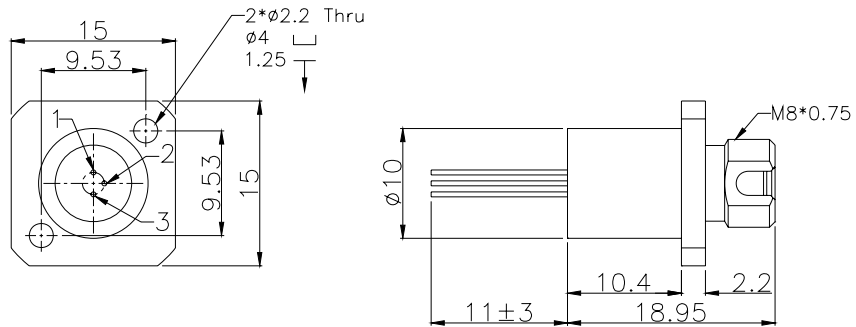
Pin Assignment



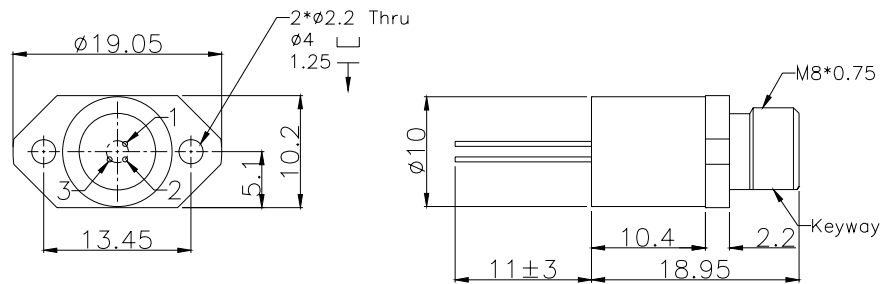
Pin 1: ELED Cathode
 Pin 2: Case
 Pin 3: ELED Anode

Packaging Dimension (Units in mm)

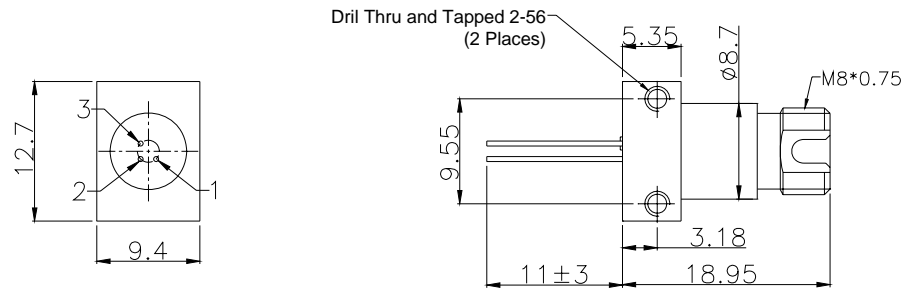
Package Style: "E":FC



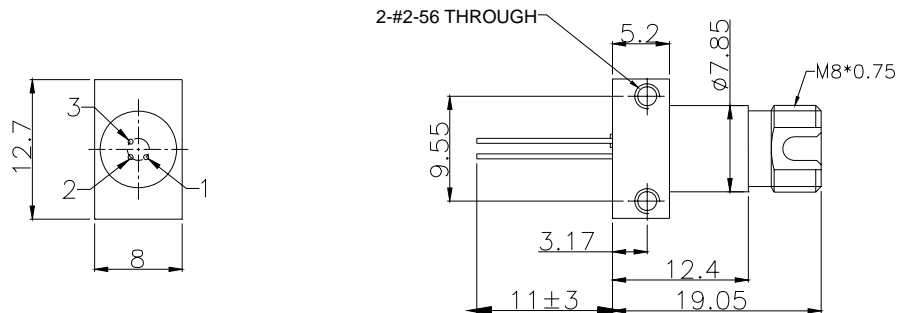
Package Style: "G":FC-SF



Package Style: "L":FC-BL

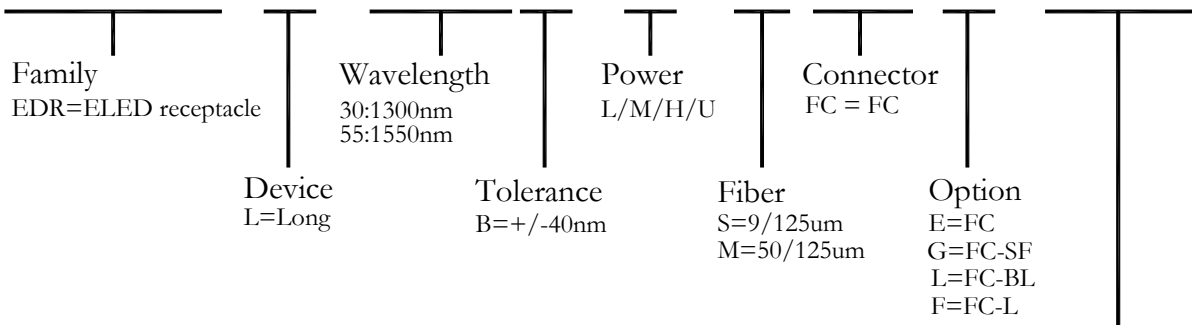


Package Style: "F":FC-L



Ordering Information

EDR-L-XXB-X-XFCX-XX



RoHS Compliant

Blank/G5/GR

Blank = RoHS non-compliant product

G5 = RoHS 5/6-compliant product (lead exemption)

GR = Full RoHS compliant product (no exemption)

Warnings

Handling Precautions: This device is susceptible to damage as a result of electrostatic discharge (ESD). A static free environment is highly recommended. Follow guidelines according to proper ESD procedures.

Laser Safety: Radiation emitted by laser devices can be dangerous to human eyes. Avoid eye exposure to direct or indirect radiation.

Legal Notice

IMPORTANT NOTICE!

All information contained in this document is subject to change without notice, at Source Photonics's sole and absolute discretion. Source Photonics warrants performance of its products to current specifications only in accordance with the company's standard one-year warranty; however, specifications designated as "preliminary" are given to describe components only, and Source Photonics expressly disclaims any and all warranties for said products, including express, implied, and statutory warranties, warranties of merchantability, fitness for a particular purpose, and non-infringement of proprietary rights. Please refer to the company's Terms and Conditions of Sale for further warranty information.

Source Photonics assumes no liability for applications assistance, customer product design, software performance, or infringement of patents, services, or intellectual property described herein. No license, either express or implied, is granted under any patent right, copyright, or intellectual property right, and Source Photonics makes no representations or warranties that the product(s) described herein are free from patent, copyright, or intellectual property rights. Products described in this document are NOT intended for use in implantation or other life support applications where malfunction may result in injury or death to persons. Source Photonics customers using or selling products for use in such applications do so at their own risk and agree to fully defend and indemnify Source Photonics for any damages resulting from such use or sale.

THE INFORMATION CONTAINED IN THIS DOCUMENT IS PROVIDED ON AN "AS IS" BASIS. Customer agrees that Source Photonics is not liable for any actual, consequential, exemplary, or other damages arising directly or indirectly from any use of the information contained in this document. Customer must contact Source Photonics to obtain the latest version of this publication to verify, before placing any order, that the information contained herein is current.

© Copyright Source Photonics, Inc. 2009

All rights reserved