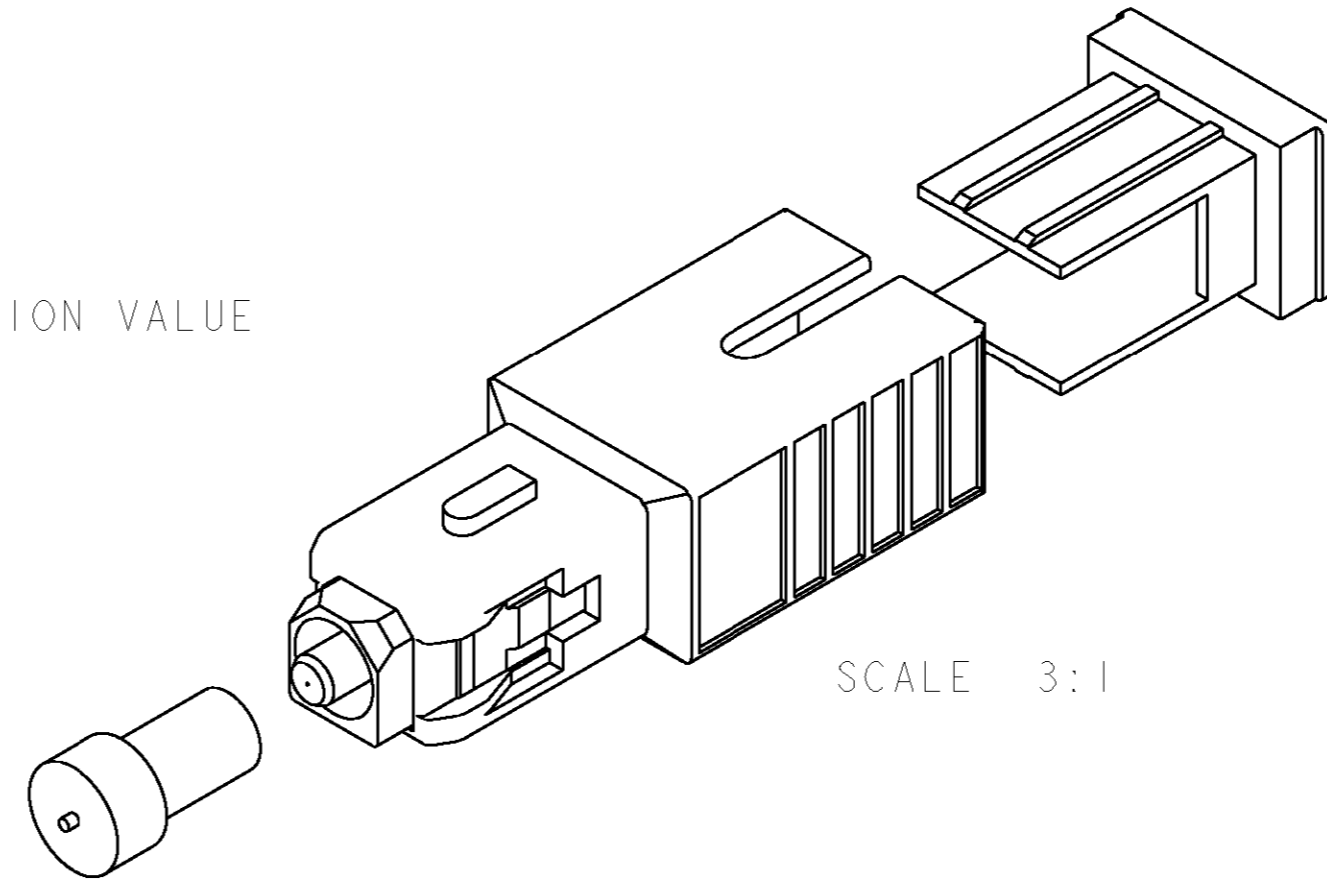


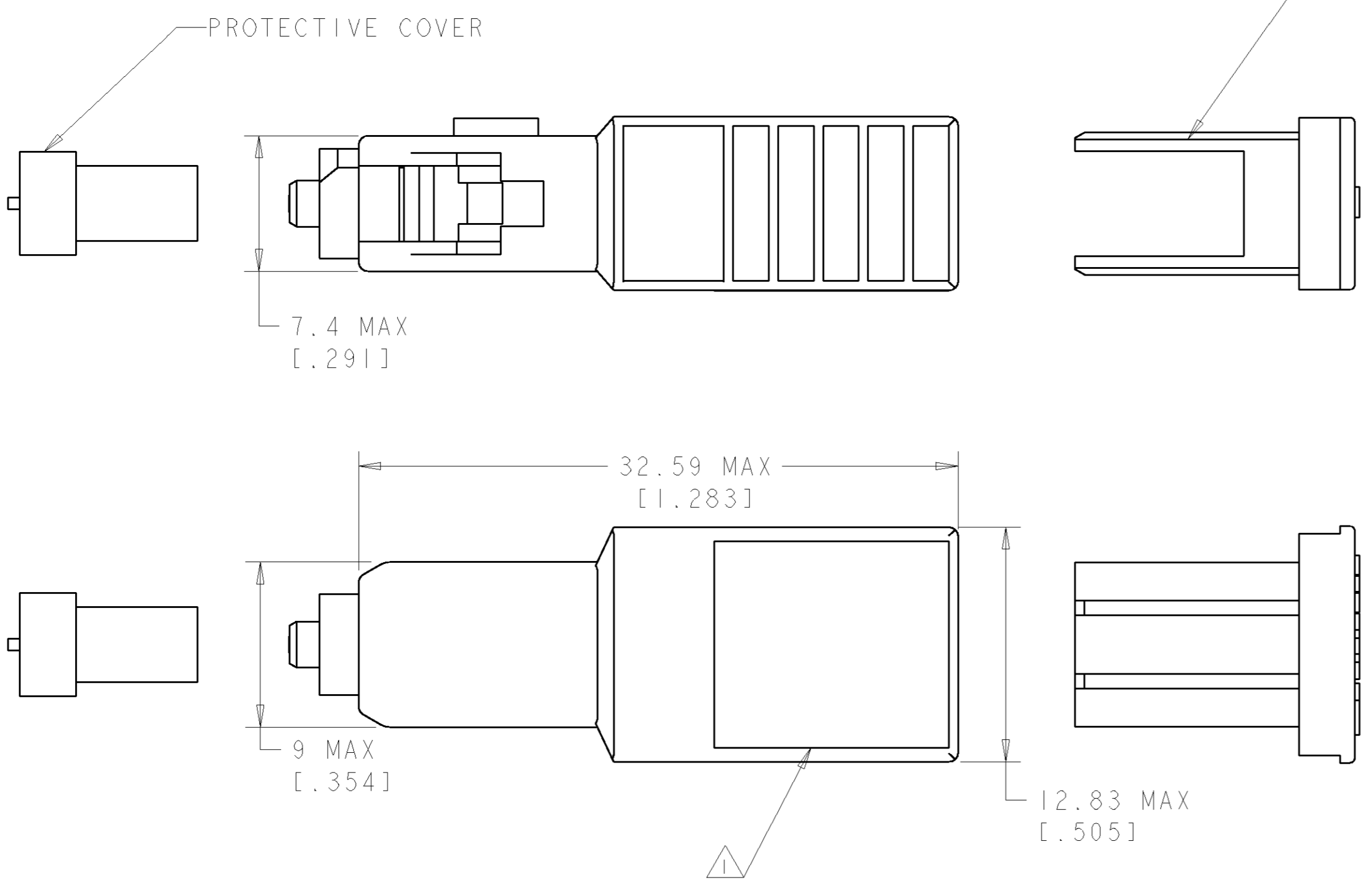
THIS DRAWING IS UNPUBLISHED. RELEASED FOR PUBLICATION 20
 © COPYRIGHT BY ALL RIGHTS RESERVED.

LOC	DIST	REVISIONS					
CE	00	P	LTR	DESCRIPTION	DATE	DWN	APVD
		B1		REVISED PER ECO-11-005027	29APR11	RK	HMR

PERFORMANCE REQUIREMENTS:
 OPERATING WAVELENGTH : 1310/1550 ±25nm
 REFLECTANCE : ≤ -55dB
 OPERATING TEMPERATURE : -40°C TO +75°C
 ATTENUATION TOLERANCE, AMBIENT :
 FOR 0 dB ATTENUATORS : + 0.50dB MAX
 FOR ATTENUATORS ≤ 5dB : ± 0.50dB
 FOR ATTENUATORS >5dB : ± 10% OF NOMINAL ATTENUATION VALUE
 MEASURED WITH REFERENCE QUALITY LAUNCH LEADS



SCALE 3:1



NOMINAL ATTENUATION VALUE (dB)	PART NUMBER
0	9-5209943-9
1	5209943-1
2	5209943-2
3	5209943-3
4	5209943-4
5	5209943-5
6	5209943-6
7	5209943-7
8	5209943-8
9	5209943-9
10	1-5209943-0
11	1-5209943-1
12	1-5209943-2
13	1-5209943-3
14	1-5209943-4
15	1-5209943-5
16	1-5209943-6
17	1-5209943-7
18	1-5209943-8
19	1-5209943-9
20	2-5209943-0
25	2-5209943-5

⚠ TYCO LOGO, ATTENUATION VALUE, PART NUMBER, AND SERIAL NUMBER ARE PRINTED ON THE LABEL.

DIMENSIONS: mm [INCHES]		TOLERANCES UNLESS OTHERWISE SPECIFIED: 0 PLC ± 1 PLC ± 2 PLC ± 3 PLC ± 4 PLC ± ANGLES ± FINISH -		DWN 05DEC2005 E. HOPKINS CHK 05DEC2005 E. HOPKINS APVD 05DEC2005 S. BUCHTER	TE TE Connectivity	
MATERIAL -		PRODUCT SPEC - APPLICATION SPEC - WEIGHT -		NAME ATTENUATOR, FOPC BOA SC/UPC DW SM		
CUSTOMER DRAWING		SIZE A2	CAGE CODE 00779	DRAWING NO. 5209943	RESTRICTED TO -	
SCALE 4:1			SHEET 1 OF 1	REV B1		