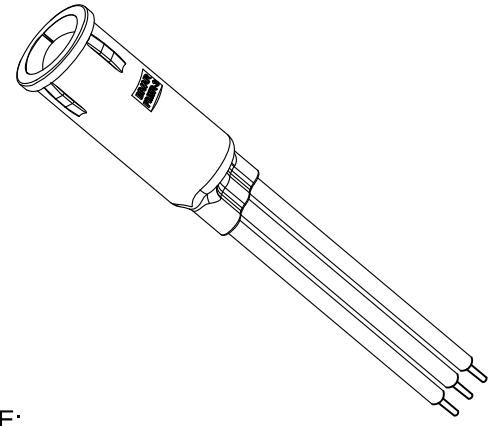
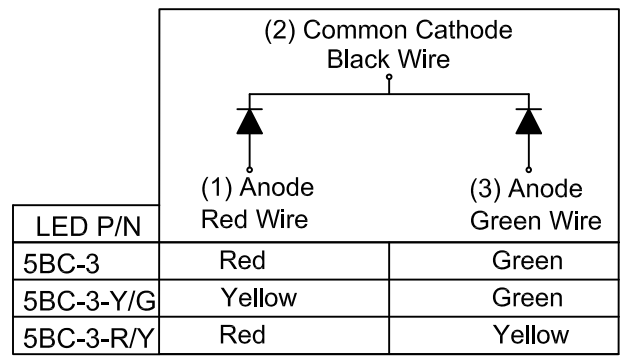
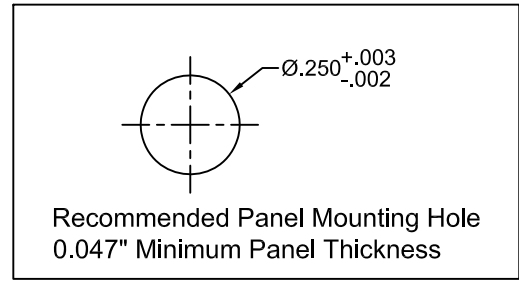
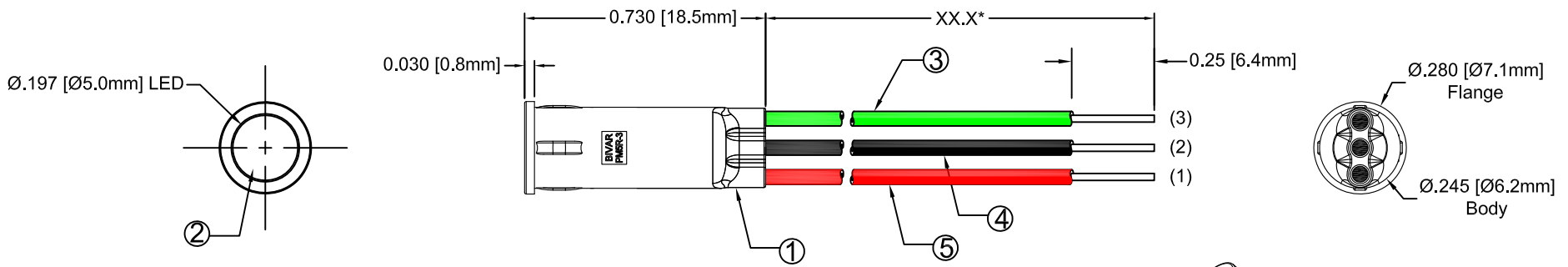


ITEM	Q'TY	PART NUMBER	PART DESCRIPTION
1	1	PM5R-3	LED Holder, 3-Lead Panel Mount, Press Fit, (5mm)
2	1	5BC-3-XX	T1 ¼ (5mm) 3-Lead Shouldered LED, See Page 2.
3	1	BWS24-1061-GN	24AWG Wire Lead U.L. 1061, Green
4	1	BWS24-1061-BK	24AWG Wire Lead U.L. 1061, Black
5	1	BWS24-1061-RD	24AWG Wire Lead U.L. 1061, Red

REV.	DESCRIPTION	DATE	APPROVED
A	Engineering Release	12/02/08	T. Y.
B	Updated 5BC-3 LED on Polarity Diagram	09/01/09	T. Y.
C	Added Optical/ Electrical Data	05/21/15	J. C.



EXAMPLE:
PM5R3 - BC W12.5
 XX.X = Wire Length "XX.X"
 Emitted Colors
 3-Lead Panel Mount Series, Recessed



ABSOLUTE MAXIMUM RATINGS (Ta = 25°C)

REVERSE VOLTAGE _____ 5V
 REVERSE CURRENT (VR=5V) _____ 100µA
 OPERATING TEMPERATURE RANGE _____ -25°C ~ 85°C
 STORAGE TEMPERATURE _____ -30°C ~ 100°C
 LEAD SOLDERING TEMPERATURE (1/16" FROM BODY) _____ 260°C for 5 Seconds

STANDARD TOLERANCE (UNLESS OTHERWISE SPECIFIED)		 BIVAR ® 4 THOMAS, IRVINE, CA. 92618 TEL: (949) 951-8808 FAX: (949) 951-3974	
DECIMALS	ANGULAR		
.X ± .1	X° ± 1°	 TITLE: T1 ¼ (5mm) PANEL MOUNT ASSEMBLY, 3-LEAD RECESSED	
.XX ± .02			
.XXX ± .010			
DESIGNED: Brian Olliver	DATE: 12/02/08	PART NO: PM5R3-XXWXX.X	REVISION: C
CHECKED: F. Jensen	DATE: 12/02/08	CAGE CODE: 32559	SHEET # 1 OF 2
CAD GENERATED DOCUMENT, DO NOT MEASURE DRAWING.			

REV.	DESCRIPTION	DATE	APPROVED
	SEE SHEET#1.		

Assy. Part No.	Chip			Lens Appearance	Electro-Optical Data @ 20mA				Viewing Angle 2 θ ½ (Deg)	LED P/N	
	Material	Peak Wave Length	Emitted Color		If (mA)	Vf (V)		Iv (mcd)			
						MAX	TYP	MAX			TYP
PM5R3-BCWXX.X	GaAsP/GaP	625nm	RED	WHITE DIFFUSED	30	2.0	2.8	35	40	5BC-3	
	GaP/GaP	568nm	GREEN		30	2.1	2.8	35			
PM5R3-YGWXX.X	GaAsP/GaP	590nm	YELLOW	WHITE DIFFUSED	30	2.0	2.8	30	40	5BC-3-Y/G	
	GaP/GaP	568nm	GREEN		30	2.1	2.8	35			
PM5R3-RYWXX.X	GaAsP/GaP	625nm	RED	WHITE DIFFUSED	30	2.0	2.8	35	40	5BC-3-R/Y	
	GaAsP/GaP	590nm	YELLOW		30	2.0	2.8	30			

STANDARD TOLERANCE (UNLESS OTHERWISE SPECIFIED) ±10% ALL VALUES ANGULAR		 BIVAR [®] 4 THOMAS, IRVINE, CA, 92618 TEL: (949) 951-8808 FAX: (949) 951-3974	
			
DESIGNED: Brian Oliver	DATE: 12/02/08	PART NO: PM5R3-XXWXX.X CAGE CODE : 32559 SHEET # 2 OF 2	REVISION: C
CHECKED: F. Jensen	DATE: 12/02/08		CAD GENERATED DOCUMENT, DO NOT MEASURE DRAWING.