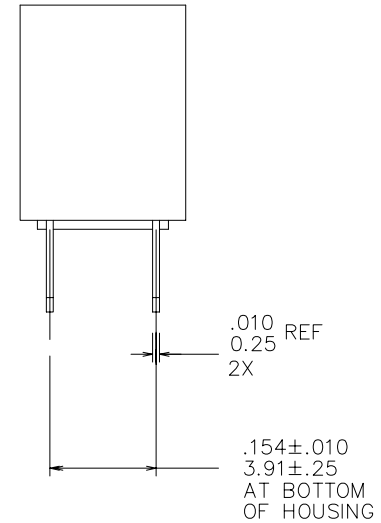
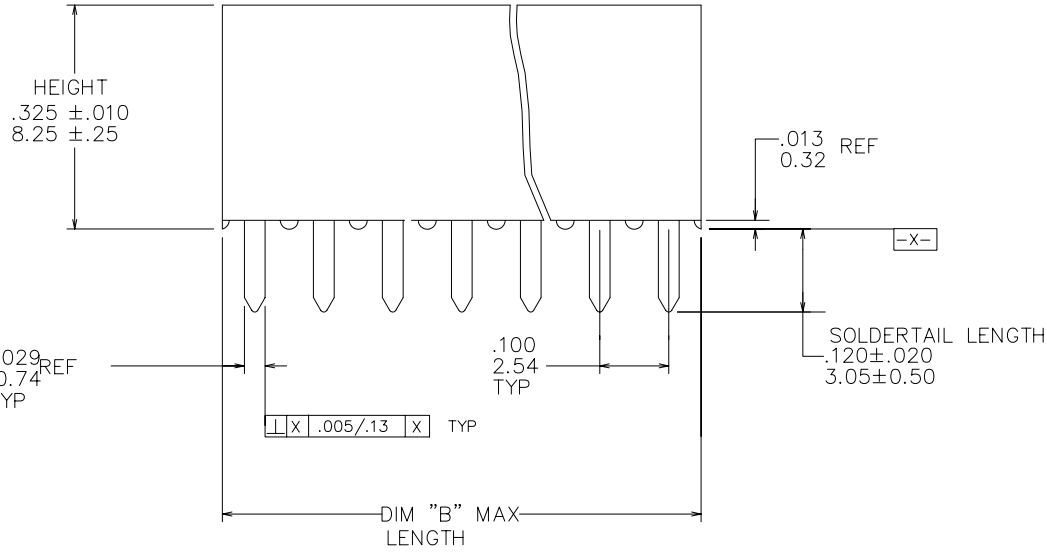
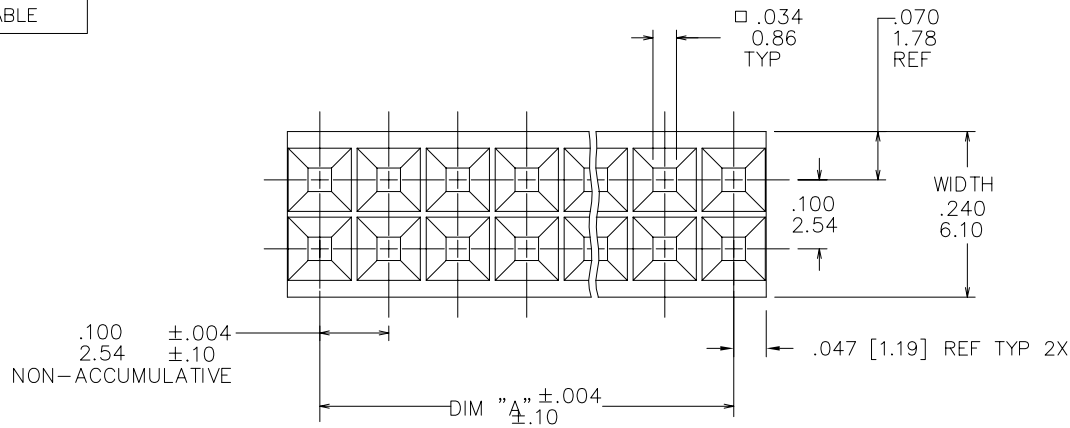


PRODUCT NUMBER  
SEE TABLE

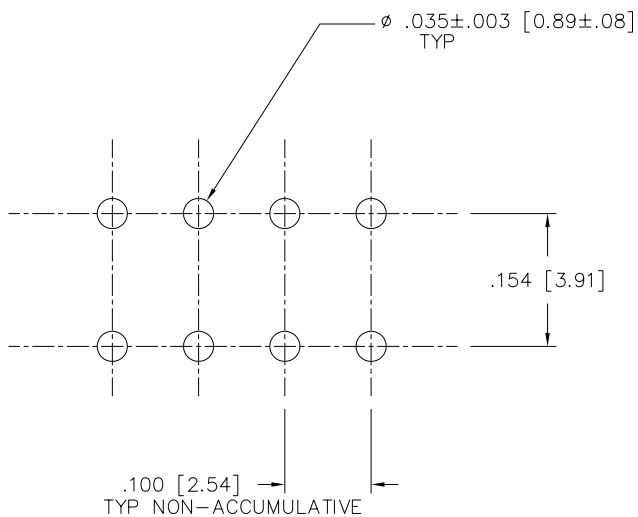


Copyright FCI

mat'l. code		surface ISO 1302		tolerance ISO 406 ISO 1101		projection INCH/MM		product family CARD CONN	
tolerances unless otherwise specified		tolerances unless otherwise specified		tolerances unless otherwise specified		tolerances unless otherwise specified		title	
ltr	ecn no	dr	date	angles	linear	INCH/MM		VERT. CARD CONNECTOR	
D	V23244	MRC	9/30/92			scale 4:1		.154/3.91 CTR., DBL ROW	
E	V70080	MDF	2/24/96					dwg no	
F	M05-0216	ERE	10/11/05	0'±2'				sheet 1 of 3 size	
G	M06-0210	MHT	6/03/06	dr	M. CORNMAN	9/30/92		65936	
				enr	W. NORTHEY	9/30/92		A3	
				chr	C.GINGRICH	9/30/92		type	
				app	W. NORTHEY	9/30/92		Product Customer Drawing	
sheet index	revision sheet	G	G	G	G	G	G	G	G
	1 2 3								

PRODUCT NUMBER

SEE TABLE



RECOMMENDED HOLE PATTERN  
SCALE 5/1

NOTES:

- ① HOUSING MAT'L: FILLED POLYESTER,  
FLAME RETARDANT PER UL 94V-0.  
COLOR : BLACK.
- ② TERMINAL MATERIAL AND PLATING:  
BODY: BRASS .010/0.25 THICK  
SPRING: Be-Cu, HEAT TREATED  
BODY PLATING: 15u"/.38u Au OVER 50u"/1.27u Ni  
IN CONTACT AREA.  
SPRING PLATING: Au FLASH
3. MARK FCI PART NUMBER AND DATE CODE LEGIBLE  
ON TUBE LABEL
4. APPLICATION INFORMATION:  
A. RECOMMENDED MOUNTING HOLE PATTERN  
IS SHOWN IN DETAIL "A"  
B. ALL MATING PINS TO BE .025/.64 SQ  
ON TRUE CENTER OF GIVEN TERMINAL  
SPACING WITHIN .015/.38.  
C. SUGGESTED MATING PIN LENGTH  
.350±.020/8.89±0.51.
- ⑤ ADD "LF" SUFFIX AT THE END OF PART NUMBER  
FOR LEAD FREE OPTION.
6. THESE PRODUCTS MEET EUROPEAN UNION DIRECTIVES  
AND OTHER COUNTRY REGULATIONS AS DESCRIBED IN  
GS-22-008.
7. THIS PART WILL WITHSTAND EXPOSURE TO 260°C PEAK  
TEMPERATURE FOR 20 SECONDS IN WAVE SOLDER,  
INFRA-RED OR VAPOR PHASE SOLDER PROCESS.



FCIconnect.com

Copyright FCI

mat'l. code		surface ISO 1302 ✓		tolerance ISO 406 ISO 1101		projection 		product family CARD CONN	
ltr		ecn no dr		date		tolerances unless otherwise specified		title	
G						.XX±.01/.X±.3 .XXX±.0.005/.XX±.13 XXXX±.0020/XXX±.051		VERT. CARD CONNECTOR .154/3.91 CTR., DBL ROW	
						linear 0°±2'		INCH/MM scale 4:1	
				dr M. CORNMAN 9/30/92				dwg no sheet 2 of 3 size	
				enfr W. NORTHEY 9/30/92				65936 A3	
				chr C.GINGRICH 9/30/92					
				appd W. NORTHEY 9/30/92					
sheet index		revision sheet						type Product Customer Drawing	

PRODUCT NO	SIZE	DIM A	DIM B MAX	LEAD FREE OPTION
65936-001	UNASSIGNED			
-002	2 X 2	.100/2.54	.200/5.08	NOTE 5
-003	2 X 3	.200/5.08	.300/7.62	
-004	2 X 4	.300/7.62	.400/10.16	
-005	2 X 5	.400/10.16	.500/12.70	
-006	2 X 6	.500/12.70	.600/15.24	
-007	2 X 7	.600/15.24	.700/17.78	
-008	2 X 8	.700/17.78	.800/20.32	
-009	2 X 9	.800/20.32	.900/22.86	
-010	2 X 10	.900/22.86	1.000/25.40	
-011	2 X 11	1.000/25.40	1.100/27.94	
-012	2 X 12	1.100/27.94	1.200/30.48	
-013	2 X 13	1.200/30.48	1.300/33.02	
-014	2 X 14	1.300/33.02	1.400/35.56	
-015	2 X 15	1.400/35.56	1.500/38.10	
-016	2 X 16	1.500/38.10	1.600/40.64	
-017	2 X 17	1.600/40.64	1.700/43.18	
-018	2 X 18	1.700/43.18	1.800/45.72	
-019	2 X 19	1.800/45.72	1.900/48.26	
-020	2 X 20	1.900/48.26	2.000/50.08	
-021	2 X 21	2.000/50.08	2.100/53.34	
-022	2 X 22	2.100/53.34	2.200/55.88	
-023	2 X 23	2.200/55.88	2.300/58.42	
-024	2 X 24	2.300/58.42	2.400/60.96	
-025	2 X 25	2.400/60.96	2.500/63.50	
-026	2 X 26	2.500/63.50	2.600/66.04	
-027	2 X 27	2.600/66.04	2.700/68.58	
65936-028	2 X 28	2.700/68.58	2.800/71.12	

PRODUCT NO	SIZE	DIM A	DIM B MAX	LEAD FREE OPTION
65936-029	2 X 29	2.800/71.12	2.900/73.66	NOTE 5
-030	2 X 30	2.900/73.66	3.000/76.20	
-031	2 X 31	3.000/76.20	3.100/78.74	
-032	2 X 32	3.100/78.74	3.200/81.28	
-033	2 X 33	3.200/81.28	3.300/83.82	
-034	2 X 34	3.300/83.82	3.400/86.36	
-035	2 X 35	3.400/86.36	3.500/88.90	
65936-036	2 X 36	3.500/88.90	3.600/91.44	



FCIconnect.com

Copyright FCI

mat'l. code		surface ISO 1302 ✓		tolerance ISO 406 ISO 1101		projection 		product family CARD CONN	
ltr		ecn no		dr		date		title	
G								VERT. CARD CONNECTOR .154/3.91 CTR., DBL ROW	
								dwg no 65936	
								sheet 3 of 3 size A3	
								type Product Customer Drawing	
sheet index		revision sheet							