

Structure	Silicon monolithic integrated circuits			
Product Name	Boost DC/DC converter LSI for Blu-ray			
Model Name	BD9997FVT			
Function	<ul style="list-style-type: none"> (1) The output voltage can be set by external resistance. (2) Internal Power MOS transistor with Backgate Control function (3) Inrush current reduction (4) Integrated Soft start (5) Built-in Protection function <table border="0" style="margin-left: 20px;"> <tr> <td style="font-size: 2em; vertical-align: middle;">{</td> <td>NMOS overcurrent limit, overvoltage mute, thermal shutdown, output ground short protection</td> <td style="font-size: 2em; vertical-align: middle;">}</td> </tr> </table> (6) UVLO operation at low power-supply voltage (7) Easy assembly small sized package TSSOP-B8 (8) Built-in Discharge function (9) function of output interception(at shutdown, at overvoltage) 	{	NMOS overcurrent limit, overvoltage mute, thermal shutdown, output ground short protection	}
{	NMOS overcurrent limit, overvoltage mute, thermal shutdown, output ground short protection	}		

○Absolute maximum ratings (Ta=25°C)

Item	Symbol	Limit	Unit
Supply voltage	Vcc	-0.3~7	V
Power dissipation (※1)	Pd	0.625	W
Operating temperature range	Topt	-25~+85	°C
Storage temperature range	Tstg	-55~+150	°C
Input voltage range on SW	VINSW	-0.3~15	V
Input voltage range on VOUT	VINOUT	-0.3~15	V
Input voltage range on FB	VINFB	-0.3~VCC+ 0.3	V
AMPOUT terminal maximum input voltage	VINAMPOUT	-0.3~VCC+ 0.3	V
XSHDN terminal maximum input voltage	VINSHDN	-0.3~VCC+ 0.3	V
Junction temperature	Tjmax	+150	°C

(※1) While mounted on Glass-epoxy board (ROHM standard board: 70 × 70 × 1.6[mm³])

○Operating conditions (Ta=25°C)

Item	Symbol	Min.	Typ.	Max.	Unit
Supply voltage	Vcc	4.5	5.0	5.5	V
Output current1 (※2)(※5)	Iout1	-	-	0.15	A
Output current2 (※3)(※5)	Iout2	-	-	0.10	A
Output current3 (※4)(※5)	Iout3	-	-	0.20	A

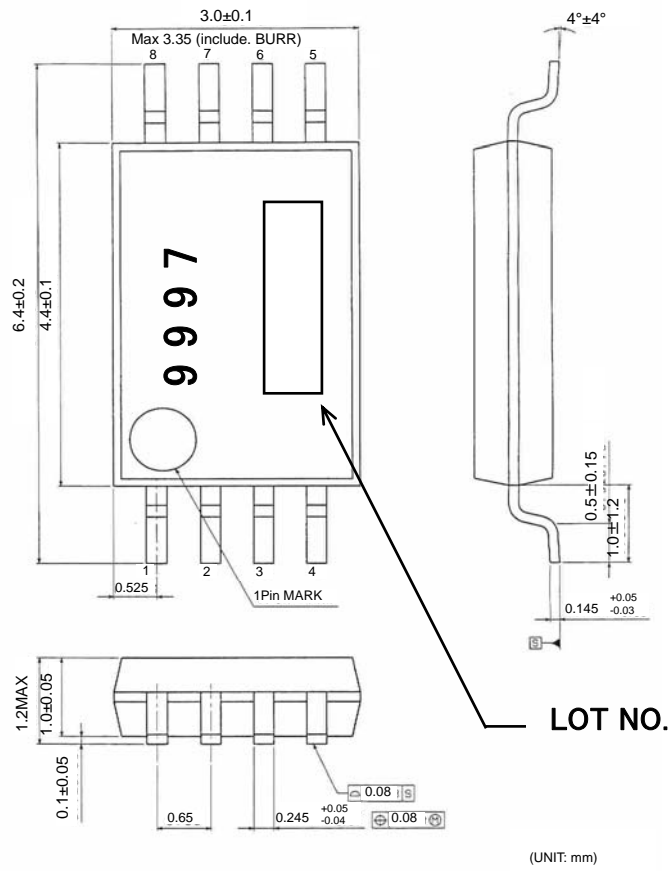
(※2) VIN=4.5[V] → VOUT=7.5[V] (L=22[μH]) (※3) VIN=4.5[V] → VOUT=11.0[V] (L=22[μH])

(※4) VIN=4.5[V] → VOUT=8.1[V] (L=10[μH]) (※5) Do not, however exceed Pd.

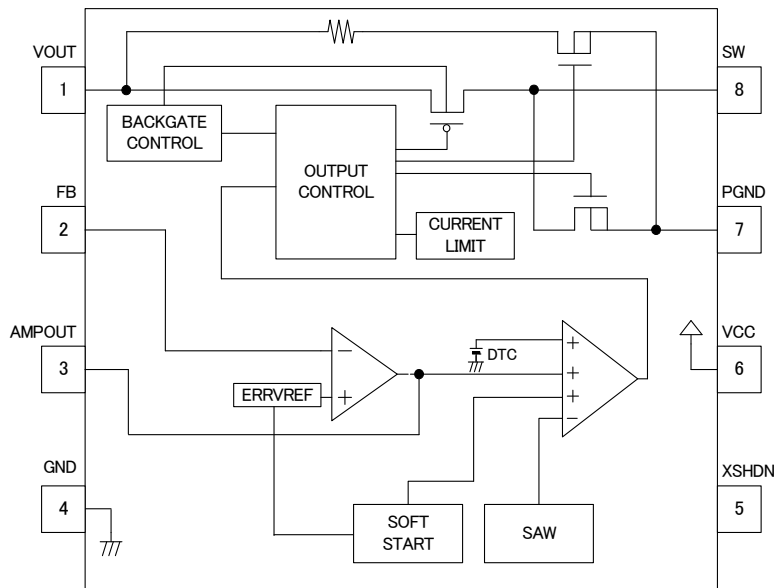
OElectric Characteristics (Unless otherwise specified, V_{CC}=5.0[V], V_{OUT}=5.0[V], T_a=25[°C])

Parameter	Symbol	Limit			Unit	Condition
		Min.	Typ.	Max.		
Current consumption	ICC1	4.0	6.3	9.5	mA	V _{CC} =5.0[V], FB=2.5[V], No load
Current consumption	ICC2	2.3	3.7	5.2	mA	V _{CC} =5.0[V], FB=0[V], No load
Current consumption (Shutdown mode)	ICC3	—	1	10	μA	V _{CC} =5.0[V], XSHDN=GND or Open
Output voltage range	VOUTR	V _{CC}	—	12.0	V	
Soft start beginning time	TSOFT	3.5	6.0	8.5	ms	V _{CC} =5.0[V], FB=0[V]
ERRVREF voltage	ERRVREF	0.582	0.600	0.618	V	
Oscillator frequency	SAWO	400	650	900	kHz	
Maximum duty cycle	DMAX	65	80	90	%	
AMPOUT maximum output voltage	VAMPOUTH	2.00	2.30	2.60	V	
AMPOUT minimum output voltage	VAMPOUTL	—	0.03	0.20	V	
PMOS ON resistance	RONP	0.36	0.60	0.84	Ω	V _{OUT} =9.0[V]
NMOS ON resistance	RONN	0.30	0.50	0.70	Ω	V _{OUT} =9.0[V]
UVLO detection voltage	VUVLO1	3.35	3.55	3.75	V	V _{CC} Falling
UVLO return voltage	VUVLO2	3.45	3.65	3.85	V	V _{CC} Rising
XSHDN Input threshold voltage	V _{th} XSHDN	0.92	1.53	2.14	V	
XSHDN pull down resistor	RXSHDN	7.0	10.0	13.0	kΩ	

○Package outline



○Block Diagram



○Terminal No./Terminal name

Terminal No	Terminal name
1	VOUT
2	FB
3	AMPOUT
4	GND
5	XSHDN
6	VCC
7	PGND
8	SW

○Operation Notes

1. About grand potential
Set PGND and GND to equal potential. The ground line is where the lowest potential and transient voltages are connected to the IC.
2. About starting
Keep light Load at VOUT output while start-up.
3. About board pattern
Use separates ground lines for small control signals and high current outputs. Because these high current outputs that flows to the wire impedance changes the GND voltage for control signal. Therefore each ground of IC must be connected at one point on the set circuit board. As for GND of external parts, it's similar to the above-mentioned. The characteristics of DC/DC converter might influenced by surrounding components and board pattern. Consider the effects from surroundings while design. Make VCC, PGND and GND impedance sufficiently low Solder RESERVE to GND on set circuit board.
4. About peripheral circuit
Bypass capacitor between power supply and ground should be use low ESR ceramic capacitor and placed close to the IC pin as possible. External components such as L and C is necessary to be placed as near to the IC as possible with shortest distance. Monitor the output voltage at both end of capacitor connected to VOUT. PMOS over current limit must not be built into, and the over current must not flow to PMOS. please have safe countermeasure such as adding POLY SWITCH and fuse to avoid from over stressing.
5. About absolute maximum rating
Exceeding supply voltage and operating Temp. over Absolute Maximum Ratings may cause degradation of IC and even may destroy the IC. If special mode such that exceeding Absolute Maximum Ratings is expected, please have safe countermeasure such as adding POLY SWITCH and fuse to avoid from over stressing.
6. About heat design
Do not exceed the power dissipation (PD) of the package specification rating under actual operation.
7. About Short between terminals and the mis-installation
While mounting IC on the board, check direction and position of the IC. If inadequately mounted, the IC may destroy. Moreover this IC might be destroyed when dust short the terminals between pins or pin and ground.
8. About operation in strong electromagnetic field
Strong electromagnetic radiation can cause operation failures.
9. About heat interception circuit (TSD)
The TSD is activated when the junction temperature (Tj) reaches 175°C and the output terminal is switched to Hi-Z. The TSD circuit aims to intercept IC from high temperature. The guarantee and protection of IC are not purpose. Therefore, please do not use this IC after TSD circuit operates, nor use it for assumption that operates the TSD circuit.
10. About inspection by set substrate
The stress might hang to IC by connecting the capacitor to the terminal with low impedance. Then, please discharge electricity in each and all process. Moreover, in the inspection process, please turn off the power before mounting the IC, and turn on after mounting the IC. In addition, please take into consideration the countermeasures for electrostatic damage, such as giving the earth in assembly process, transportation or preservation.
11. About each input terminal
This IC is a monolithic IC, and has P⁺ isolation and P substrate for the element separation. Therefore, a parasitic PN junction is formed in this P-layer and N-layer of each element. When the GND voltage potential is greater than the voltage potential at Terminals A or B, the PN junction operates as a parasitic diode. In addition, the parasitic NPN transistor is formed in said parasitic diode and the N layer of surrounding elements close to said parasitic diode. These parasitic elements are formed in the IC because of the voltage relation. The parasitic element operating causes the wrong operation and destruction. Therefore, please be careful so as not to operate the parasitic elements by impressing to input terminals lower voltage than GND (P substrate). Please do not apply the voltage to the input terminal when the power -supply voltage is not impressed. Moreover, please impress each input terminal lower than the power-supply voltage or equal to the specified range in the guaranteed voltage when the power-supply voltage is impressing..

Notes

No copying or reproduction of this document, in part or in whole, is permitted without the consent of ROHM Co.,Ltd.

The content specified herein is subject to change for improvement without notice.

The content specified herein is for the purpose of introducing ROHM's products (hereinafter "Products"). If you wish to use any such Product, please be sure to refer to the specifications, which can be obtained from ROHM upon request.

Examples of application circuits, circuit constants and any other information contained herein illustrate the standard usage and operations of the Products. The peripheral conditions must be taken into account when designing circuits for mass production.

Great care was taken in ensuring the accuracy of the information specified in this document. However, should you incur any damage arising from any inaccuracy or misprint of such information, ROHM shall bear no responsibility for such damage.

The technical information specified herein is intended only to show the typical functions of and examples of application circuits for the Products. ROHM does not grant you, explicitly or implicitly, any license to use or exercise intellectual property or other rights held by ROHM and other parties. ROHM shall bear no responsibility whatsoever for any dispute arising from the use of such technical information.

The Products specified in this document are intended to be used with general-use electronic equipment or devices (such as audio visual equipment, office-automation equipment, communication devices, electronic appliances and amusement devices).

The Products specified in this document are not designed to be radiation tolerant.

While ROHM always makes efforts to enhance the quality and reliability of its Products, a Product may fail or malfunction for a variety of reasons.

Please be sure to implement in your equipment using the Products safety measures to guard against the possibility of physical injury, fire or any other damage caused in the event of the failure of any Product, such as derating, redundancy, fire control and fail-safe designs. ROHM shall bear no responsibility whatsoever for your use of any Product outside of the prescribed scope or not in accordance with the instruction manual.

The Products are not designed or manufactured to be used with any equipment, device or system which requires an extremely high level of reliability the failure or malfunction of which may result in a direct threat to human life or create a risk of human injury (such as a medical instrument, transportation equipment, aerospace machinery, nuclear-reactor controller, fuel-controller or other safety device). ROHM shall bear no responsibility in any way for use of any of the Products for the above special purposes. If a Product is intended to be used for any such special purpose, please contact a ROHM sales representative before purchasing.

If you intend to export or ship overseas any Product or technology specified herein that may be controlled under the Foreign Exchange and the Foreign Trade Law, you will be required to obtain a license or permit under the Law.



Thank you for your accessing to ROHM product informations.
More detail product informations and catalogs are available, please contact us.

ROHM Customer Support System

<http://www.rohm.com/contact/>