

P-Series



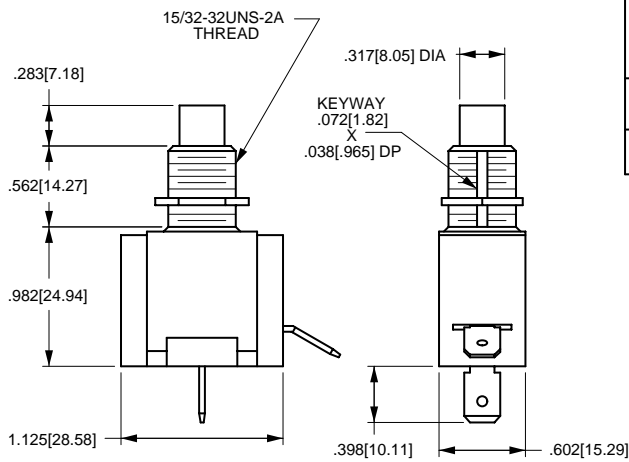
The P-Series pushbutton switches are heavy-duty, single pole switches. They are alternate action, available in single and double throw construction, with ratings up to 20 amps. Both plunger and bushing are made of plated brass. Typical actuation force is 3-5 lbs.

Specifications

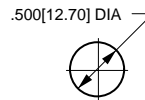
- Certifications*: UL, CSA, TUV
- Dielectric Strength: 1,000 V (minimum)
- Insulation Resistance: 100 Megohms (minimum)
- Base Material: Phenolic
- Actuator Material: Brass/Nickel Plate
- Bracket Material: Plated Steel
- Bushing Material: Brass/Nickel Plate

* Due to ongoing technological advances, consult factory for certification specifics.

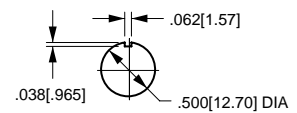
Dimensional Specifications: in. [mm]



.250 TAB (Q.C.)	SCREW (ASSEMBLED)	INTEGRATED WIRE LEAD (no exposed conductors)
TERMINAL TYPE		



MOUNTING HOLE



WITH KEYWAY

P
SERIES
P SINGLE POLE
PUSHBUTTON

A
CIRCUIT
A ON-OFF
B ON-ON

35
RATING¹
30 10A 250VAC
20A 125VAC
1 1/2HP 120-240VAC
34 10A 250VAC
15A 125VAC
3/4HP 120-240VAC
35 10A 250VAC
15A 125VAC
95 10A 250VAC
15A 125VAC
10A(6) 250V_μ T85

1
TERMINATION
1 .250TAB (QC)
4 SCREW TERM.
5 WIRE LEAD

NOTES:
Shading indicates standard configurations.
1 For TUV approval, use rating 95.