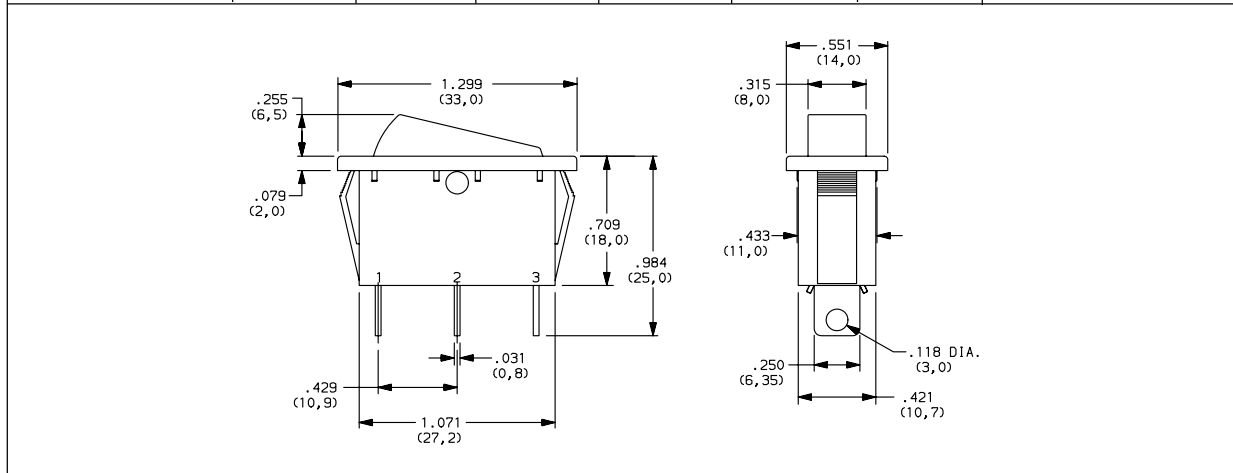


CM Series Single Pole Power Rocker Switches

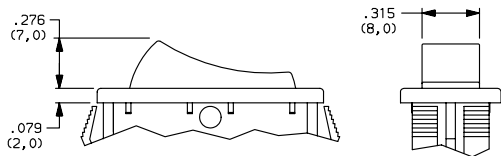
SWITCH FUNCTION

NO. POLES	MODEL NO.	SWITCH FUNCTION			CONNECTED TERMINALS			SCHEMATIC
		C&K marking on opposite side			C&K marking on opposite side			
SP	CM101	ON	NONE	ON	2-3	N/A	2-1	
	CM102	ON	NONE	OFF				 OR
	CM103	ON	OFF	ON	OPEN			
	CM107	ON	OFF	MOM.				



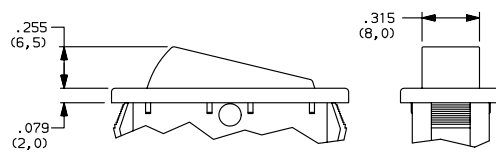
ACTUATOR

J1 ROCKER
J3 ILLUMINATED ROCKER



NOTE: J3 actuator available with CM102 switch function only.

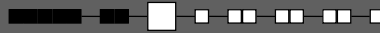
J6 ROCKER
J8 ILLUMINATED ROCKER



NOTE: J8 actuator available with CM102 switch function only.

CM Series Single Pole Power Rocker Switches

ACTUATOR COLOR



OPTION CODE	ACTUATOR COLOR
2	(STD.) BLACK
1	WHITE
3	RED
R	RED, ILLUMINATED
A	AMBER, ILLUMINATED
G	GREEN, ILLUMINATED

MOUNTING STYLE/COLOR

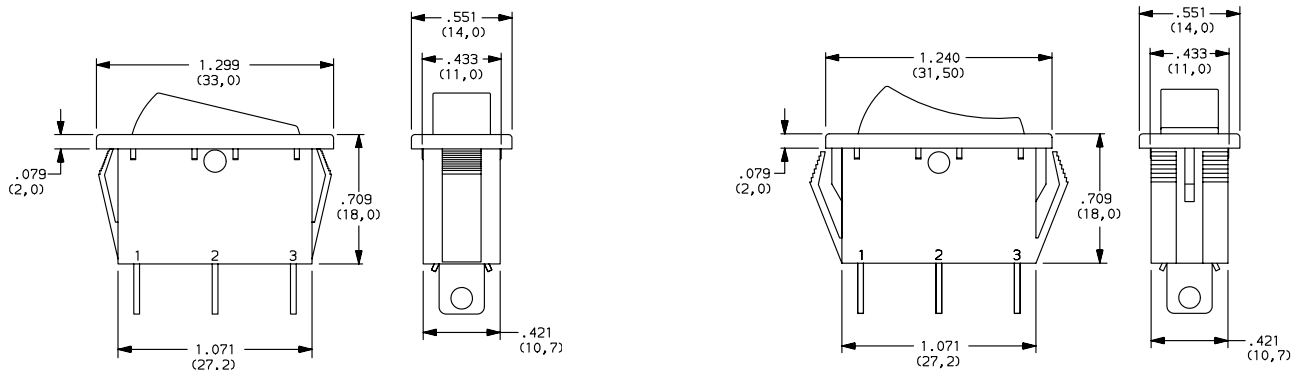


S2 (STD.) SNAP-IN, BLACK

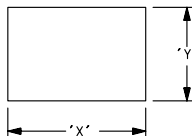
S4 (STD.) SNAP-IN, BLACK (SHORT FRAME)

S1 SNAP-IN, WHITE

S3 SNAP-IN, WHITE



PANEL MOUNTING



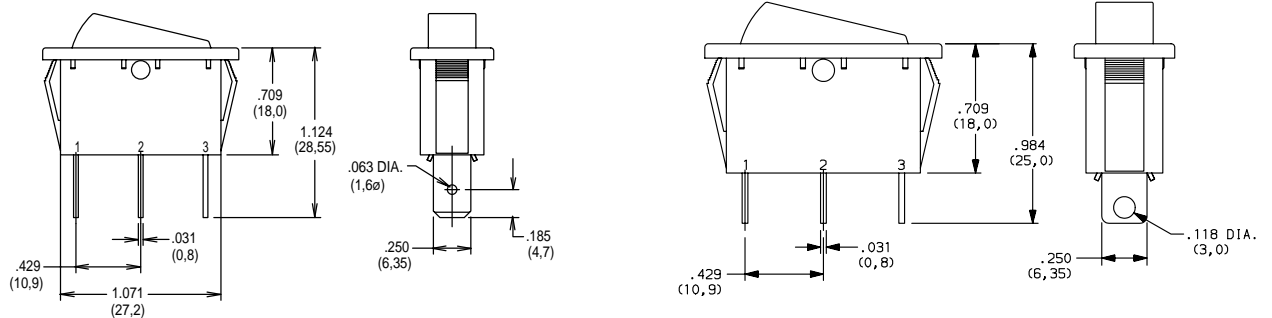
PANEL THICKNESS	"X"	"Y"
0.030-0.049 (0.75-0.25)	1.189-.004 (30,2-0.1)	0.441+.004 (11,2+0.1)
0.049-0.079 (1.25-2.0)	1.197-.004 (30,4-0.1)	0.441+.004 (11,2+0.1)
0.079-0.118 (2.0-3.0)	1.212-.004 (30,8-0.1)	0.441+.004 (11,2+0.1)

TERMINATION



05 (STD.) .250" QUICK CONNECT

07 SOLDER LUG

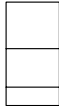


NOTE: Available with CM101 & CM102 switch functions only.

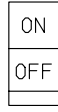
CM Series Single Pole Power Rocker Switches

ACTUATOR MARKING

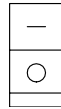
NONE (STD.) NO MARKING



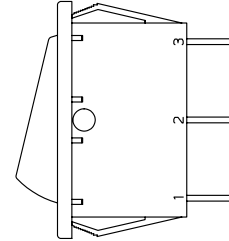
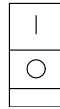
D ON-OFF



H 0-1



P 0-



NOTE: Orientation of actuator marking and terminals.

CONTACT MATERIAL

OPTION CODE	CONTACT AND TERMINAL MATERIAL	RATINGS	
QA (STD.)	SILVER	POWER	16 AMPS @ 125 VAC; 1/8 HP 10 AMPS @ 250 VAC, 1/3 HP (UL/CSA).

LAMP RATING

(NONE) NO LAMP

7 125 VAC 33kΩ NEON

8 250 VAC 150kΩ NEON

NOTE: Lamp rating for J3 & J8 actuator option.