



MORE THAN CAPS AND PLUGS

800-551-2052

Toll-Free Fax: 866-642-4115
Email: sales@allianceplastics.com

- Products
- Free Literature
- About Us
- Contact Us
- News
- Your Account

Search By
Keyword
Part #



Free Catalog
Receive FREE Printed Catalog GO



Home > Caps > Non-Threaded Push Fit Plastic Caps >> [DMPC Series](#)
Pull Style Vinyl End Caps
DMPC Series



Specifications:

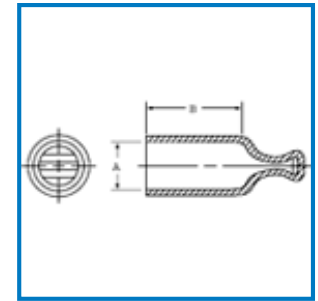
- Material: Vinyl (PVC)
- Color: Black
- Temperature Range: Up to 350°F (176°C)

Features:

- The curved pull-tab design provides more surface contact area requiring less gripping force during installation and removal
- Flexible material can stretch onto larger dimensions for a snug fit without tearing, splitting or shredding
- Glossy and attractive finish makes this part ideal for use as a decorative end cap



[Click to View Larger Image](#)



[Click to View Larger Image](#)

Item 'DMPC0427-1/2A' is highlighted below ...

[Add to Cart](#)

Part Number	A = To Fit In	A mm	B Length	Qty per Pack	Sample
DMPC0180-1/2A	0.187	4.75	1/2" (12.70mm)	5000	
DMPC0180-1A	0.187	4.75	1" (25.40mm)	5000	
DMPC0207-1/2A	0.218	5.54	1/2" (12.70mm)	5000	
DMPC0207-1A	0.218	5.54	1" (25.40mm)	5000	
DMPC0240-1/2A	0.250	6.35	1/2" (12.70mm)	5000	
DMPC0240-1A	0.250	6.35	1" (25.40mm)	5000	
DMPC0302-1/2A	0.313	7.94	1/2" (12.70mm)	7500	
DMPC0302-1A	0.313	7.94	1" (25.40mm)	5000	
DMPC0302-1-1/2A	0.313	7.94	1-1/2" (38.10)	2500	
DMPC0320-1/2A	0.320	8.13	1/2" (12.70mm)	5000	
DMPC0320-1A	0.320	8.13	1" (25.40mm)	5000	
DMPC0320-1-1/2A	0.320	8.13	1-1/2" (38.10)	2500	
DMPC0365-1/2A	0.375	9.53	1/2" (12.70mm)	5000	
DMPC0365-1A	0.375	9.53	1" (25.40mm)	3000	

DMPC0365-1-1/2A	0.375	9.53	1-1/2" (38.10)	2000
DMPC0396-1/2A	0.406	10.32	1/2" (12.70mm)	5000
DMPC0396-1A	0.406	10.32	1" (25.40mm)	5000
DMPC0396-1-1/2A	0.406	10.32	1-1/2" (38.10)	2500
DMPC0420-1/2A	0.420	10.67	1/2" (12.70mm)	5000
DMPC0420-1A	0.420	10.67	1" (25.40mm)	5000
DMPC0420-1-1/2A	0.420	10.67	1-1/2" (38.10)	2500
DMPC0427-1/2A	0.437	11.10	1/2" (12.70mm)	5000
DMPC0427-1A	0.437	11.10	1" (25.40mm)	4000
DMPC0427-1-1/2A	0.437	11.10	1-1/2" (38.10)	2500
DMPC0450-1/2A	0.450	11.43	1/2" (12.70mm)	5000
DMPC0450-1A	0.450	11.43	1" (25.40mm)	4000
DMPC0450-1-1/2A	0.450	11.43	1-1/2" (38.10)	2500
DMPC0470-1/2A	0.472	11.99	1/2" (12.70mm)	5000
DMPC0470-1A	0.472	11.99	1" (25.40mm)	4000
DMPC0470-1-1/2A	0.472	11.99	1-1/2" (38.10)	2500
DMPC0490-1/2A	0.500	12.70	1/2" (12.70mm)	5000
DMPC0490-1A	0.500	12.70	1" (25.40mm)	4000
DMPC0490-1-1/2A	0.500	12.70	1-1/2" (38.10)	2000
DMPC0521-1/2A	0.531	13.49	1/2" (12.70mm)	5000
DMPC0521-1A	0.531	13.49	1" (25.40mm)	4000
DMPC0521-1-1/2A	0.531	13.49	1-1/2" (38.10)	2500
DMPC0552-1/2A	0.562	14.27	1/2" (12.70mm)	2500
DMPC0552-1A	0.562	14.27	1" (25.40mm)	2500
DMPC0552-1-1/2A	0.562	14.27	1-1/2" (38.10)	2500
DMPC0590-1/2A	0.593	15.06	1/2" (12.70mm)	2500
DMPC0590-1A	0.593	15.06	1" (25.40mm)	1900
DMPC0590-1-1/2A	0.593	15.06	1-1/2" (38.10)	1500
DMPC0600-1/2A	0.600	15.24	1/2" (12.70mm)	5000
DMPC0600-1A	0.600	15.24	1" (25.40mm)	2500
DMPC0600-1-1/2A	0.600	15.24	1-1/2" (38.10)	2500
DMPC0615-1/2A	0.615	15.62	1/2" (12.70mm)	5000
DMPC0615-1A	0.615	15.62	1" (25.40mm)	2500
DMPC0615-1-1/2A	0.615	15.62	1-1/2" (38.10)	2000
DMPC0625-1/2A	0.625	15.88	1/2" (12.70mm)	2500
DMPC0625-1A	0.625	15.88	1" (25.40mm)	1350
DMPC0625-1-1/2A	0.625	15.88	1-1/2" (38.10)	1500

DMPC0655-1/2A	0.655	16.64	1/2" (12.70mm)	2000
DMPC0655-1A	0.655	16.64	1" (25.40mm)	2500
DMPC0655-1-1/2A	0.655	16.64	1-1/2" (38.10)	1500
DMPC0677-1/2A	0.677	17.20	1/2" (12.70mm)	5000
DMPC0677-1A	0.677	17.20	1" (25.40mm)	2500
DMPC0677-1-1/2A	0.677	17.20	1-1/2" (38.10)	1500
DMPC0687-1/2A	0.687	17.45	1/2" (12.70mm)	2500
DMPC0687-1A	0.687	17.45	1" (25.40mm)	2000
DMPC0687-1-1/2A	0.687	17.45	1-1/2" (38.10)	1500
DMPC0708-1/2A	0.708	17.98	1/2" (12.70mm)	2500
DMPC0708-1A	0.708	17.98	1" (25.40mm)	2000
DMPC0708-1-1/2A	0.708	17.98	1-1/2" (38.10)	1500
DMPC0740-1/2A	0.750	19.05	1/2" (12.70mm)	4000
DMPC0740-1A	0.750	19.05	1" (25.40mm)	2500
DMPC0740-1-1/2A	0.750	19.05	1-1/2" (38.10)	1500
DMPC0812-1/2A	0.812	20.62	1/2" (12.70mm)	2500
DMPC0812-1A	0.812	20.62	1" (25.40mm)	2000
DMPC0812-1-1/2A	0.812	20.62	1-1/2" (38.10)	750
DMPC0865-1/2A	0.875	22.23	1/2" (12.70mm)	1500
DMPC0865-1A	0.875	22.23	1" (25.40mm)	1500
DMPC0865-1-1/2A	0.875	22.23	1-1/2" (38.10)	750
DMPC0990-1/2A	1.000	25.40	1/2" (12.70mm)	1500
DMPC0990-1A	1.000	25.40	1" (25.40mm)	1500
DMPC0990-1-1/2A	1.000	25.40	1-1/2" (38.10)	750
DMPC1060-1A	1.060	26.92	1" (25.40mm)	1000
DMPC1060-1-1/2A	1.060	26.92	1-1/2" (38.10)	700
DMPC1125-1A	1.125	28.58	1" (25.40mm)	1000
DMPC1125-1-1/2A	1.125	28.58	1-1/2" (38.10)	700
DMPC1230-1A	1.250	31.75	1" (25.40mm)	1000
DMPC1230-1-1/2A	1.250	31.75	1-1/2" (38.10)	700
DMPC1500-1A	1.500	38.10	1" (25.40mm)	700
DMPC1500-1-1/2A	1.500	38.10	1-1/2" (38.10)	250
DMPC1605-1A	1.625	41.28	1" (25.40mm)	550
DMPC1605-1-1/2A	1.625	41.28	1-1/2" (38.10)	350

