

CODIX520, Totalizer

- High count speed, numerous programming options
- Input pulse shape variable (Schmitt Trigger characteristics)
- Display range 0 to 999,999 with leading zero blanking
- Connection with screw terminal

Robust housing

Large, bright display, 8 mm high

NPN or PNP inputs, max. 60 kHz



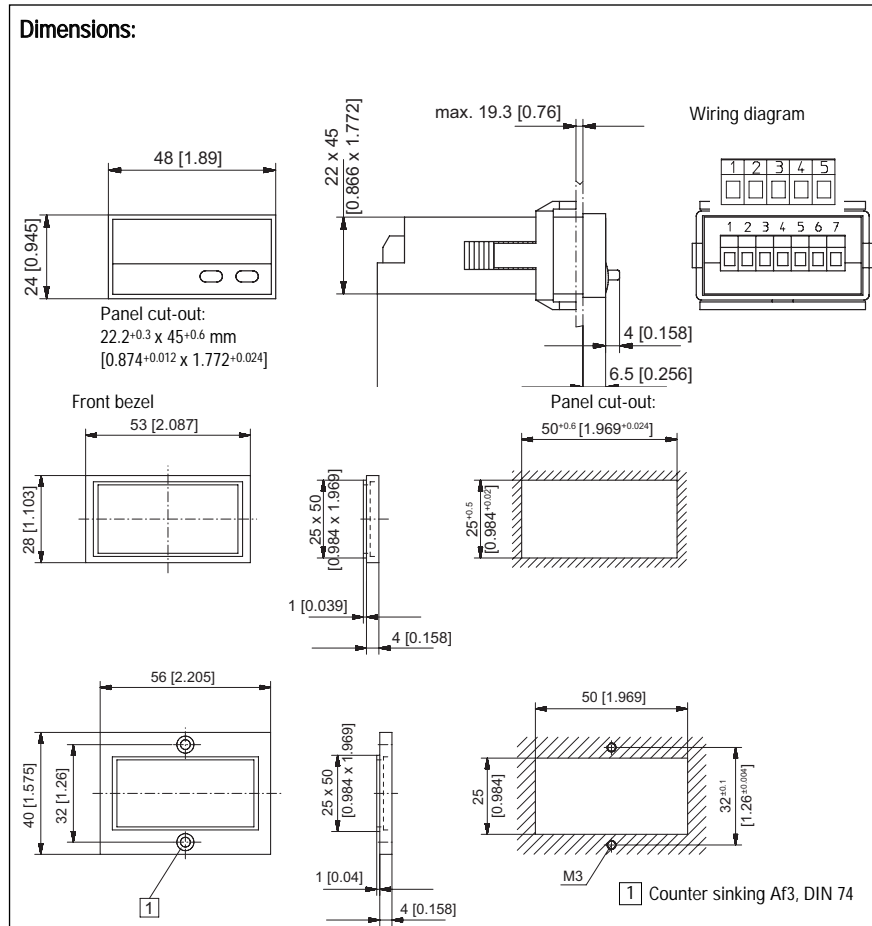
Wide power supply range

Big keys for use
when wearing gloves

Technical data:

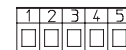
Supply voltage:	10 ... 30 V DC, with reverse polarity protection
Current consumption:	max. 50 mA
Display:	6 digit red 7-segment LED; 8 mm [0.315"] high
Data backup:	EEPROM
Housing:	Dimensions 48 x 24 mm [1.89 x 0.945"] according to DIN 43 700; RAL 7021, grey
Polarity of inputs:	programmable, npn or pnp for all inputs
Input resistance:	approx. 5 k Ω
Counting frequency:	max. 60 kHz, can be damped to 30 Hz
Reset time:	5 ms

Level of inputs:	Low: 0 ... 0.2 [0 ... 0.008"] x U _B [V DC] High: 0.6 [0.024"] x U _B ... 30 [V DC]
Level of inputs: 5 V version	Low: 0 ... 2 V DC High: 4 ... 30 V DC
EMC:	according to EC EMC directive 89/36/EWG
Immunity to interference:	EN 61 000-6-4/EN 55011 class B
Emitted interference:	EN 61 000-6-2
Ambient temperature:	-10 ... +50 °C [14 °F ... 112 °F], non-condensing
Storage temperature:	-25 ... +70 °C [-13 °F ... 158 °F]
Protection:	IP65 (front)
Weight:	approx. 50 g [1.764 oz]



Connections:

- 10 ... 30 VDC
- 0 V GND
- INP
-
- Reset



Order Code and delivery specification:

Scope of delivery:

- 1 Digital display
- 1 Panel mounting clip
- 1 Bezel for screw mounting, panel cut out 50 x 25 mm [1.969 x 0.984"]
- 1 Bezel for clip mounting, panel cut out 50 x 25 mm [1.969 x 0.984"]
- 1 Seal
- 1 Multilingual operating instructions

Order code::

6.520.012.3X0

Level of inputs
0 = Standard
A = 5 V