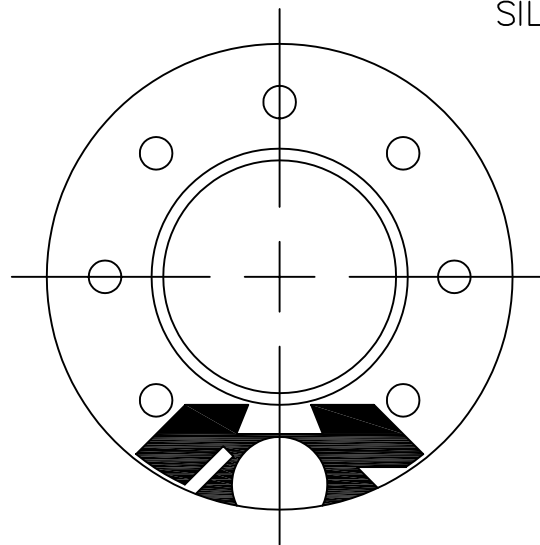


THIS DOCUMENT CONTAINS DATA PROPRIETARY TO PROJECTS UNLIMITED, INC. ANY USE OR REPRODUCTION, IN ANY FORM, WITHOUT PRIOR WRITTEN PERMISSION OF PROJECTS UNLIMITED, INC. IS PROHIBITED.
© 2003, Projects Unlimited Inc.

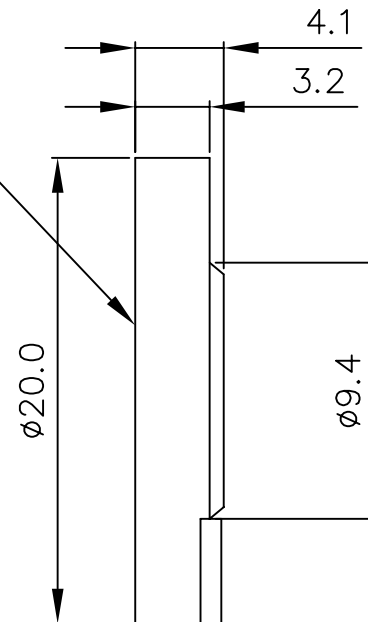
SPECIFICATIONS

PARAMETERS	VALUES	UNITS
RATED INPUT POWER	0.08	W
MAX INPUT POWER	0.15	W
IMPEDANCE	32±15%	OHM
OUTPUT SPL @ 0.08W/10 cm (AT 1.0, 1.2, 1.5, 2.0 kHz)	86±3	dB
DISTORTION	5%	-
RESONANT FREQUENCY	840±20%	Hz
FREQUENCY RANGE	840 ~ 4,500	Hz
HOUSING MATERIAL	ABS UL-94 1/16" HB	-
CONE MATERIAL	MYLAR	-
MAGNET MATERIAL	Nd-Fe-B	-
OPERATING TEMPERATURE	-20 ~ +55	°C
WEIGHT	1.6	grams

REVISIONS			
LTR	DESCRIPTION	DATE	APPROVED
-	RELEASED FROM ENGINEERING	11/10/03	
A	REVISED TO NEW TEMPLATE	4/14/04	R. W.
B	ADDED SILVER NOTE	9/23/05	B. R.



SILVER



NOTES:

1. ALL DIMENSIONS ARE IN MILLIMETERS.
2. SPECIFICATION SUBJECT TO CHANGE OR WITHDRAWAL WITHOUT NOTICE.

FILE NAME
AS02032MR.DWG

UNLESS OTHERWISE SPECIFIED:
DIMENSIONS ARE IN
MILLIMETERS, TOLERANCES ARE ±0.5 AND
ANGLES ARE ±3°.



projects®
unlimited

Dayton, Ohio

APPROVALS	DATE
DRAWN R. A. C.	11/03

APPROVED E. P.	11/03
----------------	-------

DO NOT SCALE DRAWING

SPEAKER
AS02032MR

SIZE A	DRAWING NO. AS02032MR
-----------	--------------------------

SCALE: N.T.S.	SHEET 1 OF 1
---------------	--------------

Mouser Electronics

Authorized Distributor

Click to View Pricing, Inventory, Delivery & Lifecycle Information:

[PUI Audio:](#)

[AS02032MR](#)