



TFSDT-05-30-G-05.00-D-NUS

TFSD-15-30-G-05.00-D-NUX

TFSS-07-30-G-05.00-D-NUS

(1,27 mm) .050"

TFSS, TFSST, TFSD, TFSDT SERIES

TIGER EYE™ DISCRETE CABLE ASSEMBLY

SPECIFICATIONS

For complete specifications see www.samtec.com?TFSS, www.samtec.com?TFSD, www.samtec.com?TFSDT, or www.samtec.com?TFSST

Insulator Material:

Black LCP

Contact Material:

BeCu

Plating:

Au over 50µ" (1,27 µm) Ni

Operating Temp Range:

-10°C to +80°C (PVC)

-40°C to +125°C (*Teflon®)

Wire:

28 or 30 AWG

RoHS Compliant:

Yes

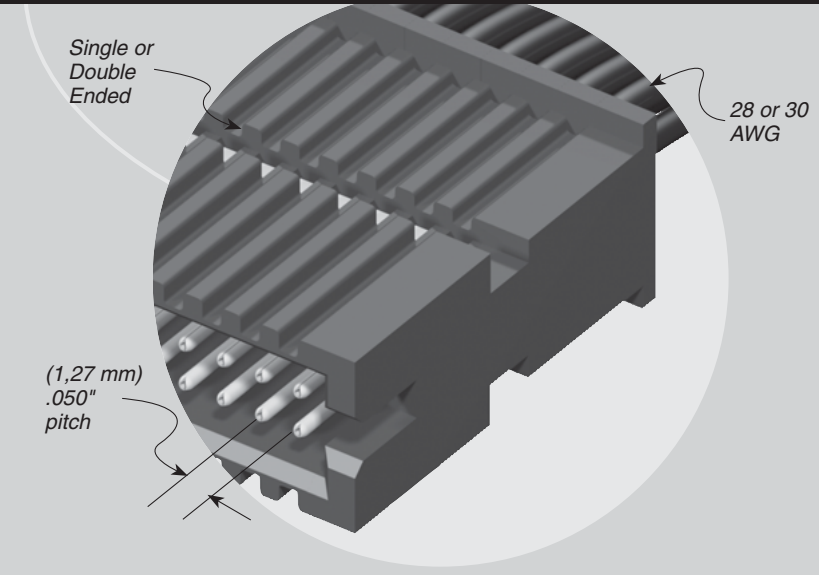
Mates with:

SFM, SFC (-TR requires

TFM-WT option),

SFML (-XL end option

required)



RECOGNITIONS

For complete scope of recognitions see www.samtec.com/quality



TYPE STRIP	POSITIONS PER ROW	WIRE GAUGE	PLATING OPTION	ASSEMBLED LENGTH	END OPTION	END 2 OPTION
TFSS = Single Row PVC Cable	-03, -04, -05, -07, -10, -15, -20, -25, -40, -50 (Standard sizes)	-30 = 30 AWG -28 = 28 AWG	-G = 10µ" (0,25 µm) Gold on contact	-"XX.XX" = Assembled Length in Inches (76,20 mm) 03.00" min. for -S end option (82,60 mm) 03.25" min. for -D end option	-S = Single Ended -D = Double Ended -T = Transfer End Terminal on End 1 Socket on End 2 (See chart for End 2 option) -TF* = Transfer End with Friction Lock -TR = Transfer End with Retention Latch (TFM -WT option required for mating)	Requires -D, -TF or -TR (End 1 Notch Down). -NUS = Notch up, straight (Pin 1 to Pin 2) -NDS = Notch down, straight (Pin 1 to Pin N-1) -NUX = Notch up, crossed (Pin 1 to Pin 1) (TFSD/TFSDT only) -NDX = Notch down, crossed (Pin 1 to Pin N) (TFSD/TFSDT only)
TFSST = Single Row *Teflon® Cable						
TFSD = Double Row PVC Cable						
TFSDT = Double Row *Teflon® Cable						

END 2	END OPTION
T-NUS	Pin 1 to Pin N
T-NDS	Pin 1 to Pin 1
T-NUX	Pin 1 and Pin N-1
T-NDX	Pin 1 to Pin 2

Due to technical progress, all designs, specifications and components are subject to change without notice.

ALSO AVAILABLE (MOQ Required)

- Color coded cable (*Teflon® N/A)
 - Other plating options
- Contact Samtec.

*DuPont™ Teflon® is a registered trademark of the E.I. du Pont de Nemours and Company or its affiliates.

Note: For wiring option and pin position location information, refer to drawings on web.

Note: Some lengths, styles and options are non-standard, non-returnable.

WWW.SAMTEC.COM