



## MLRF1010

**Epoxy Coated, MIL-PRF-83446**

M83446/4 Phenolic Core & Ferrite Core

PART NUMBER (1)	MIL DASH NUMBERS **	L $\mu$ H	Q MIN	TEST FREQ MHz	SRF MHz MIN (2)	DCR OHMS MAX	CURRENT RATING mA DC MAX (3)
M83446/4 PHENOLIC CORE							
MLRF1010-010*	30/37	0.010	60	50	2700	0.060	1270
MLRF1010-012K	38	0.012	57	50	2450	0.069	1190
MLRF1010-015*	31/39	0.015	55	50	2200	0.078	1110
MLRF1010-018K	40	0.018	52	50	2000	0.093	1030
MLRF1010-022*	32/41	0.022	50	50	1800	0.108	950
MLRF1010-027K	42	0.027	49	50	1625	0.114	925
MLRF1010-033*	33/43	0.033	48	50	1450	0.120	900
MLRF1010-039K	44	0.039	45	50	1335	0.133	860
MLRF1010-047*	34/45	0.047	42	50	1220	0.145	820
MLRF1010-056K	46	0.056	39	50	1110	0.170	760
MLRF1010-068*	35/47	0.068	36	50	1000	0.195	705
MLRF1010-082K	48	0.082	34	50	915	0.212	675
MLRF1010-100*	36/49	0.100	32	50	830	0.230	650

\*Suffix "K" for 10% tolerance, Suffix "M" for 20% tolerance

*continued next page*

\*\* Where there are 2 MIL DASH NUMBERS, the first is 20% tolerance and the second is 10% tolerance

(1) Add suffix letter "S" to order with tin/lead solder termination, otherwise gold termination will be provided

(2) SRF values above 250 MHz are calculated and are for reference only

(3) These values are also the maximum incremental current for ferrites only. Incremental current will not change the inductance more than 5% from the zero DC inductance measurement

### NOTES:

- Operating Temperature Range: -55°C to +125°C
- Current Rating is based on a 35°C temperature rise at an ambient temperature of 90°C
- DWV 200 Vrms @ Sea Level  
80 Vrms @ 70,000 Feet
- Weight maximum 0.50 grams (0.017637 ounces)

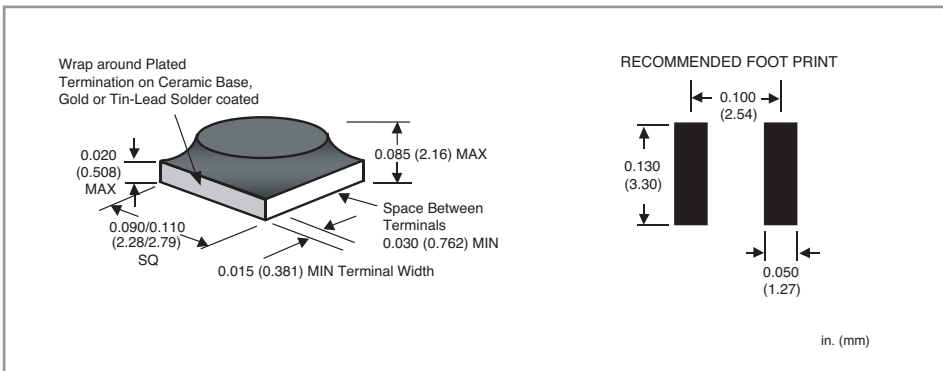
Gold termination is code "A" finish of MIL-PRF-83446

Tin-Lead solder termination is code "B" or "F" finish of MIL-PRF-83446

Example of ordering by Military number for  
MLRF1010-220K: M83446/4-04A  
MLRF1010-220KS: M83446/4-04B

### TAPE AND REEL SPECS:

Pcs./Reel maximum:	2000
Pitch between parts:	4 mm
Tape width:	12 mm
Reel diameter:	7 in.



continued from previous page

## MLRF1010



Epoxy Coated, MIL-PRF-83446

M83446/4 Phenolic Core & Ferrite Core



PART NUMBER (1)	MIL DASH NUMBERS **	L $\mu$ H	Q MIN	TEST FREQ MHz	SRF MHz MIN (2)	DCR OHMS MAX	CURRENT RATING mA DC MAX (3)
M83446/4 FERRITE CORE							
MLRF1010-120K	01	0.120	30	25	750	0.125	880
MLRF1010-150K	02	0.150	25	25	650	0.175	745
MLRF1010-180K	03	0.180	25	25	550	0.200	695
MLRF1010-220K	04	0.220	25	25	450	0.220	665
MLRF1010-270K	05	0.270	25	25	375	0.230	650
MLRF1010-330K	06	0.330	25	25	300	0.235	645
MLRF1010-390K	07	0.390	22	25	235	0.240	635
MLRF1010-470K	08	0.470	22	25	215	0.260	610
MLRF1010-560K	09	0.560	22	25	195	0.278	590
MLRF1010-680K	10	0.680	22	25	175	0.520	435
MLRF1010-820K	11	0.820	22	25	160	0.530	430
MLRF1010-101K	12	1.0	22	25	145	0.540	425
MLRF1010-121K	13	1.2	22	7.9	130	0.740	360
MLRF1010-151K	14	1.5	22	7.9	115	0.840	340
MLRF1010-181K	15	1.8	22	7.9	105	0.920	325
MLRF1010-221K	16	2.2	22	7.9	85	1.00	310
MLRF1010-271K	17	2.7	24	7.9	77	1.15	290
MLRF1010-331K	18	3.3	24	7.9	70	1.40	260
MLRF1010-391K	19	3.9	24	7.9	68	1.55	250
MLRF1010-471K	20	4.7	24	7.9	60	1.80	230
MLRF1010-561K	21	5.6	22	7.9	55	2.00	220
MLRF1010-681K	22	6.8	22	7.9	50	2.20	210
MLRF1010-821K	23	8.2	22	7.9	48	2.50	195
MLRF1010-102K	24	10	24	7.9	40	3.45	165
MLRF1010-122K	25	12	25	2.5	35	3.80	160
MLRF1010-152K	26	15	25	2.5	30	5.60	135
MLRF1010-182K	27	18	25	2.5	28	5.80	130
MLRF1010-222K	28	22	25	2.5	25	6.40	125
MLRF1010-272K	29	27	25	2.5	22	6.90	120

\*Suffix "K" for 10% tolerance, Suffix "M" for 20% tolerance

\*\* Where there are 2 MIL DASH NUMBERS, the first is 20% tolerance and the second is 10% tolerance

(1) Add suffix letter "S" to order with tin/lead solder termination, otherwise gold termination will be provided

(2) SRF values above 250 MHz are calculated and are for reference only

(3) These values are also the maximum incremental current for ferrites only. Incremental current will not change the inductance more than 5% from the zero DC inductance measurement

### NOTES:

- Operating Temperature Range: -55°C to +125°C
- Current Rating is based on a 35°C temperature rise at an ambient temperature of 90°C
- DWV 200 Vrms @ Sea Level  
80 Vrms @ 70,000 Feet
- Weight maximum 0.50 grams (0.017637 ounces)

Gold termination is code "A" finish of MIL-PRF-83446

Tin-Lead solder termination is code "B" or "F" finish of MIL-PRF-83446

Example of ordering by Military number for  
MLRF1010-220K: M83446/4-04A  
MLRF1010-220KS: M83446/4-04B

### TAPE AND REEL SPECS:

Pcs./Reel maximum:	2000
Pitch between parts:	4 mm
Tape width:	12 mm
Reel diameter:	7 in.

