



This document is the property of and contains CONFIDENTIAL and PROPRIETARY information of FCI. No part of the information shown on this document may be used in any way or disclosed to others without the written consent of FCI. Copyright FCI.

PART NUMBER	MADE FROM		NOTES
	TOP COVER	LIGHT-GUIDE	
10051931-010LF	10051926-012	10051927-001	Color Black
10051931-011LF	10051926-012	10051927-001	Color BLACK, 4G systems logo

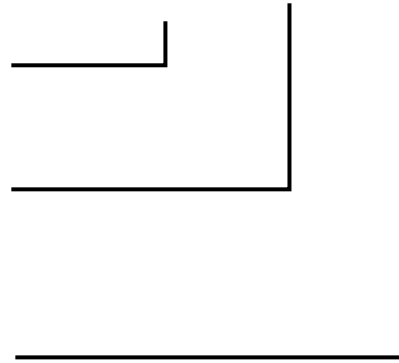
LEGEND :

10051931 - X Y Z LF

AUDIO HOLE : 0 = NO
1 = YES

MATERIAL COLOR : 1 = BLACK

DECORATION FINISH : 0 = NO
1 = PRINTING



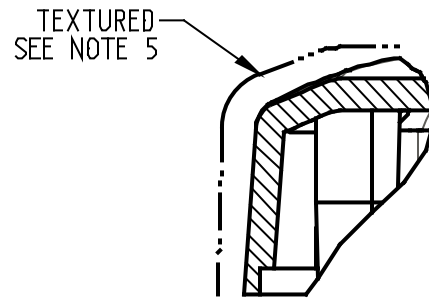
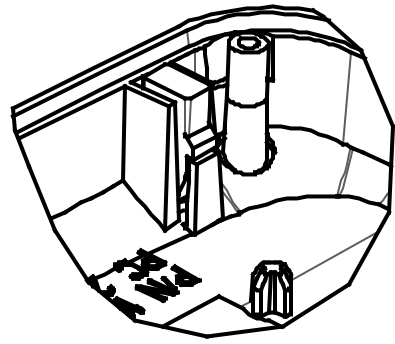
rev	ecn no	dr	date
A	F06-0213	LSA	06-06-20
-	-	-	-
-	-	-	-
-	-	-	-
-	-	-	-
-	-	-	-
-	-	-	-

"LF" SUFFIX MEANS THAT THE PRODUCT IS RoHS COMPATIBLE AND MEETS EU REGULATION 2002/EG/95

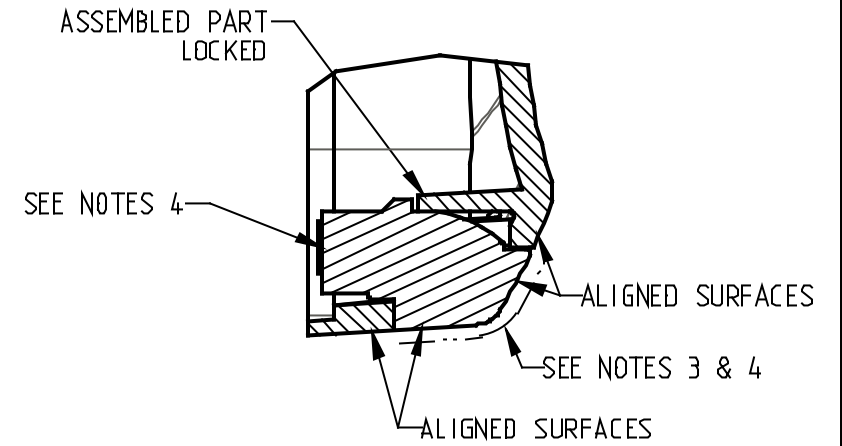
Mark with "10051931/REV. A" in area indicated by X.....

Material /		Spec ref		
Mat code -	surface -	tolerance	projection	mm
Heatreat -	ISO 1302	ISO 406 ISO 1101		
Plating/Finish -				
Dr L. SAILLARD	05-04-19	Product family -		size A4
Eng L. SAILLARD	05-04-19	Model Name 10051931		Scale 5:2
Chr D. CONVERCE	05-04-19	Model Revision 2		ECN F06-0213
Appr /	/	REL Level		RELEASED

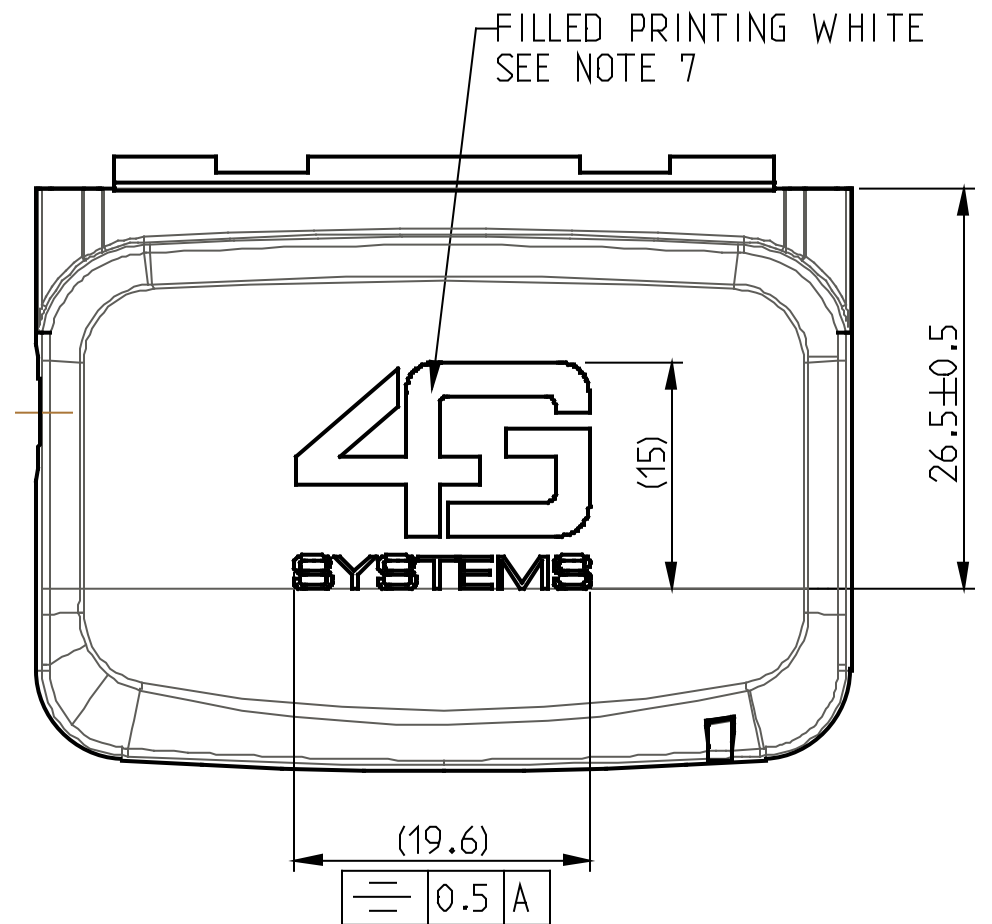
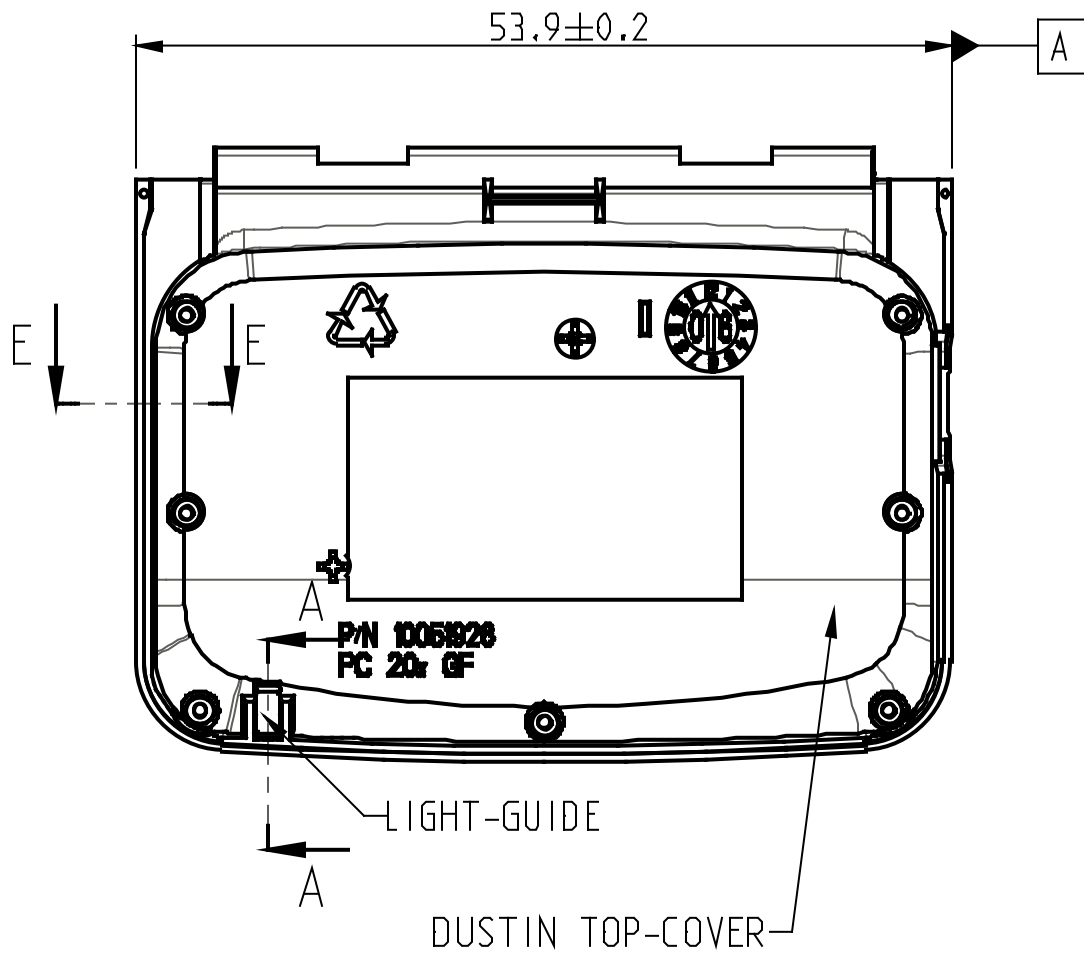
	title	10051931C		Rev.
	TOP PLASTIC ASSY DUSTIN ANTENNA EXTENSION			A
Pro/E file	catalog no	CUSTOMER	sheet 1 of 2	



SECTION E-E
SCALE 4:1



SECTION A-A
SCALE 4:1



PRINTING SPECIFICATIONS
10051931-011LF ONLY

- NOTES :
- 1-MATERIAL FOR TOP-COVER IS PC 20% GF, COLOR : SEE TABLE PAGE 1.
 - 2- MATERIAL FOR LIGHT-GUIDE IS PC NATURAL, COLOR TRANSPARENT.
 - 3- VISUAL QUALITY OF EXTERNAL SURFACES / CLASS 2 ACCORDING GS-12-326.
 - 4- SURFACE TEXTURE IS VDI 3400/27 TO 30.
 - 5- SURFACE TEXTURE IS VDI 3400/25 TO 27
 - 6- PACKAGED IN TRAY ACCORDING GS-19-994.
 - 7- LOGO PRINTING ACCORDING ARTWORK "4G_1C_SCHWARZ.EPS"

	TOP PLASTIC ASSY	10051931C	Rev. A
	DUSTIN ANTENNA EXTENSION	CUSTOMER	sheet 2 of 2
catalog no	10051931-XYZ LF	dwg no	

Copyright FCI.