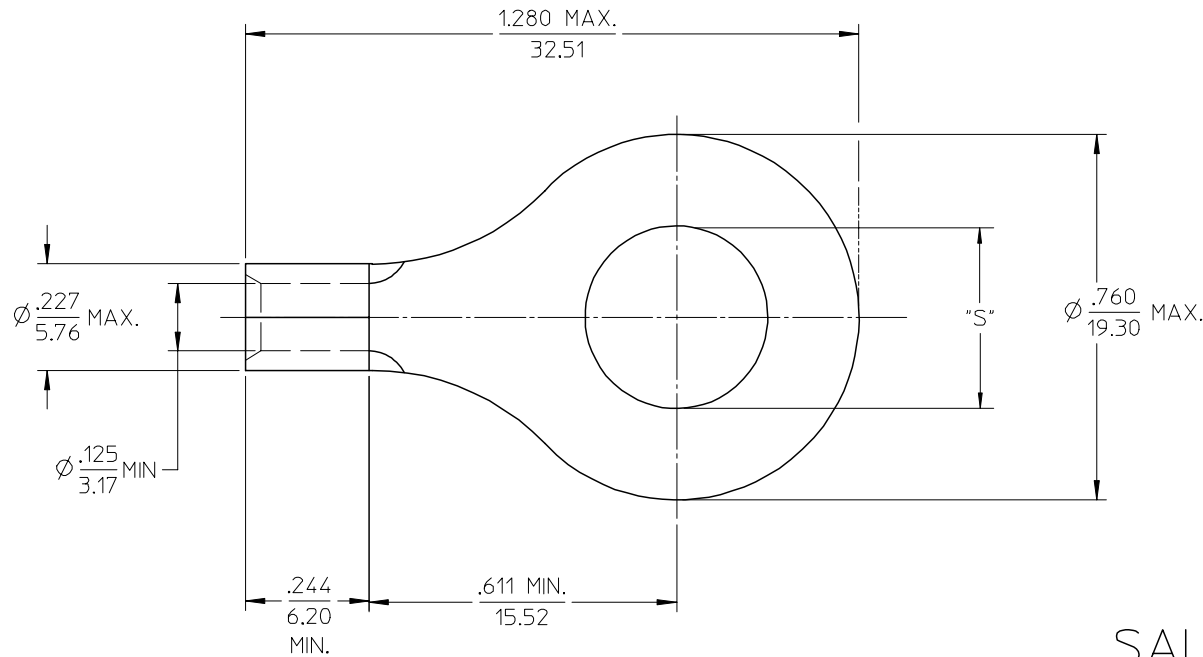
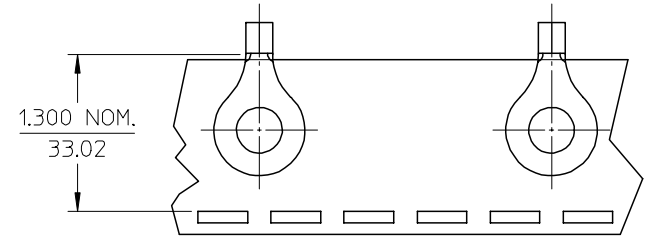


MATERIAL NO. LOOSE PIECE	ENG. NO.	MATERIAL NO. TAPE MOUNTED	ENG. NO.	STUD SIZE	±.003 *S*	STOCK THICKNESS
191930096	C-301-14	-----	-----	1/4	.265	.040 (1.02)
191930098	C-301-56	-----	-----	5/16	.328	
191930097	C-301-38	-----	-----	3/8	.390	
191930099	C-301-76	191930100	C-301-76T	7/16	.453	
191930094	C-301-12	191930095	C-301-12T	1/2	.515	



SALES DRAWING

NOTE(S):

1. MATERIAL: COPPER
2. PLATING: ELECTROPLATE TIN
3. ALL DIMENSIONS IN INCHES/(MM).
4. WIRE SIZE: 12-10 AWG
4.0-6.0 MM²

REVISED/UPDATE TO MX STD EC NO: ETC2003-0315 DRWN:DMYRICK 2003/08/20 CHKD:HEB 2003/08/21 APPR:RDEROSS 2003/08/21	QUALITY SYMBOLS	GENERAL TOLERANCES (UNLESS SPECIFIED)		SCALE 4:1	DESIGN UNITS INCH	THIRD ANGLE PROJECTION	REVISE ON CAD ONLY	
	DESCRIPTION ▼ = 0 ▽ = 0	4 PLACES	mm	INCH	DIMENSION STYLE IN/MM		TITLE	
		3 PLACES	± ---	± ---	DRAWN BY DLM	DATE 03/06/13	RING TONGUE TERMINAL VERSAKRIMP SERIES 12-10 AWG	
		2 PLACES	± 0.13	± .01	CHECKED BY HEB	DATE 03/06/13		
1 PLACE	± 0.25	± ---	ANGULAR ±1/2°		MOLEX INCORPORATED			
REV	A	DRAFT WHERE APPLICABLE		APPROVED BY RWD	DATE 03/06/13	MATERIAL NO. (SEE CHART)	DOCUMENT NO. SD-19193-022	SHEET NO. 1 OF 1
		MUST REMAIN WITHIN DIMENSIONS		THIS DRAWING CONTAINS INFORMATION THAT IS PROPRIETARY TO MOLEX INCORPORATED AND SHOULD NOT BE USED WITHOUT WRITTEN PERMISSION				B