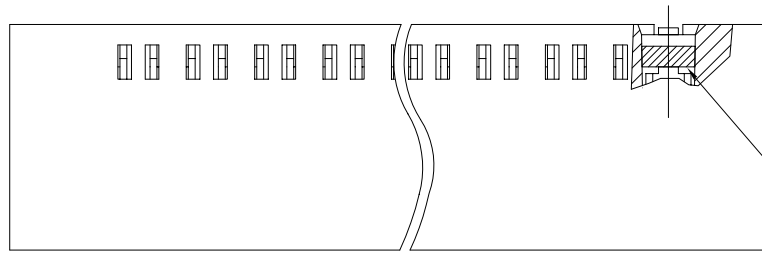




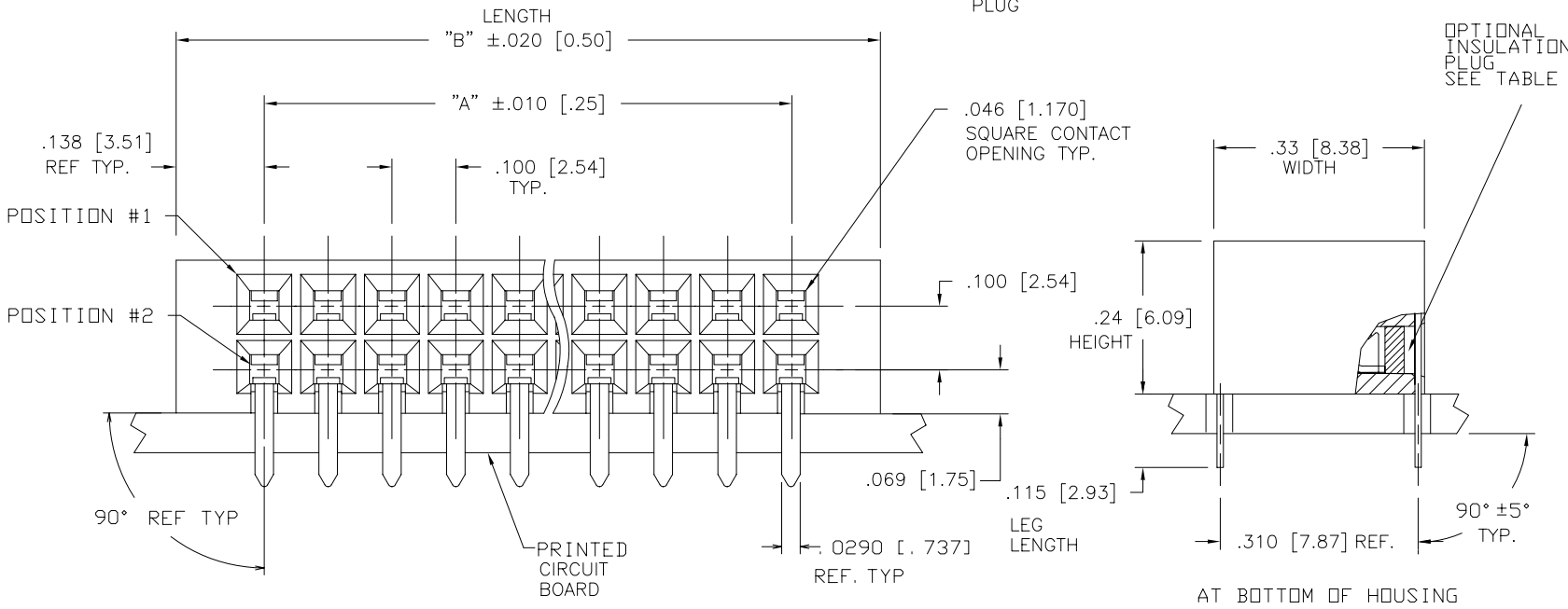
FCIconnect.com

Copyright FCI

PRODUCT NO  
SEE TABLE



OPTIONAL  
INSULATOIN  
PLUG



OPTIONAL  
INSULATION  
PLUG  
SEE TABLE

mat'l. code SEE NOTES 1 & 2		surface ISO 1302 ✓	tolerance ISO 406 ISO 1101	projection ⊕	product family CARD CONN.
ltr ecn no dr date		tolerances unless otherwise specified		INCH/MM	title
F	V70999	LSS	12/10/97		angles
G	V02518	MDF	10/31/00	linear	CARD CONNECTOR
H	V21043	RGD	06/11/02	0°±2'	scale 1:1
J	V21069	GIP	07/30/02	dr	H.ABBOTT 12/15/81
K	V21320	GIP	08/13/02	enr	B.HILEGAS 01/05/82
L	M06-0181	MHT	8/16/05	chr	D.NEIDICH 01/25/82
M	M06-0319	MHT	8/21/06	app	D.NEIDICH 01/25/82
sheet	revision	M	M	M	FCI
index	sheet	1	2	3	

dwg no 67212 sheet 1 of 3 size A3

type Product Customer Drawing

form: A3

PRODUCT NO  
SEE TABLE

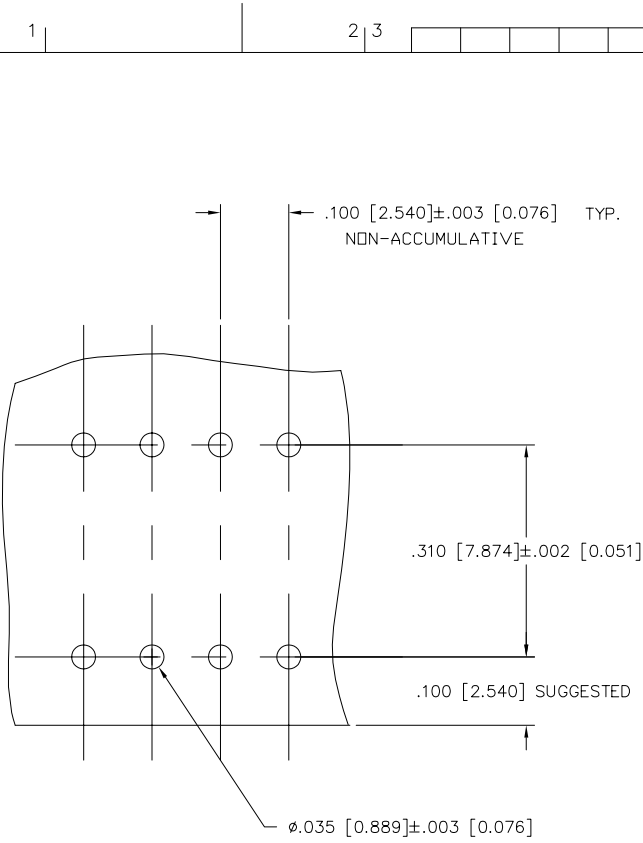


FIGURE 1  
SCALE 1:1

NOTES:

- ① HOUSING MATERIAL:  
FILLED HIGH TEMPERATURE NYLON  
COLOR: BLACK
- ② TERMINAL MATERIAL:  
BODY: BRASS  
.010/0.25 THICK  
SPRING: BE-CU  
HEAT TREATED  
BODY PLATING:  
30 MICROINCH/0.76 MICRON GOLD  
OVER 50 MICROINCH /1.27 MICRON NICKEL  
IN CONTACT AREA  
SPRING PLATING: GOLD FLASH
- ③ MARK "FCI" FCI PART NUMBER AND DATE CODE.  
LEGIBLE ON TUBE LABEL.
- 4. APPLICATION INFORMATION:  
A. RECOMMENDED MOUNTING HOLE  
PATTERN IS SHOWN IN FIGURE "1"  
B. ALL MATING PINS TO BE  
.025/ 0.64 SQUARE ON TRUE  
CENTER OF GIVEN TERMINAL  
SPACINGS WITHIN .015/0.38 DIA.  
C. SUGGESTED MATING PIN LENGTH  
1.350±.020/8.89±0.51
- 5. PART NUMBER SERIES -1XX TO HAVE A LASER PRINTED  
ARROW POINTING TO POSITION #1.  
EXAMPLE;  

00	00	00	00	00	00	00	00	00	00
↓									
- ⑥ ADD "LF" SUFFIX AT THE END OF PART NUMBER FOR LEAD  
FREE OPTION.
- ⑦ THESE PRODUCT MEETS EUROPEAN UNION DIRECTIVES AND OTHER  
COUNTRY REGULATIONS AS DESCRIBED IN GS-22-008
- 8. THIS PART WILL WITHSTAND EXPOSURE TO 260°C PEAK TEMPERATURE  
FOR 20 SECONDS IN A WAVE SOLDER, INFRA-RED OR VAPOR PHASE  
SOLDER PROCESS.



FCIconnect.com

Copyright FCI

mat'l. code		surface ISO 1302 ✓		tolerance ISO 406 ISO 1101		projection ⊕		product family CARD CONN.	
ltr		ecn no dr		date		tolerances unless otherwise specified		title	
M						.xx±.01/.3		QKE MATE CARD CONNECTOR	
						.xxx±.005/.13		INCH/MM	
						.xxxx±.0020/.051		scale 1:1	
				dr		H.ABBOTT 12/15/81		dwg no	
				enr		B.HILEGAS 01/05/82		sheet 2 of 3 size	
				chr		D.NEIDICH 01/25/82		67212 A3	
				appd		D.NEIDICH 01/25/82		type Product Customer Drawing	
sheet index		revision sheet							

PRODUCT NO.	N. OF POS.	DIM. A ±.010 0.25	DIM. B ±.020 0.51	INSULATION PLUG	ARROW NOTE 5 MARKING	LEAD FREE OPTION		
67212-001	2X10	.900/22.86	1.175/29.85	NO	NO	NOTE 6,7		
-002	2X20	1.900/48.26	2.175/55.25	NO	NO			
-003	2X25	2.400/60.96	2.675/67.95					
-004	2X5	.400/10.16	.675/17.15					
-005	2X7	.600/15.24	.875/22.23					
-006	2X8	.700/17.78	.975/24.77					
-007	2X13	1.200/30.48	1.475/37.47					
-008	2X17	1.600/40.46	1.875/47.63					
-009	2X30	2.900/73.66	1.175/29.85					
67212-101	2X10	.900/22.86	1.175/29.85				NO	YES
-102	2X20	1.900/48.26	2.175/55.25			NO	YES	
-103	2X25	2.400/60.96	2.675/67.95					
-104	2X5	.400/10.16	.675/17.15					
-105	2X7	.600/15.24	.875/22.23					
-106	2X8	.700/17.78	.975/24.77					
-107	2X13	1.200/30.48	1.475/37.47					
-108	2X17	1.600/40.46	1.875/47.63					
67212-109	2X30	2.900/73.66	1.175/29.85	NO	YES			
-501	2X10	.900/22.86	1.175/29.85	YES	YES			
-502	2X20	1.900/48.26	2.175/55.25	YES	YES			
-503	2X25	2.400/60.96	2.675/67.95					
-504	2X5	.400/10.16	.675/17.15					
-505	2X7	.600/15.24	.875/22.23					
-506	2X8	.700/17.78	.975/24.77					
-507	2X13	1.200/30.48	1.475/37.47					
-508	2X17	1.600/40.46	1.875/47.63					
67212-509	2X30	2.900/73.66	1.175/29.85			YES	YES	
								NOTE 6,7



FCJconnect.com

Copyright FCJ

mat'l. code		surface ISO 1302 <input checked="" type="checkbox"/>	tolerance ISO 406 ISO 1101	projection 	product family CARD CONN.
ltr	ecn no	dr	date	tolerances unless otherwise specified	title
M				angles linear .xx±.01/.3 .xxx±.005/.13 .xxxx±.0020/.051	QKE MATE CARD CONNECTOR
				0'±2'	INCH/MM scale 1:1
		dr	H.ABBOTT	12/15/81	dwg no
		enr	B.HILEGAS	01/05/82	sheet 3 of 3 size
		chr	D.NEIDICH	01/25/82	67212 A3
		appd	D.NEIDICH	01/25/82	type Product Customer Drawing
sheet index	revision sheet				



form: A3