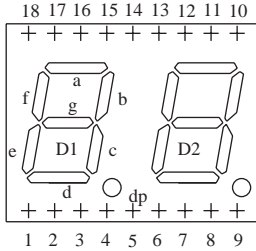


Numeric Display

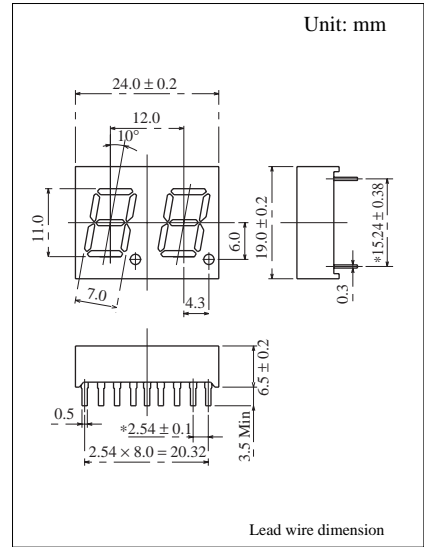
2 Digit 11.0 mm (.4") Series

| | | |
|-----------------------|------------------|----------------|
| Conventional Part No. | Global Part No. | Lighting Color |
| LN524YA | LNM424AA01 | Amber |
| LN524YK | LNM424KA01 | Amber |
| LN524OA | LNM824AA01 | Orange |
| LN524OK | LNM824KA01 | Orange |

Terminal Connection



| Pin No. | Assignment | Assignment |
|---------|-----------------|-------------------|
| 1 | Cathode e1 | Anode e1 |
| 2 | Cathode d1 | Anode d1 |
| 3 | Cathode c1 | Anode c1 |
| 4 | Cathode dp1 | Anode dp1 |
| 5 | Cathode e2 | Anode e2 |
| 6 | Cathode d2 | Anode d2 |
| 7 | Cathode g2 | Anode g2 |
| 8 | Cathode c2 | Anode c2 |
| 9 | Cathode dp2 | Anode dp2 |
| 10 | Cathode b2 | Anode b2 |
| 11 | Cathode a2 | Anode a2 |
| 12 | Cathode f2 | Anode f2 |
| 13 | Common Anode D2 | Common Cathode D2 |
| 14 | Common Anode D1 | Common Cathode D1 |
| 15 | Cathode b1 | Anode b1 |
| 16 | Cathode a1 | Anode a1 |
| 17 | Cathode g1 | Anode g1 |
| 18 | Cathode f1 | Anode f1 |



Absolute Maximum Ratings (T_a = 25°C)

| Lighting Color | P _D (mW) | I _F (mA) | I _{FP} (mA)* | V _R (V) | T _{opr} (°C) | T _{stg} (°C) |
|----------------|---------------------|---------------------|-----------------------|--------------------|-----------------------|-----------------------|
| Amber | 60 | 20 | 100 | 5 | -25 ~ +80 | -30 ~ +85 |
| Orange | 60 | 20 | 100 | 3 | -25 ~ +80 | -30 ~ +85 |

I_{FP}の条件は、duty 10%、Pulse width 1 msec. The condition of I_{FP} is duty 10%, Pulse width 1 msec

Electro-Optical Characteristics (T_a = 25°C)

| Conventional Part No. | Lighting Color | Common | I _O / seg | | I _F | V _F | | λ _p | Δλ | I _F | I _R | | |
|-----------------------|----------------|---------|----------------------|-----|----------------|----------------|-----|----------------|-----|----------------|----------------|----------------|---|
| | | | Typ | Min | | Typ | Max | | | | Max | V _R | |
| LN524YA | Amber | Anode | 600 | 200 | 200 | 10 | 2.2 | 2.8 | 590 | 30 | 20 | 10 | 5 |
| LN524YK | Amber | Cathode | 600 | 200 | 200 | 10 | 2.2 | 2.8 | 590 | 30 | 20 | 10 | 5 |
| LN524OA | Orange | Anode | 1200 | 300 | 500 | 10 | 2.1 | 2.8 | 630 | 40 | 20 | 10 | 3 |
| LN524OK | Orange | Cathode | 1200 | 300 | 500 | 10 | 2.1 | 2.8 | 630 | 40 | 20 | 10 | 3 |
| Unit | — | — | μcd | μcd | μcd | mA | V | V | nm | nm | mA | μA | V |

