

PLEASE CHECK WWW.MOLEX.COM FOR LATEST PART INFORMATION

Part Number: [1300130405](#)
Status: **Active**
Overview: [Brad Mini-Change Connectors](#)
Description: Mini-Change Receptacle, 4 Poles, Flange Mount, Female (Straight) to 16 AWG Leads, 1.83m (6.0') Length

Documents:

[Drawing \(PDF\)](#) [RoHS Certificate of Compliance \(PDF\)](#)

Agency Certification

CSA LR6837
 UL E152210

General

Product Family Industrial Receptacles
 Series [130013](#)
 IP Rating IP67
 NEMA Rating NEMA 6
 Overview [Brad Mini-Change Connectors](#)
 Product Name Mini-Change
 Type Single Ended (pigtail)
 UPC 78678843916

Physical

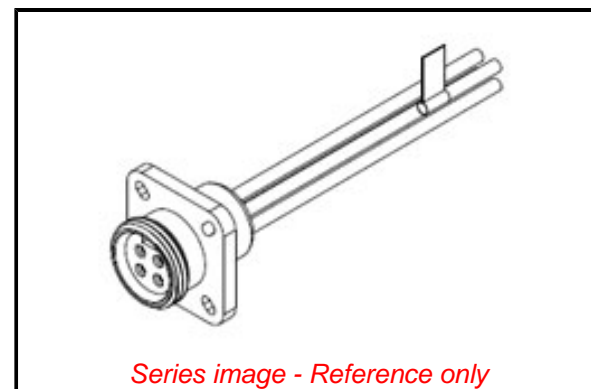
Coupling Type External Thread
 Gender Female
 Keyway Single
 Length 1.83m
 Material - Component PVC
 Mounting Thread Size N/A
 Orientation Straight
 Panel Mount With Flange
 Poles 4
 Temperature Range - Operating -20°C to +105°C
 Wire Size AWG 16
 Wire/Cable Type UL 1015

Electrical

Current - Maximum per Contact 10.0A
 Voltage - Maximum 600V

Material Info

Engineering Number 1R4G04A20F060



Series image - Reference only

EU ELV

Not Relevant

EU RoHS

Not Reviewed

REACH SVHC

Not Reviewed

Halogen-Free

Status

Not Reviewed

For more information, please visit [Contact US](#)

China ROHS

Not Reviewed

ELV

Not Relevant

RoHS Phthalates

Not Reviewed

Search Parts in this Series

[130013 Series](#)