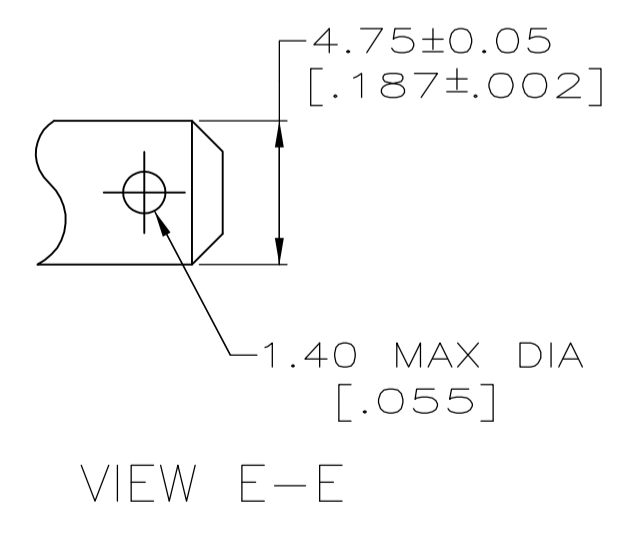
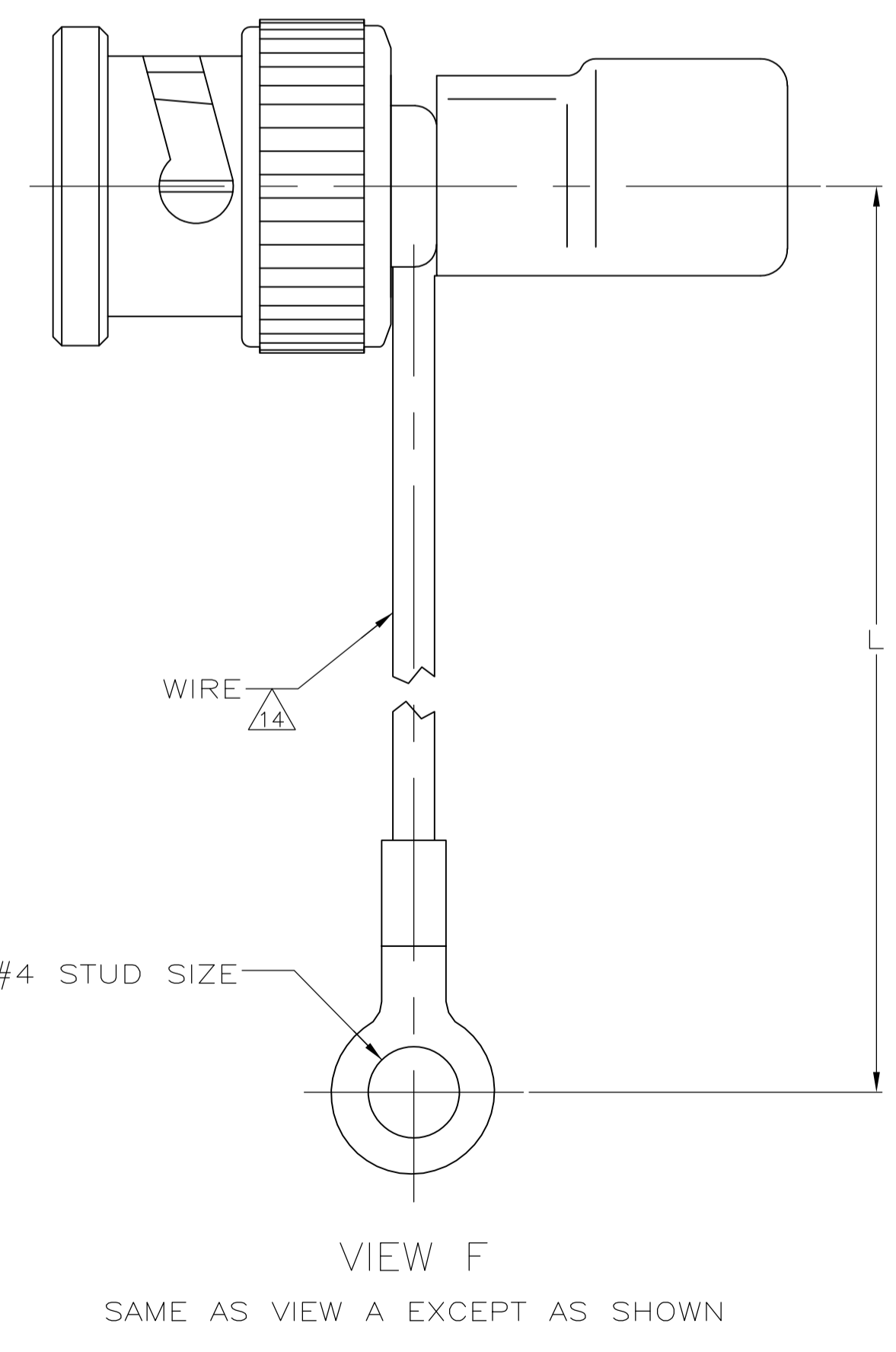
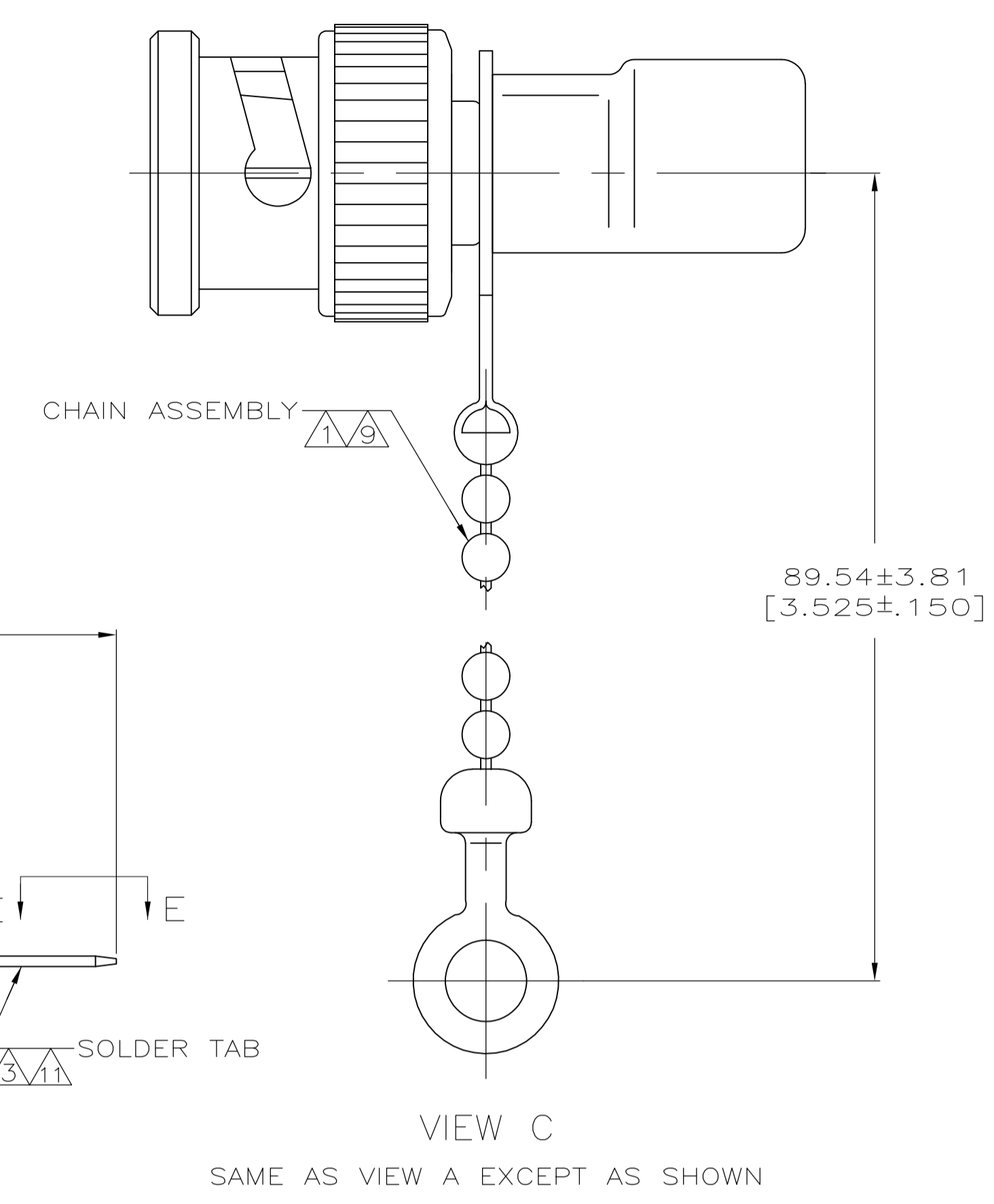
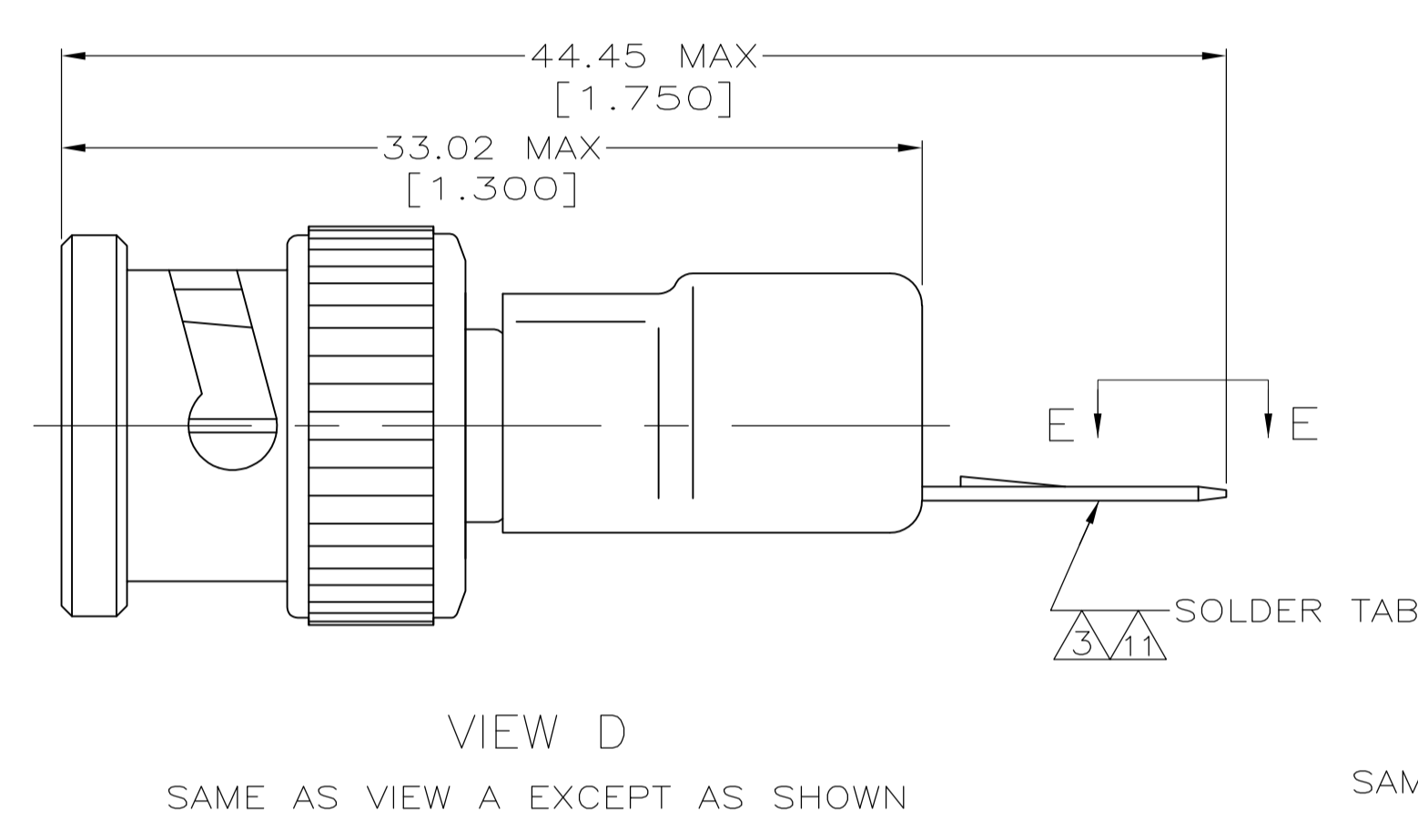
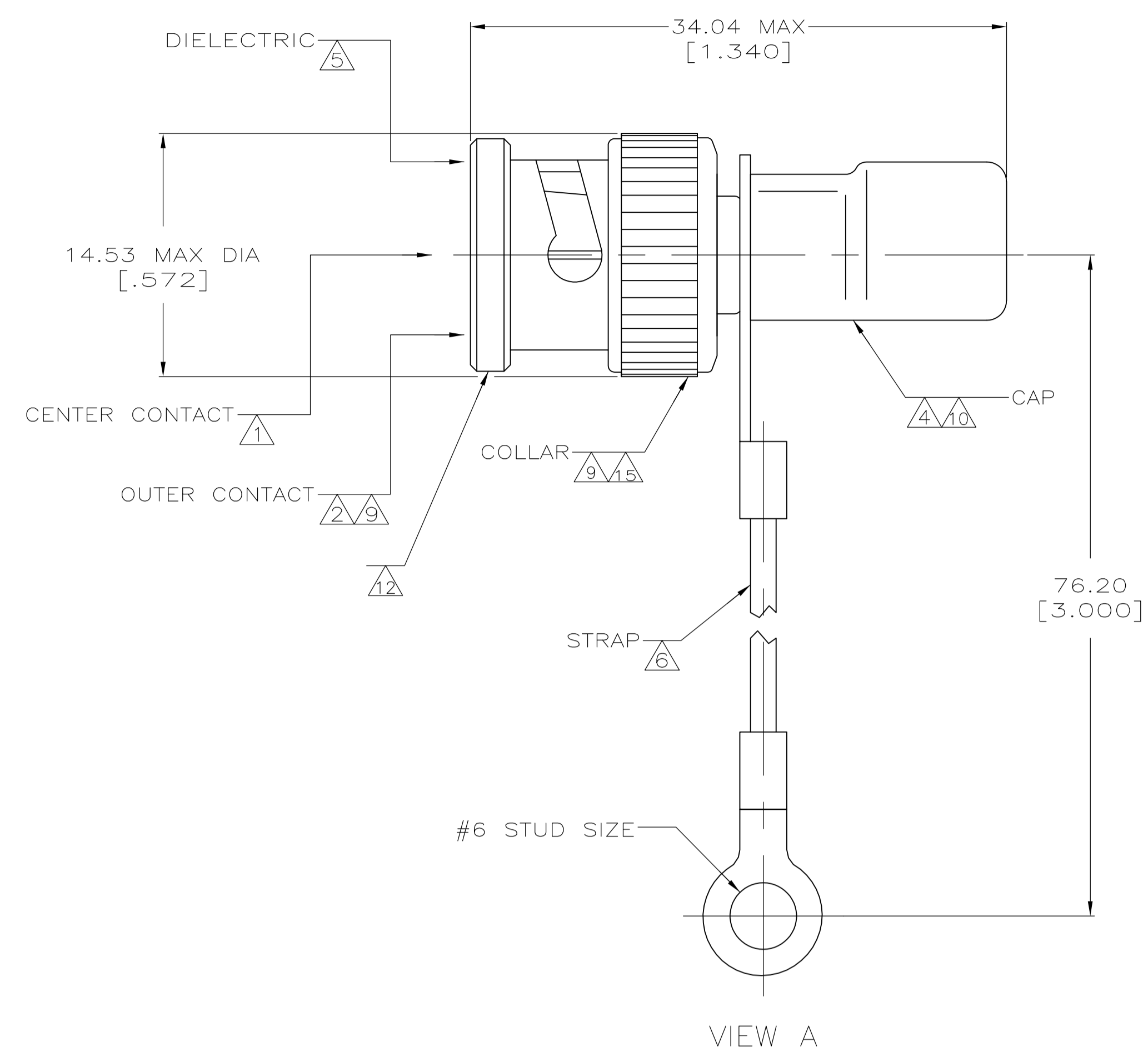


LOC		DIST		REVISIONS			
P	LTR	DESCRIPTION	DATE	DN	APVD		
AE2	REVISED PER	ECO-11-005030	11MAR11	RK	HMR		



- 1 BRASS PER QQ-B-626.
- 2 BRASS PER MIL-C-21768.
- 3 BRASS PER MIL-C-50.
- 4 COPPER PER QQ-C-576.
- 5 POLYETHYLENE PER LP-390.
- 6 POLYESTER PER MIL-T-43435, COLOR NATURAL.
- 7 GOLD PLATE PER MIL-G-45204, 0.76 μm [.000030] MINIMUM THICK.
- 8 SILVER PLATE PER QQ-S-365, 2.54 μm [.000100] MINIMUM THICK.
- 9 NICKEL PLATE PER QQ-N-290, 1.27 μm [.000050] MINIMUM THICK.
- 10 TIN PLATE PER ASTM B 545, 2.54 μm [.000100] MIN THICK.
- 11 TIN PLATE PER ASTM B 545, 3.81 μm [.000150] MINIMUM THICK.
- 12 VALUE MARKED ON CONNECTOR BODY AS SHOWN. (SEE TABLE)
- 13 SEE SEPARATE RESTRICTED CUSTOMER DRAWING WITH THIS PART NUMBER.
- 14 16 GAUGE INSULATED GROUND WIRE.
- 15 ZINC PER QQ-Z-363

OBSOLETE	1	1%	50	50Ω 1W	-		B	9-221629-1
OBSOLETE	1	1%	50	50Ω 1W	-		A	9-221629-0
OBSOLETE	-	1%	50	50Ω 1W	2999.99±25.40 [118.11±1.00]		F	2-221629-2
OBSOLETE	1	-	-	-	-		-	2-221629-1
OBSOLETE	1	-	-	-	-		-	2-221629-0
OBSOLETE	1	-	-	-	-		-	1-221629-9
OBSOLETE	1	1%	50	50Ω 1W	-		B	1-221629-8
OBSOLETE	1	1%	50	50Ω 1W	85.85±2.03 [3.380±.080]		F	1-221629-6
OBSOLETE	1	1%	50	-	-		D	1-221629-2
OBSOLETE	.5	1%	75	75Ω .5W	-		C	1-221629-1
OBSOLETE	1	1%	50	50Ω 1W	-		B	221629-9
OBSOLETE	1	1%	50	50Ω 1W	-		B	221629-8
OBSOLETE	.5	5%	100	100Ω .5W	-		B	221629-7
OBSOLETE	1	1%	93	93Ω 1W	-		B	221629-6
OBSOLETE	1	1%	75	75Ω 1W	-		B	221629-5
OBSOLETE	1	1%	50	50Ω 1W	-		B	221629-4
OBSOLETE	1	1%	93	93Ω 1W	-		A	221629-3
OBSOLETE	1	1%	75	75Ω 1W	-		A	221629-2
OBSOLETE	1	1%	50	50Ω 1W	-		A	221629-1

WATT	TOLERANCE	OHM	MARKING	L	CENTER CONTACT PLATING	VIEW	PART NUMBER
RESISTOR SPECIFICATIONS							
			12				

THIS DRAWING IS A CONTROLLED DOCUMENT.

DIMENSIONS: mm [INCHES]	TOLERANCES UNLESS OTHERWISE SPECIFIED:	DIN 9-22-90	J. LIPPERT
0 PLC ± -	1 PLC ± -	9-28-90	R. E. RUTH
2 PLC ± ± 3.18 [125]	3 PLC ± ± -	10-1-90	M. PHILLIPS
4 PLC ± ± -	ANGLES ± ± -		

MATERIAL: - FINISH: -

WEIGHT: -

APPROVED: M. PHILLIPS

DATE: 10-1-90

NAME: -

PRODUCT SPEC: -

APPLICATION SPEC: -

SIZE: A1

CAGE CODE: 00779

DRAWING NO: C=221629

RESTRICTED TO: -

CUSTOMER DRAWING

SCALE: 4:1

SHEET: 1 OF 1

REV: AE2

STE TE Connectivity

TERMINATOR, PLUG, COMMERCIAL BNC