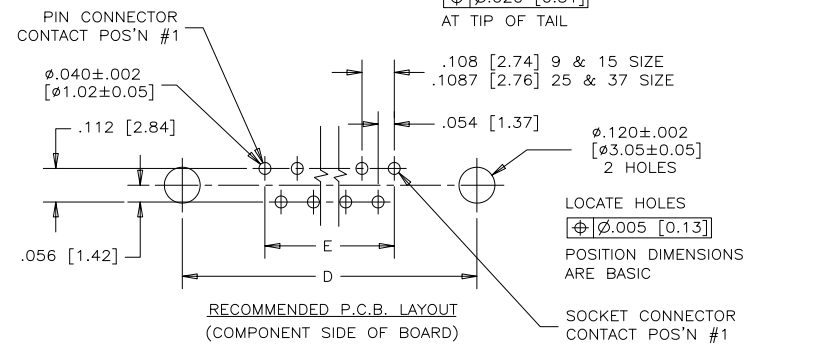
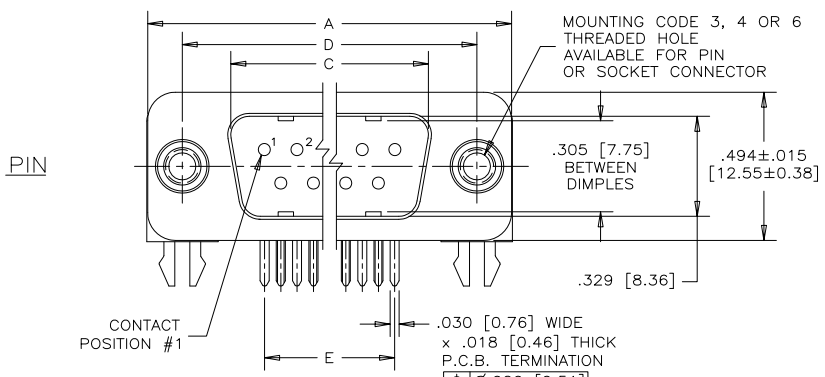
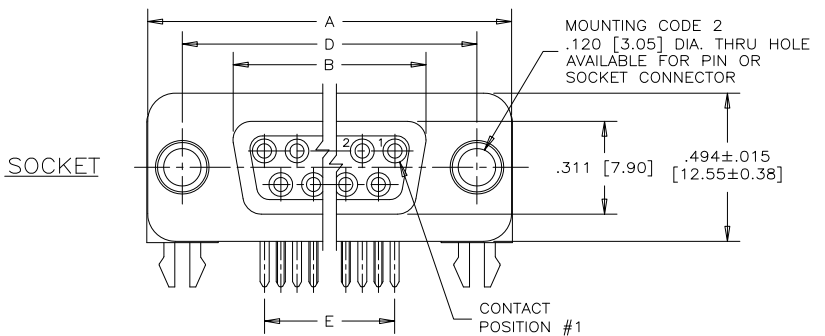
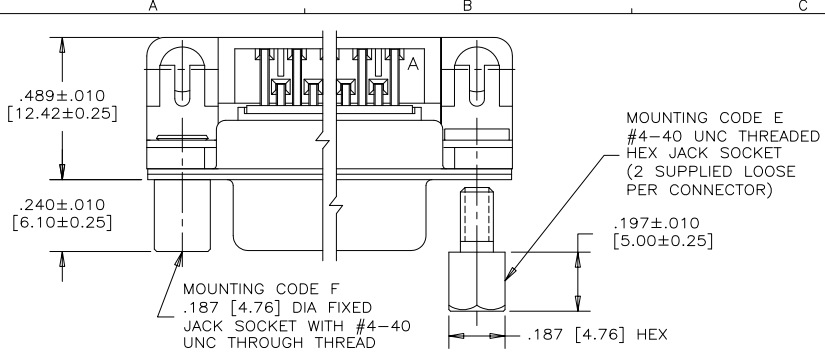
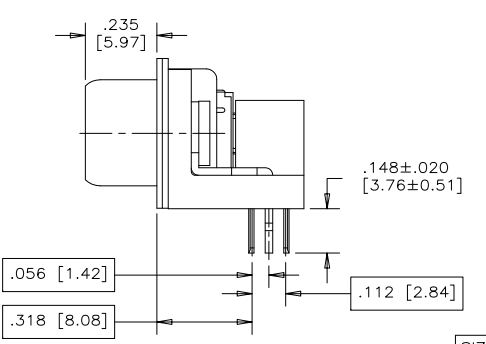
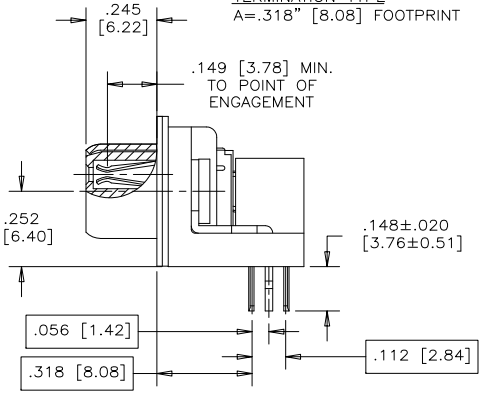


| REVISIONS | | | |
|-----------|-----------------------------|------|--------|
| REV | ECN, ERN NO. | DATE | APPRD. |
| G | PRODUCT DRAWING (EAR 14218) | TBD | K.L. |



ORDERING CODE: F C E 1 7 - E 0 9 P A - 4 4 0 G
 SERIES _____
 FCE17=FILTERED D-SUB, RoHS
 SIZE/NUMBER OF CONTACTS _____
 E09, A15, B25, OR C37
 CONNECTOR STYLE _____
 P=PIN
 S=SOCKET
 TERMINATION TYPE _____
 A=.318" [8.08] FOOTPRINT

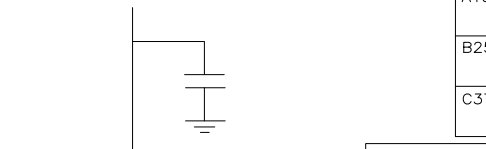
CONTACT FINISH/GOLD THICKNESS
 NO DIGIT=STANDARD 15 MICROINCHES
 [0.38 MICRONS] GOLD ON
 MATING AREA
 G=50 MICROINCHES [1.27 MICRONS]
 GOLD ON MATING AREA
 MODIFIER
 O=STANDARD
 FILTER CAPACITANCE
 D=50 pF 5=1000 pF
 B=100 pF 7=1200 pF
 O=180 pF 6=1300 pF
 T=220 pF J=1500 pF
 F=330 pF E=2200 pF
 L=380 pF 9=5600 pF
 1=470 pF 8=47000 pF
 2=680 pF N=NO FILTERS
 4=820 pF
 REFER TO AMPHENOL CATALOGUE FOR
 FILTER PERFORMANCE CHARACTERISTICS
 MOUNTING
 2=.120 [3.05] DIA THROUGH HOLE
 3=#4-40 UNC SELF-LOCKING THREAD
 4=#4-40 UNC THREAD
 6=M3 x 0.5 THREAD
 E=CODE 4 MOUNTING WITH #4-40
 UNC HEX JACK SOCKETS SUPPLIED.
 F=#4-40 UNC FIXED ROUND JACK SOCKET



NOTES:

- MATERIALS: ALL MATERIALS ARE RoHS COMPLIANT.
 - SHELL: STEEL, TIN PLATED
 - CONTACTS: PHOSPHOR BRONZE, PLATED WITH GOLD OVER 50µ" [1.27 MICRONS] MINIMUM NICKEL IN THE MATING AREA AND 100µ" [2.54 MICRONS] MINIMUM MATTE TIN ON THE TAILS.
 - INSULATOR: ENGINEERING THERMOPLASTIC, GLASS REINFORCED, UL FLAMMABILITY RATING 94V-0, COLOUR: BLACK
 - BOARDLOCK: COPPER ALLOY, TIN PLATED
 - MOUNTING HARDWARE, STEEL OR COPPER ALLOY, TIN OR NICKEL PLATED.
- CONTACT RESISTANCE: 15 MILLIOHMS MAXIMUM
- INSULATION RESISTANCE: 3000 MEGOHMS MINIMUM
- CURRENT RATING: 5 AMPS MAXIMUM
- OPERATING TEMPERATURE: -40°C TO 85°C
- TOLERANCE UNLESS INDICATED OTHERWISE: ±.005 [0.13]

CAPACITANCE SCHEMATIC FOR EACH POSITION



| SIZE | STYLE | A±.015 [0.38] | B±.005 [0.13] | C±.005 [0.13] | D±.005 [0.13] | E BSC. |
|------|--------|---------------|---------------|---------------|---------------|---------------|
| E09 | PIN | 1,213 [30.81] | ----- | .666 [16.92] | .984 [24.99] | .432 [10.97] |
| | SOCKET | | .643 [16.33] | ----- | | |
| A15 | PIN | 1,541 [39.14] | ----- | .994 [25.25] | 1,312 [33.32] | .756 [19.20] |
| | SOCKET | | .971 [24.66] | ----- | | |
| B25 | PIN | 2,088 [53.04] | ----- | 1,534 [38.96] | 1,852 [47.04] | 1,304 [33.12] |
| | SOCKET | | 1,511 [38.38] | ----- | | |
| C37 | PIN | 2,729 [69.32] | ----- | 2,182 [55.42] | 2,500 [63.50] | 1,956 [49.68] |
| | SOCKET | | 2,159 [54.84] | ----- | | |

DRAWN K. LAMBIE DATE APR08/05
 DESIGNED _____
 CHECKED _____
 I. E. APPRD. _____
 Q. A. APPRD. _____
 DWG. APPRD. _____
 ENG. REL. NO. _____
 REF. EAR #12701
 DIMENSIONS ARE IN INCHES [mm] CODE ID. NO. 03554



Amphenol Canada Corp.
 FCE17 SERIES FILTERED D-SUB CONNECTOR,
 PIN & SOCKET, RIGHT ANGLE .318 [8.08] F/P,
 PLASTIC MOUNTING BRACKET & BOARDLOCK,
 RoHS COMPLIANT
 DWG. DRAWING NO. P-FCE17-XXXXA-XX0X REV. G
 SCALE 3/1 WT. ----- SURF. ----- SHEET 1 of 1

THIS DOCUMENT CONTAINS PROPRIETARY INFORMATION AND SUCH INFORMATION
 MAY NOT BE DISCLOSED TO OTHERS FOR ANY PURPOSE OR USED FOR MANUFACTURING
 PURPOSES WITHOUT WRITTEN PERMISSION FROM AMPHENOL CANADA CORP.