

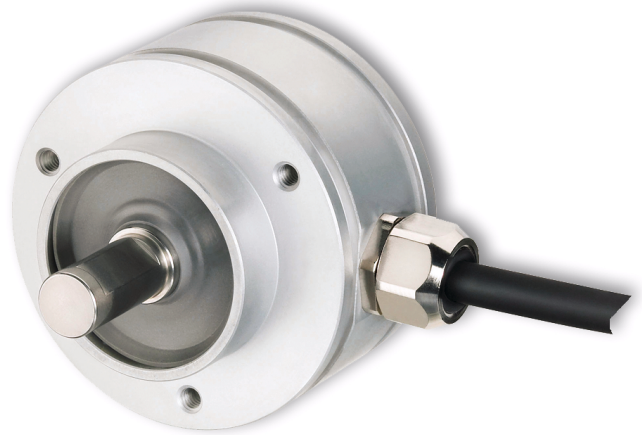
SERIES AR62/AR63

ACURO™ brand

Magnetic Absolute Encoder

Key Features

- 12 Bit Single-Turn Resolution, up to 16 Bit Multi-Turn
- Oversized Bearings for up to 3x Life of Standard Absolute Encoders
- Wide -40° to 100°C Temperature Range
- Submersible — IP69k Sealing Available
- Rated to 200g Shock, 20g Vibration for Harsh Environments
- Stainless Steel or Aluminum Housing



SPECIFICATIONS

ELECTRICAL

Supply voltage: 5VDC, 10-30VDC, or 17-30VDC (see "Ordering Information")

EMC: EN 61326 (external protective circuit required)

Resolution singleturn: 12 Bit

Resolution multiturn: 12, 13, 16 Bit

Absolute accuracy: ±0.6°

Repeatability: ±0.2°

Parametrization: Preset

MECHANICAL

Housing diameter: 58 mm

Mounting depth: 32 mm

Shaft diameter: 3/8", 10 mm

Flange: Synchro clamping or 2.5" Square flange

Protection Class (EN 60529): Housing & Shaft, IP67 or IP69k

Shaft load: axial 300 N max.; radial 300 N max.

ENVIRONMENTAL

Shaft speed (maximum): 5000 rpm

Vibration resistance: (DIN EN 60068-2-6)

200 m/s²

Shock resistance: (DIN EN 60068-2-27) 2000 m/s²

(6 ms)

Operating temperature: -40 °C to +100 °C

Connection: Cable, radial; M12 connector, radial

ELECTRICAL CONNECTIONS – BiSS / SSI

Cable Color	PIN	Signal
Yellow	6	Clock
Pink	5	Data
Green	4	Clock
Grey	8	Data
White	1	UB
Brown	2	0V
Red	3	Preset (set to 0)
Screen	Screen	Screen

ELECTRICAL CONNECTIONS – CANopen

Color cable	PIN	Signal
Yellow	6	CAN in+
Green	4	CAN in-
Pink	3	CAN out+
Grey	7	CAN out-
Bue	n.c.	n.c.
Red	n.c.	n.c.
White	1	UB
Brown	2	0 V
Screen	Screen	Screen Screen

ELECTRICAL CONNECTIONS – Analog

Cable Color	PIN	Signal
Pink	6	0 to 10 V (max. 5mA)
Blue	7	0 to 20 mA or 4 to 20 mA (current ouput)
Grey	5	AGND
Red	8	preset (set to 0)
White	1	UB
Brown	2	0 V
Yellow ¹	4	Diagnostic 1
Green ¹	3	Diagnostic 2
Screen	Screen	Screen

¹ Diagnostic signals only for service purposes. The cable wires have to be isolated.

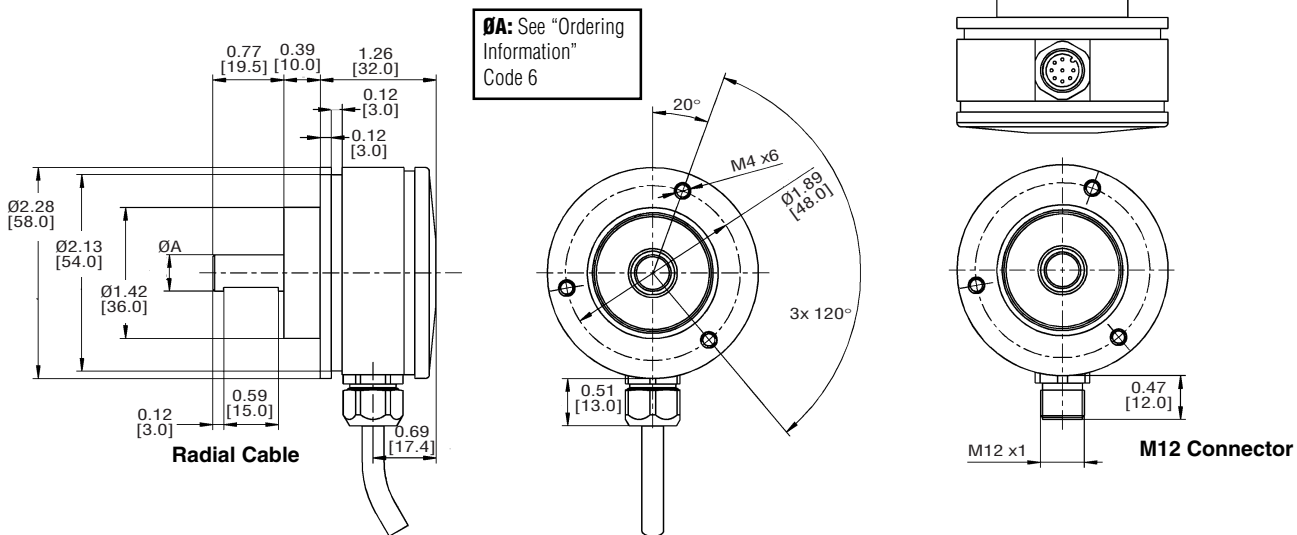
Ordering Information

To order, complete the model number with code numbers from the table below:

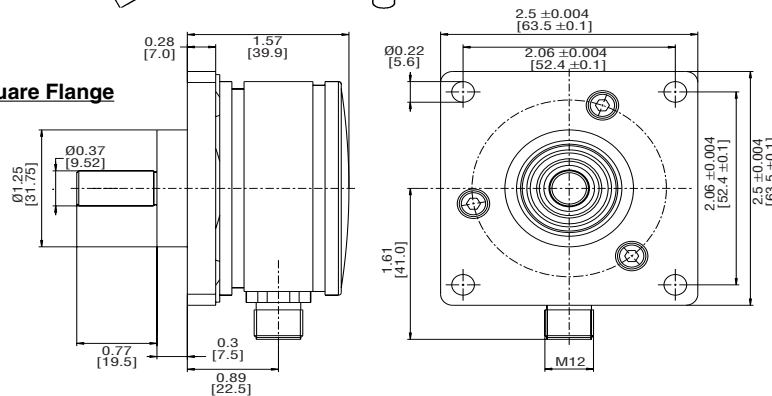
Code 1: Model	Code 2: Resolution	Code 3: Voltage	Code 4: Mounting	Code 5: Protection	Code 6: Shaft Size	Code 7: Interface	Code 8: Connection	Code 9: Cable Length
Ordering Information								
AR62	<input type="checkbox"/> <input type="checkbox"/> <input type="checkbox"/> 1 <input type="checkbox"/> <input type="checkbox"/> 2	<input type="checkbox"/>	<input type="checkbox"/>	<input type="checkbox"/>	<input type="checkbox"/>	<input type="checkbox"/> <input type="checkbox"/>	<input type="checkbox"/>	<input type="checkbox"/> <input type="checkbox"/>
AR62 Aluminum	0012 12 bit single-turn	A 5 VDC E 10-30VDC	L Synchro, Clamping Q Square Flange	7 IP67 9 IP69k	2 10mm "2" is available only when Code 4 is L 6 3/8" "6" is available only when Code 4 is Q	BI BiSS SG SSI-Gray SB SSI-Binary OL CAN Open Available only when Code 2 is 0012, 1212, or 1612 AV Analog, 0-10V A4 Analog, 4-20mA	B Radial Cable Available when Code 1 is AR62 and code 5 is 7 8 M12 radial connector, 8-pin	Blank 1.5m DO 3m FO 5m KO 10m PO 15m UO 20m VO 25m WO 30m XO 40m YO 50m
AR63 Stainless	1212 12 bit single turn, 12 bit multi-turn 1312 12 bit single turn, 13 bit multi-turn 1612 12 bit single turn, 16 bit multi-turn	"F" is available only when Code 7 is AV or A4 F 17-30VDC						

DIMENSIONS inch [mm]

Synchro Clamping



Square Flange



Satellite Locations:

North America: North Carolina, South Carolina, Connecticut, Massachusetts, New York, Canada, St. Kitts • Europe: United Kingdom, Italy, France, Germany, Spain, Slovakia
• Latin America: Brazil • Asia: China, Japan, Korea, Singapore

Headquarters: 1675 Delany Road • Gurnee, IL 60031-1282 • USA
Phone: +1 847.662.2666 • Fax: +1 847.662.6633



www.dynapar.com

Customer Service:

Tel.: +1.800.873.8731
Fax: +1.847.662.4150
custserv@dynapar.com

Technical Support

Tel.: +1.800.234.8731
Fax: +1.847.782.5277
northstar.techsupport@dynapar.com

Worldwide Brands: NorthStar™ • Acuro™ • Dynapar™ • Hengstler™ • Harowe™