



| Class | Vario | LK4 | GS2 | 9422 | 9421 | 9422 | 9423 |
|-------------------------------------|---|---|---|--|--|--|---|
| Type | Manual motor control switches | Nonfusible IEC style disconnect switches | Fusible IEC style disconnect switches | NEMA style fused or nonfusible disconnect switches | Circuit breaker operating mechanisms | Circuit breaker operating mechanisms | Door closing mechanisms |
| UL Rating | UL508 | UL98 | UL98 | UL98 | — | — | — |
| Handle Type | Rotary | Rotary | Rotary | Flange Adjustable rod or cable mechanism | Rotary | Flange Adjustable rod or cable mechanism | Rotary, works in conjunction with 9422 handle mechanisms |
| Mounting | Door or panel | — | Flange with cable mechanism panel | Panel or bracket mount | Panel | Panel | — |
| Load Voltage (maximum) | 600 Vac | 600 Vac | 600 Vac | 600 Vac | 600 Vac | 600 Vac | — |
| Current Ratings | 10–115 | 30–1200 | 30–800 | 30–400 | Circuit breaker frame sizes 100–1200 | Circuit breaker frame sizes 100–1200 | — |
| Horsepower Ratings (maximum) | 2–60 | 7.5–500 | 7.5–500 | 7.5–350 | — | — | — |
| Enclosure Type | Metallic: NEMA Type 1, 12, 4, 4X Plastic: IP55, NEMA Type 4X | Handle ratings: NEMA Type 1, 3R, 4, 4X, 12 | Handle ratings: NEMA Type 1, 3R, 4, 4X, 12 | Handle ratings: NEMA Type 1, 3R, 4, 4X, 12 | Handle ratings: NEMA Type 1, 3R, 4, 4X, 12 | Handle ratings: NEMA Type 1, 3R, 4, 4X, 12 | Handle ratings: NEMA Type 4 and 12 sheet steel or stainless |
| Accessories | Power poles and auxiliary contacts | Auxiliary contacts and power lugs | Auxiliary contacts and power lugs | Auxiliary contacts | Auxiliary contacts | Auxiliary contacts | Right or left-hand operation |
| Approvals | UL File E164864 NLRV CSA File LR 81630 Class 3211 05 | UL File E191098 WP2X / WP2X7 CSA 703149 Class 4652 04 | UL File E191098 WP2X / WP2X7 CSA 703149 Class 4652 04 | UL File E52639 WHTY2 CSA LR44199 Class 4652-04 | UL File E62922 DIHS2 CSA LR44199 Class 3211 07 | UL File E62922 DIHS2 CSA LR44199 Class 3211 07 | — |
| Page | 8-3 | 8-8 | 8-9 | 8-15 | 8-19 | 8-21 | 8-25 |

Example of the parts to order to build a complete GS or LK switch:

Choose a Switch

+

Shaft

+

Handle Assembly

+

Lugs if needed



600 A, LK4SU3N



Shaft 320 mm, GS2AE6



Black Handle, GS2AH150



Lugs Kit, GS1AW503

Example:

LK4SU3N (600 A nonfusible switch, use 15x12 shaft) + GS2AE6 (320 mm Type S shaft) + GS2AH150 (black/ black, lockable)

To add auxiliary contacts:

For front-mounted contacts order LK4AD30N (front-mounted auxiliary contact holder) + GS2AM110.



30-60 A Compact



100-400 A



GS2AH130



GS2AH150



GS2AH170

Table 8.26: LK Nonfusible IEC Style Disconnect Switches

| Pole | Rating (A) | Catalog Number | \$ Price | Maximum Horsepower Rating | | | | Short Circuit Current Rating 600 Vac | |
|------|------------|----------------|----------|---------------------------|-------|-------|---------|--------------------------------------|---------|
| | | | | 240 V | 480 V | 600 V | 250 Vdc | Fuse | SCCR kA |
| | | | 218.00 | | | | — | J | 100 |
| 3 | 60 | LK4GU3CN | 263.00 | | | 50 | — | J | 100 |
| 3 | 100 | LK4JU3N | | 30 | 75 | 100 | 15 | J | 200 |
| 3 | 200 | LK4MU3N | | 75 | 150 | 200 | 15 | J | 200 |
| 3 | 400 | LK4OU3N | 1910.00 | 125 | 250 | 350 | 50 | J | 200 |
| 3 | 600 | LK4SU3N | 2873.00 | | | | | | |
| | | LK4TU3N | | 200 | 500 | 500 | — | L | 100 |
| 3 | 1000 | LK4U3N | | 200 | 500 | 500 | — | L | 100 |
| 3 | 1200 | LK4WU3N | | 200 | 500 | 500 | — | L | 100 |

Table 8.27: Handles and Shafts for LK Switches

| Rating (A) | Handle | | | | Shaft: 12.8/320 in./mm | | Shaft: 15.7/400 in./mm | | Shaft Guide | |
|------------|----------------|-----------|------------|----------|------------------------|----------|------------------------|----------|----------------|----------|
| | Catalog Number | Type | Color | \$ Price | Catalog Number | \$ Price | Catalog Number | \$ Price | Catalog Number | \$ Price |
| | LK4AH110CN | 1, 3R, 12 | Black | | | | | | | |
| 30-60 | LK4AH120CN | 1, 3R, 12 | Red/Yellow | | LK4AE12CN | | — | — | LK4AEAH12CN | 15.50 |
| 30-60 | LK4AH410CN | 4, 4X | Black | | | | | | | |
| 30-60 | LK4AH420CN | 4, 4X | Red/Yellow | | | | | | | |
| 100-400 | GS2AH130 | 1, 3R, 12 | Black | | | | | | | |
| 100-400 | GS2AH140 | 1, 3R, 12 | Red/Yellow | | | | | | | |
| 100-400 | GS2AH430 | 4, 4X | Black | | GS2AE2 | | GS2AE21 | | | |
| 100-400 | GS2AH440 | 4, 4X | Red/Yellow | | | | | | | |
| 600 | GS2AH150 | 4, 4X | Black | | | | | | | |
| 600 | GS2AH160 | 4, 4X | Red/Yellow | | | | | | | |
| 800-1200 | GS2AH170 | 4, 4X | Black | | GS2AE6 | | GS2AE61 | | | |
| 800-1200 | GS2AH180 | 4, 4X | Red/Yellow | | | | | | | |

▲ Required on shafts for LK4DU3CN and LK4GU3CN switches.

Auxiliary Contacts for LK Switches

| Switch Amperes | Catalog Number | Description | \$ Price |
|----------------|----------------|-------------------------------|----------|
| | | Aux Contact 1 N.O. and 1 N.C. | |
| 30-60 | MDSAN20 | Aux Contact 2 N.O. and 2 N.C. | |
| 100-400 | LK4AD10N | Aux Contact 1 N.O. and 1 N.C. | |
| 100-400 | LK4AD20N | Aux Contact 2 N.O. and 2 N.C. | |
| 600-1200 | LK4AD30N | Aux Contact Holder | |
| 600-1200 | GS2AM110 | Aux Contact 1 N.O. | |
| 600-1200 | GS2AM101 | Aux Contact 1 N.C. | |

| Switch Amperes | Catalog Number | Description | \$ Price |
|----------------|----------------|--------------------------------------|----------|
| 30-60 | LK4AP3CN | Shroud Top and Bottom, 3-Pole | |
| 100-200 | LK4AP33TN | Shroud Top LK4, 3-Pole, 100/200 A | |
| 100-200 | LK4AP33BN | Shroud Bottom LK4, 3-Pole, 100/200 A | |
| 400 | LK4AP53TN | Shroud Top LK4, 3-Pole, 400 A | |
| 400 | LK4AP53BN | Shroud Bottom LK4, 3-Pole, 400 A | |
| 600 | | | |

600-1200 A standard with top shroud.

New!

Table 8.30: GS Fusible IEC Style Disconnect Switches



GS2GU3N

| Pole | Rating (A) | Catalog Number | \$ Price | Maximum Horsepower Rating | | | | Short Circuit Current Rating 600 Vac | |
|------|------------|----------------|----------|---------------------------|-------|-------|---------|--------------------------------------|---------|
| | | | | 240 V | 480 V | 600 V | 250 Vdc | Fuse | SCCR kA |
| 3 | 30 | GS1DDU3 | 237.00 | 7.5 | 15 | 20 | 5 | CC | 100 |
| 3 | 30 | GS1DU3 | 260.00 | 7.5 | 15 | 20 | 5 | J | 100 |
| 3 | 60 | GS2GU3N | 336.00 | 15 | 30 | 50 | 10 | J | 100 |
| 3 | 100 | GS2JU3N | 536.00 | 30 | 60 | 75 | 20 | J | 200 |
| 3 | 200 | GS2MU3N | 1181.00 | 60 | 125 | 150 | 40 | J | 200 |
| 3 | 400 | GS2QU3N | 2252.00 | 125 | 250 | 350 | 50 | J | 200 |
| 3 | 600 | GS2SU3 | 3378.00 | 200 | 500 | 500 | — | J | 200 |
| 3 | 800 | GS2TU3 | 5061.00 | 200 | 500 | 500 | — | J | 200 |

Table 8.31: Handles and Shafts for GS Switches



GS2AH110



GS2AH150

GS2AH130

| Rating (A) | Handle | | | | Shaft: 12.6 in. (320 mm) | | Shaft: 15.7 in. (400 mm) | | Shaft Guide | |
|------------|-------------|-----------|------------|----------|--------------------------|----------|--------------------------|----------|-------------|----------|
| | Catalog No. | Type | Color | \$ Price | Catalog No. | \$ Price | Catalog No. | \$ Price | Catalog No. | \$ Price |
| 30-60 | GS2AH110 | 1, 3R, 12 | Black | 62.00 | GS2AE8 | 18.60 | GS2AE81 | 22.30 | LKN4AEA12C | 15.50 |
| 30-60 | GS2AH120 | 1, 3R, 12 | Red/Yellow | 62.00 | | | | | | |
| 30-60 | GS2AH410 | 4, 4X | Black | 70.00 | | | | | | |
| 30-60 | GS2AH420 | 4, 4X | Red/Yellow | 70.00 | GS2AE2 | 20.30 | GS2AE21 | 25.00 | — | — |
| 100-400 | GS2AH130 | 1, 3R, 12 | Black | 70.00 | | | | | | |
| 100-400 | GS2AH140 | 1, 3R, 12 | Red/Yellow | 70.00 | | | | | | |
| 100-400 | GS2AH130 | 4, 4X | Black | 78.00 | GS2AE5 | 32.60 | GS2AE51 | 40.40 | — | — |
| 100-400 | GS2AH440 | 4, 4X | Red/Yellow | 78.00 | | | | | | |
| 600-800 | GS2AH150 | 4, 4X | Black | 263.00 | | | | | | |
| 600-800 | GS2AH160 | 4, 4X | Red/Yellow | 263.00 | | | | | | |

Table 8.32: Auxiliary Contacts for GS Switches▲

| Switch Amperes | Catalog Number | Description | \$ Price |
|----------------|----------------|--------------------|----------|
| 30-800 | GS2AM110 | Aux Contact 1 N.O. | 14.70 |
| 30-800 | GS2AM101 | Aux Contact 1 N.C. | 14.70 |
| 30 | GS1AD10 | Aux Contact Holder | 46.70 |

▲ GS1DU3 and GS1DDU3 switches allow up to 4 auxiliary contacts without adding contact holder GS1AD10. For more than 4 contacts, GS1AD10 is required.



Auxiliary Contacts
GS1AD10 + GS2AM110

Table 8.33: Flange Handle Cable Operator Kits▲

| Catalog Number | Description | \$ Price |
|----------------|--|----------|
| GS2AH36F | Flange Handle and 36 in. Cable Operator Kit | 417.00 |
| GS2AH60F | Flange Handle and 60 in. Cable Operator Kit | 432.00 |
| GS2AH120F | Flange Handle and 120 in. Cable Operator Kit | 476.00 |

▲ Compatible with 60 through 200 Amp switches.



Flange Handle
Cable Operator Kit

Table 8.34: Shorting Links

| For use on | Shorting Links per Kit | Catalog No. | \$ Price |
|----------------|------------------------|-------------|----------|
| GS2, 60 A | 3 | GS1AU203 | 29.60 |
| GS2, 100 A | 3 | GS1AU303 | 41.90 |
| GS2, 200 A | 3 | GS1AU403 | 62.10 |
| GS2, 400 A | 3 | GS1AU503 | 93.00 |
| GS2, 600-800 A | 3 | GS1AU803 | 156.00 |



Shorting Links

Table 8.35: Terminal Shrouds for GS Switches, Line or Load▲

| Switch Amperes | Catalog Number | Description | \$ Price |
|----------------|----------------|------------------------|----------|
| 30-100 | — | Standard on product | — |
| 200 | GS2AP43 | GS2, 3-Pole, 200 A | 101.00 |
| 400 | GS2AP53 | GS2, 3-Pole, 400 A | 101.00 |
| 600-800 | GS2AP73 | GS2, 3-Pole, 600-800 A | 140.00 |

▲ Order one terminal shroud per side. For example, order one terminal shroud for either the line side or load side; order two terminal shrouds for both the line side and load side.

Accessories



Terminal Lugs

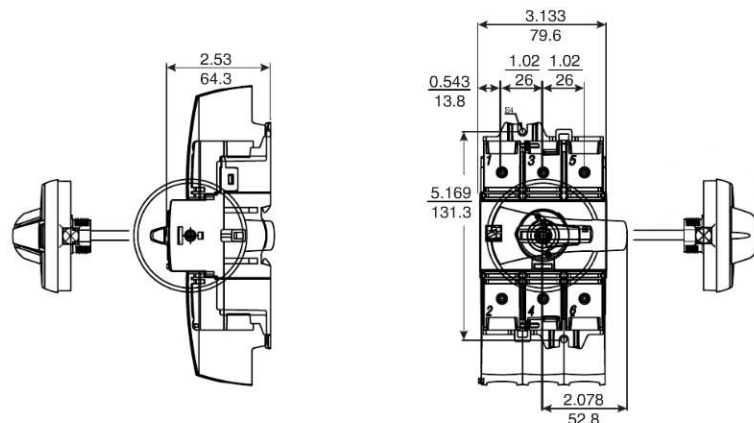
Table 8.36: Terminal Lugs

| For Use On | Rating | No. of Wires per Lug | No. of Lugs per Terminal | Lug Size (AWG) | Wire Type | Lugs per Kit | Lug Kit Catalog Number |
|------------|--------|----------------------|--------------------------|-----------------|-----------|--------------|------------------------|
| LK4DU3CN | 30 | 1 | 1 | #12-2/0 | Cu | — | Standard |
| LK4GU3CN | 60 | 1 | 1 | #12-2/0 | Cu | — | Standard |
| LK4JU3N | 100 | 1 | 1 | 6-300 kcmil | Cu/Al | 6 | GS1AW403 |
| LK4MU3N | 200 | 1 | 1 | 6-300 kcmil | Cu/Al | 6 | GS1AW403 |
| LK4QU3N | 400 | 1 | 1 | 600MCM | Cu/Al | 6 | GS1AW603 |
| LK4SU3N | 600 | 2 | 1 | 2 x 350MCM | Cu/Al | 6 | GS1AW606 |
| LK4TU3N | 800 | 2 | 2 | 2 x 2-600 kcmil | Cu/Al | 6 | GS1AW503 |
| LK4UU3N | 1000 | 2 | 2 | 2 x 2-600 kcmil | Cu/Al | 12 | GS1AW903 |
| LK4WU3N | 1200 | 2 | 2 | 2 x 2-600 kcmil | Cu/Al | 12 | GS1AW903 |
| GS1DDU3 | 30 | 1 | 1 | #14-#10 | Cu | — | Standard |
| GS1DU3 | 30 | 1 | 1 | #14-#10 | Cu | — | Standard |
| GS2GU3N | 60 | 1 | 1 | #10-#6 | Cu | — | Standard |
| GS2JU3N | 100 | 1 | 1 | #12-#1 | Cu | — | Standard |
| GS2MU3N | 200 | 1 | 1 | 6-300 kcmil | Cu/Al | 6 | GS1AW403 |
| GS2QU3N | 400 | 1 | 1 | 600MCM | Cu/Al | 6 | GS1AW603 |
| GS2SU3 | 600 | 2 | 1 | 2 x 350MCM | Cu/Al | 6 | GS1AW606 |
| GS2TU3 | 800 | 2 | 1 | 2 x 2-600 kcmil | Cu/Al | 6 | GS1AW503 |

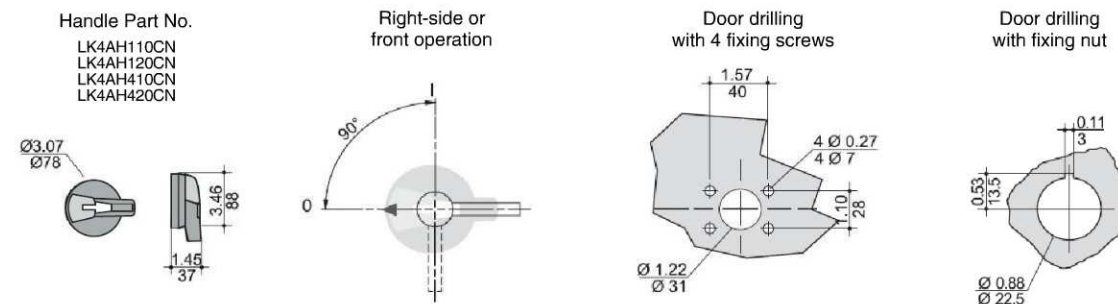
Table 8.37: Power Distribution Lugs

| For Use On | Rating | No. of Wires per Lug | Lug Size (AWG) | Wire Type | Lugs per Kit | Lug Kit Catalog Number |
|------------|--------|----------------------|----------------|-----------|--------------|------------------------|
| GS2JU3N | 100 | 6 | #14-#6 | Cu | 3 | GS1AW306 |
| GS2MU3N | 200 | 12 | #14-#4 | Cu | 3 | GS1AW406 |
| GS2QU3N | 400 | 6 | #12-2/0 | Cu | 3 | GS1AW506 |

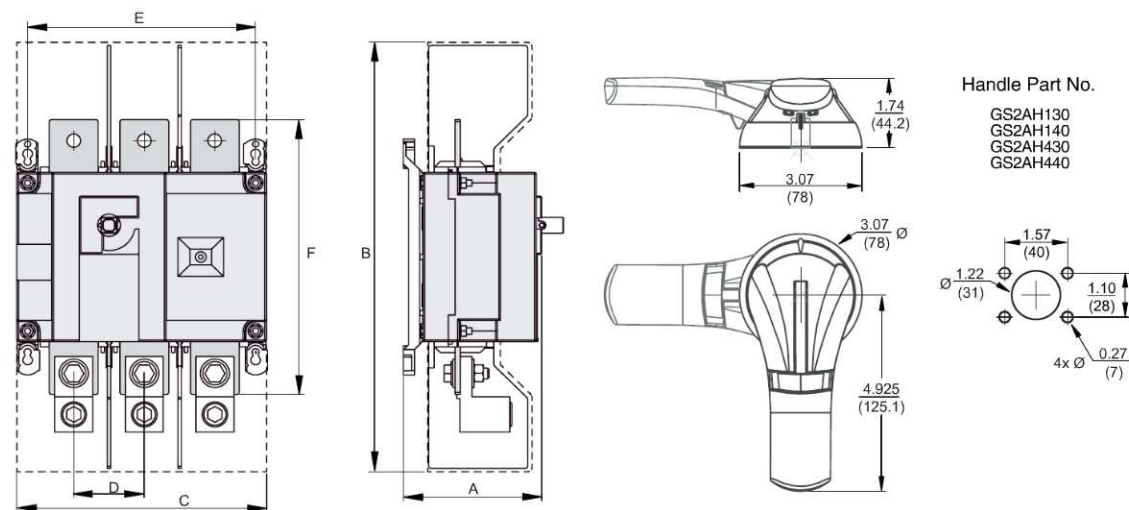
LK4DU3CN and LK4GU3CN, 30–60 A Compact Nonfusible Disconnect Switches



Handle for 30–60 A Compact Nonfusible Disconnect Switches



LK4JU3N / LK4MU3N / LK4QU3N, 100–400 A Nonfusible Disconnect Switches—Dimensions

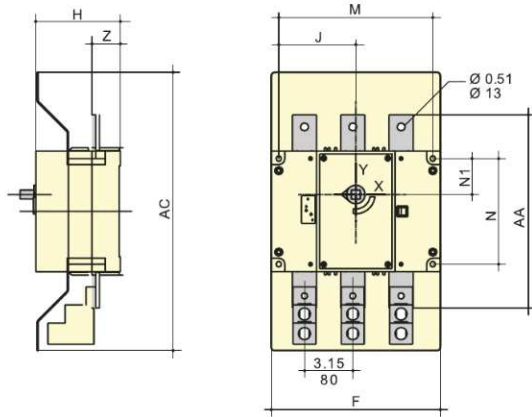


Handle Part No.
GS2AH130
GS2AH140
GS2AH430
GS2AH440

| Rating (A) | Dimensions = in. (mm) | | | | | |
|------------|-----------------------|------------|-------------|-----------|------------|------------|
| | A | B | C | D | E | F |
| 100–200 | 3.72 (94.6) | 10.1 (256) | 7.09 (1.80) | 1.97 (50) | 6.3 (160) | 6.3 (160) |
| 400 | 4.92 (128) | 16 (406) | 9.05 (230) | 2.56 (65) | 8.26 (210) | 10.2 (260) |

Dimensions: $\frac{\text{in.}}{\text{mm}}$

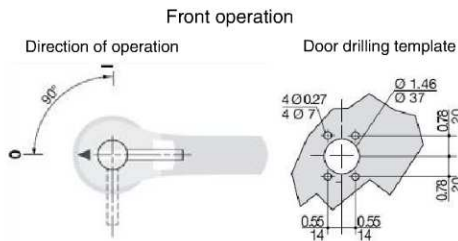
LK4SU3N, 600 A Nonfusible Disconnect Switches—Dimensions



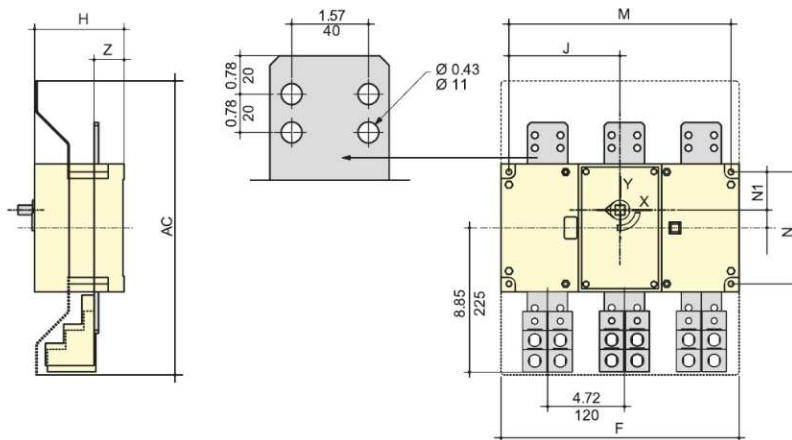
| Rating (A) | Dimensions = in. (mm) | | | | | | | | |
|------------|-----------------------|----------|-----------|-------------|-------------|------------|-------------|------------|-----------|
| | AC | F | H | J | M | N | N1 | AA | Z |
| 600 | 18.12 (460) | 11 (280) | 5.5 (140) | 5.0 (127.5) | 10.03 (255) | 6.88 (175) | 2.34 (59.5) | 12.6 (320) | 1.85 (47) |

Handle for 600 A and 800 A Fusible Disconnect Switches

Handle Part No.
GS2AH150
GS2AH160



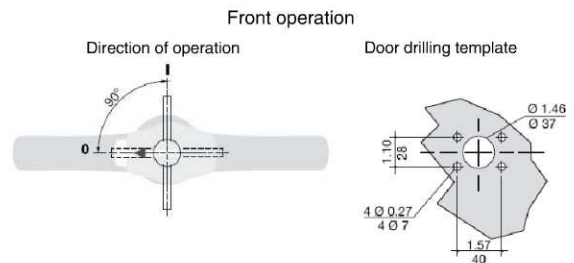
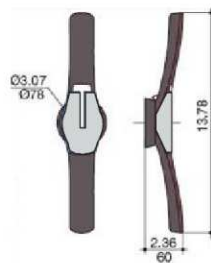
LK4TU3N / LK4UU3N / LK4WU3N, 800–1200 A Nonfusible Disconnect Switches—Dimensions



| Rating (A) | Dimensions = in. (mm) | | | | | | | |
|------------|-----------------------|-------------|-----------|--------------|-------------|------------|-------------|-----------|
| | AC | F | H | J | M | N | N1 | Z |
| 800–1200 | 18.12 (460) | 14.64 (372) | 5.5 (140) | 6.83 (173.5) | 13.66 (347) | 6.88 (175) | 2.34 (59.5) | 1.85 (47) |

Handle for 800–1200 A Fusible Disconnect Switches

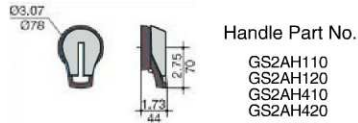
Handle Part No.
GS2AH170
GS2AH180



Dimensions: $\frac{\text{in.}}{\text{mm}}$

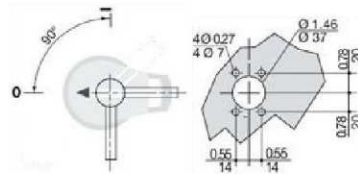
www.schneider-electric.us

Handle for 30 A and 60 A Fusible Disconnect Switches



Handle Part No.

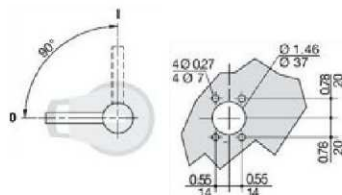
- GS2AH110
- GS2AH120
- GS2AH410
- GS2AH420



Front operation

Direction of operation

Door drilling template

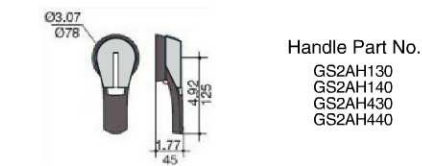


Side operation

Direction of operation

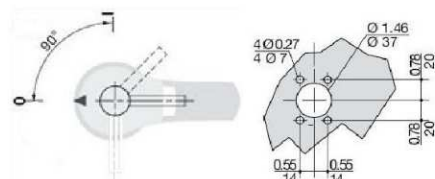
Door drilling template

Handle for 100 A, 200 A, and 400 A Fusible Disconnect Switches



Handle Part No.

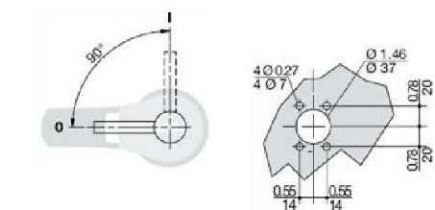
- GS2AH130
- GS2AH140
- GS2AH430
- GS2AH440



Front operation

Direction of operation

Door drilling template

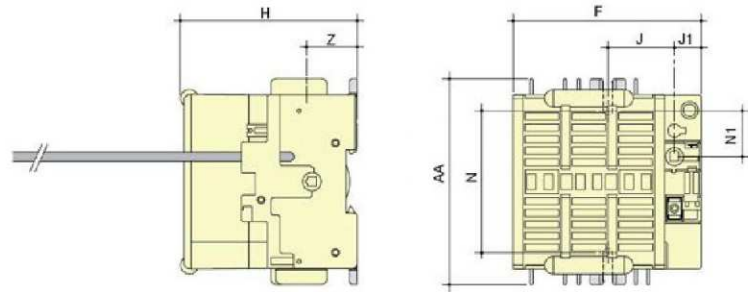


Side operation

Direction of operation

Door drilling template

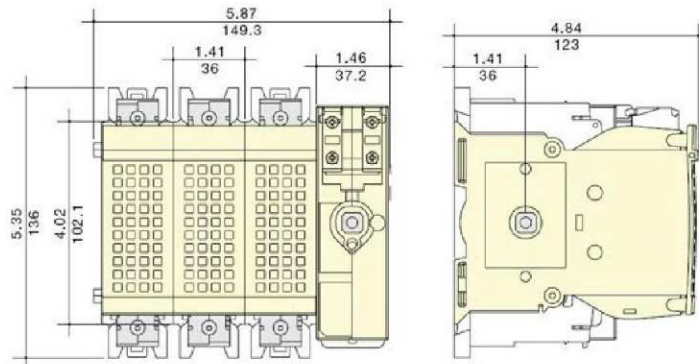
GS1DDU3, 30 A Fusible Disconnect Switches, Class CC Fuses and GS1DU3, 30 A Fusible Disconnect Switches, Class J Fuses—Dimensions



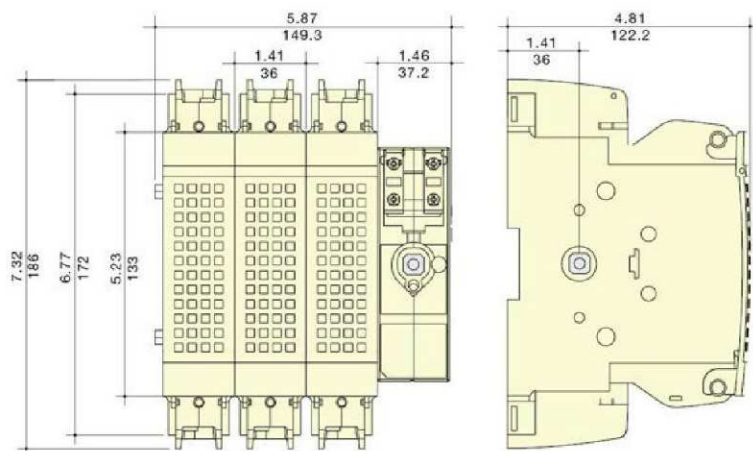
Example: GS1DU3

| Rating (A) | Dimensions = in. (mm) | | | | | | | |
|------------|-----------------------|-------------|-------------|-----------|-------------|----------|------------|-------------|
| | F | H | J | J1 | N | N1 | AA | Z |
| 30 / CC | 3.78 (96) | 3.28 (83.5) | 1.47 (37.5) | 0.59 (15) | 3.13 (79.5) | 1 (25.5) | 4.56 (116) | 1.12 (28.5) |
| 30 / J | 4.13 (105) | 3.89 (99) | 1.47 (37.5) | 0.59 (15) | 3.13 (79.5) | 1 (25.5) | 4.56 (116) | 1.12 (28.5) |

GS2GU3N, 60 A Fusible Disconnect Switches, Class J Fuses

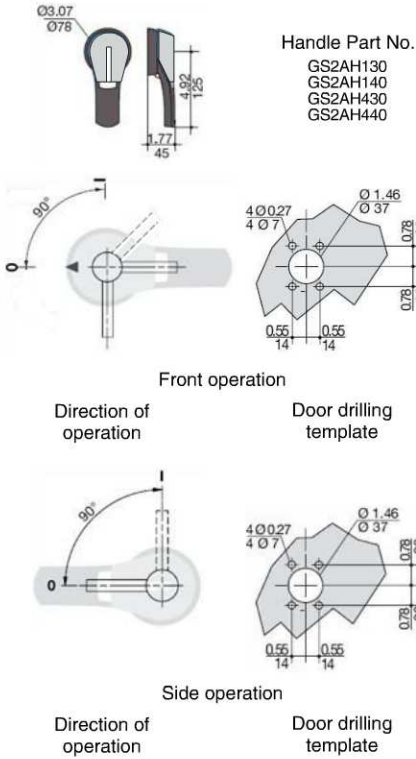


GS2JU3N, 100 A Fusible Disconnect Switches, Class J Fuses

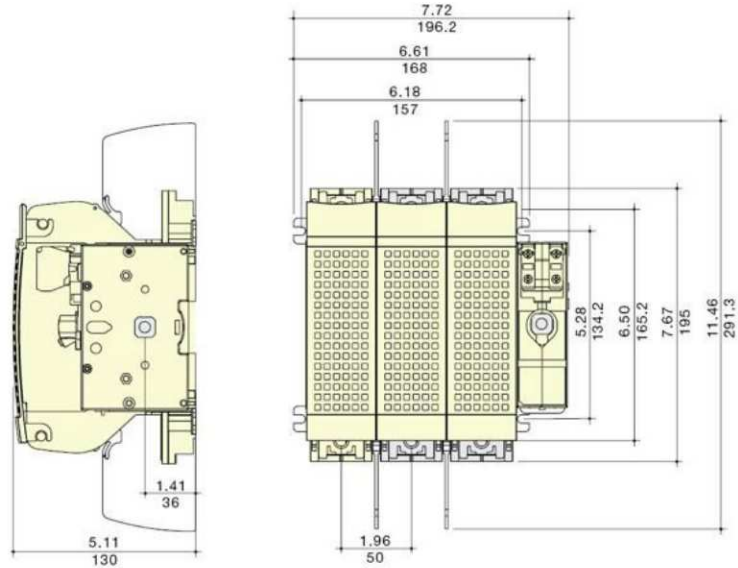


Dimensions: $\frac{\text{in.}}{\text{mm}}$

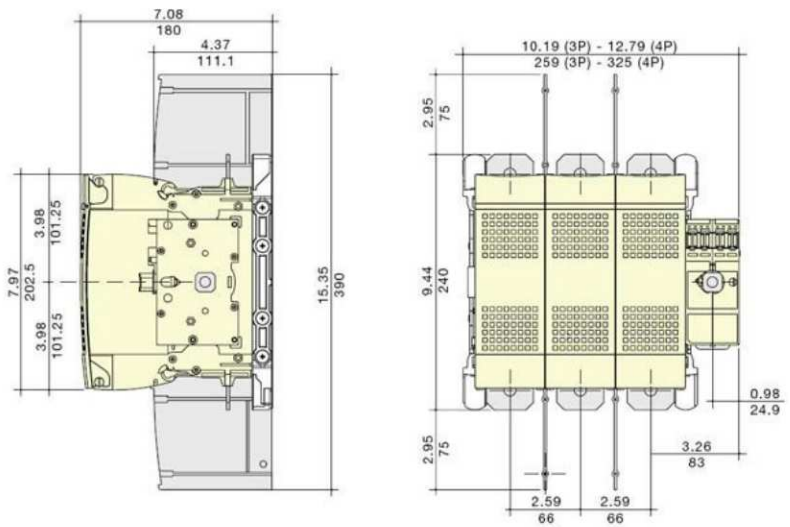
**Handle for 100 A, 200 A, and 400 A
Fusible Disconnect Switches**



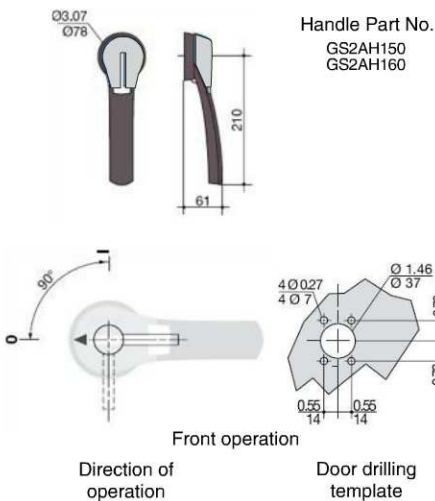
GS2MU3N, 200 A Fusible Disconnect Switches, Class J Fuses



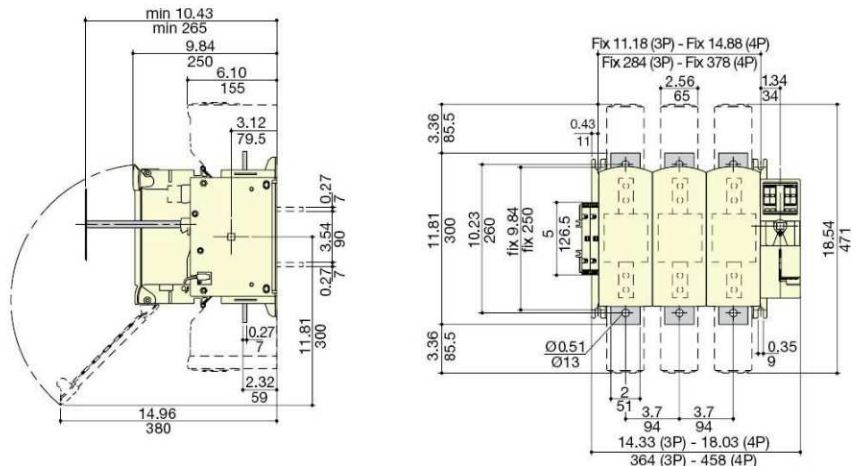
GS2QU3N, 400 A Fusible Disconnect Switches, Class J Fuses



**Handle for 600 A and 800 A Fusible
Disconnect Switches**



**GS2SU3, 600 A Fusible Disconnect Switches, Class J Fuses
GS2TU3, 800 A Fusible Disconnect Switches, Class J Fuses**



Dimensions: $\frac{\text{in.}}{\text{mm}}$