


Ordering number C12726_STRADA-SQ-T-DWC

Family	Strada-SQ	FWHM	Asym degrees
Type	Lens	Efficiency	94 %
LED	LUXEON M	cd/Im	0.450
Color	Clear	Gerber File	Available
Diameter	25 x 25 mm		
Height	8 mm		
Style	Square		
Optic Material	PMMA		
Holder Material	-		
Fastening	Screw, pin, glue		
Status	Ready		

Ordering number CA12889_STRADA-SQ-T-DWC

Family	Strada-SQ	FWHM	Asym degrees
Type	Assembly	Efficiency	94 %
LED	LUXEON M	cd/Im	0.450
Color	Clear	Gerber File	Available
Diameter	25 x 25 mm		
Height	8.15 mm		
Style	Square		
Optic Material	PMMA		
Holder Material	-		
Fastening	Screw, pin, tape		
Status	Ready		

NOTE: The typical divergence will be changed by different color, chip size and chip position tolerance. The typical total divergence is the full angle measured where the luminous intensity is half of the peak value.



PRODUCT DATASHEET Strada-SQ series

last update 7/12/2012

PHILIPS
LUMILEDS

GENERAL INFORMATION

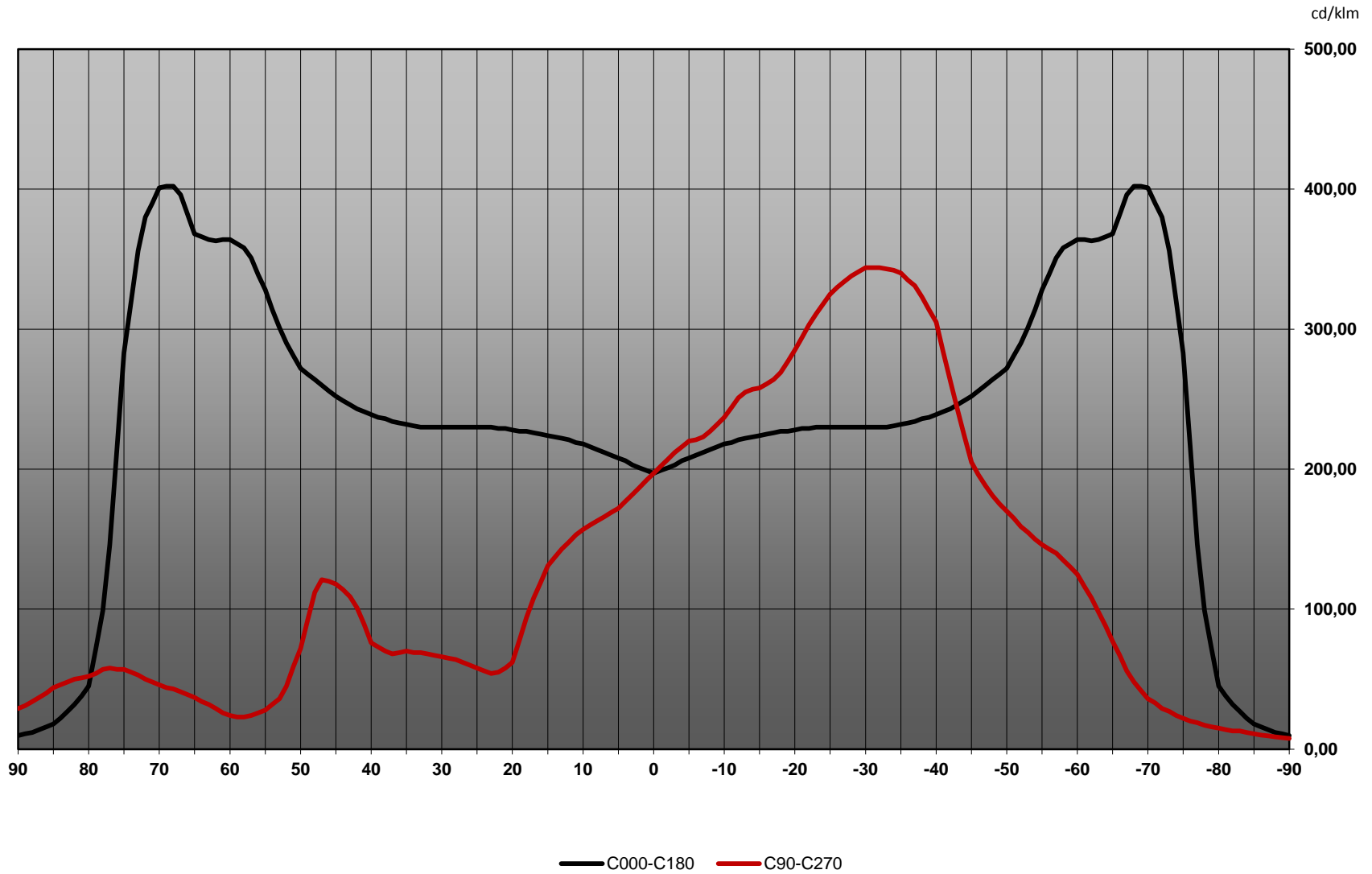
- Product series especially designed & optimized for LUXEON M series of LEDs.
- Special care taken to make light distribution as uniform as possible.
- Lens material optical grade PMMA with high UV and temperature resistance. Allows use of high current and temperature conditions.

Please find more information about used material from below:

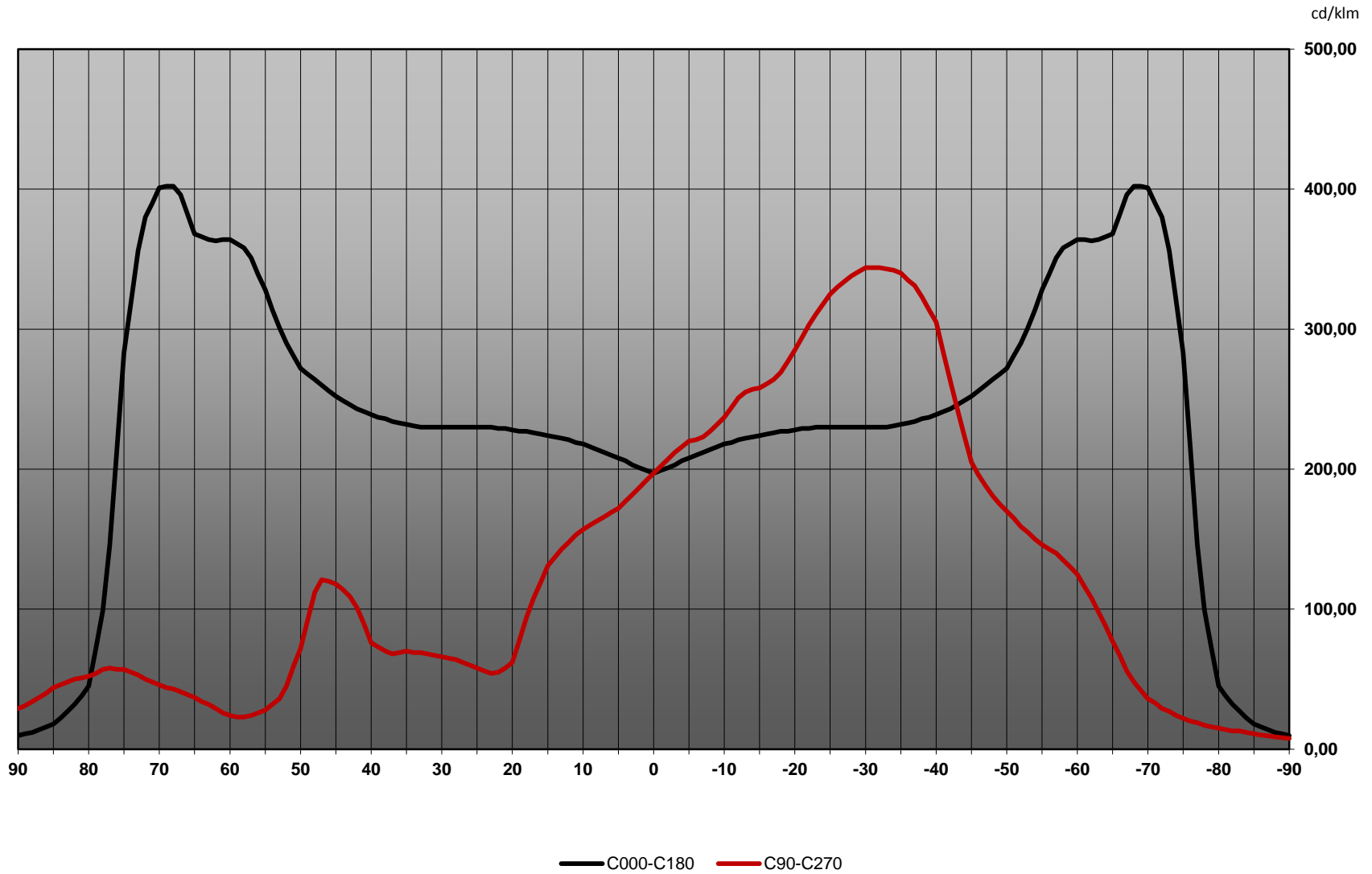
http://ledil.fi/sites/default/files/Documents/Technical/Material/PMMA%20N%20UL94_Yellow%20Card.pdf

<http://ledil.fi/sites/default/files/Documents/Technical/Material/PMMA%20N%20PLEXIGLAS-Datasheet.pdf>

Absolute intensity of C12726&CA12889_STRADA-SQ-T-DWC (Luxeon M)



Absolute intensity of C12726&CA12889_STRADA-SQ-T-DWC (Luxeon M)



D

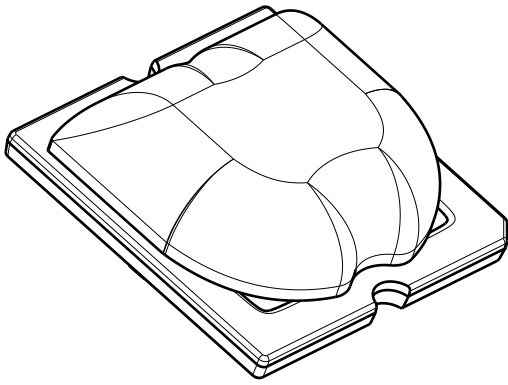
C

B

A

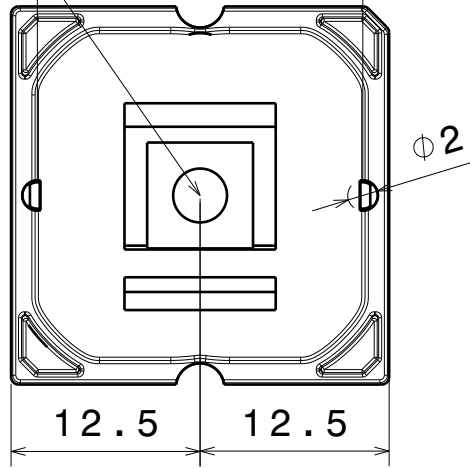
4

4



LED in center of the lens

21.5



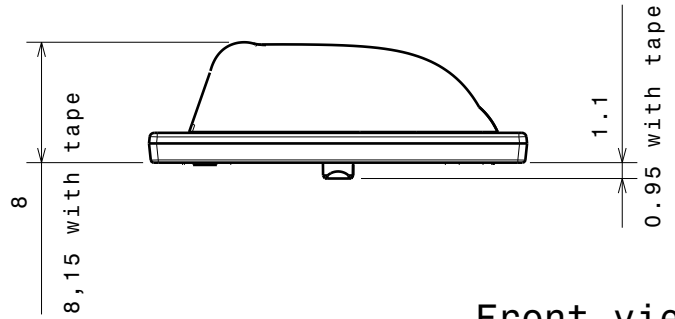
12.5

12.5

∅2

3

3



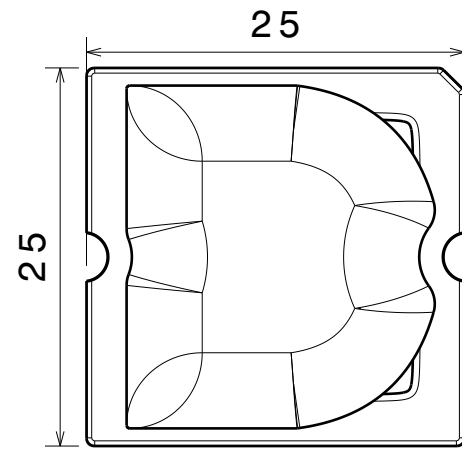
8
8,15 with tape

1.1
0.95 with tape

Front view

2

2



25

25

Top view

Materials:
Lens: PMMA

This drawing is our property. It can't be reproduced or communicated without our written agreement.



Ledil Oy
Salorankatu 10
FIN 24240 SALO
Finland

DRAWING TITLE

Datasheet STRADA-SQ-DWC

DRAWN BY

ol

DATE

4.5.2012

CHECKED BY

PV

DATE

4.5.2012

DESIGNED BY

OL

DATE

24.4.2012

SIZE

A4

DRAWING NUMBER

C12726

REV

01

SCALE

2:1

WEIGHT (kg)

0,00

SHEET

1/1

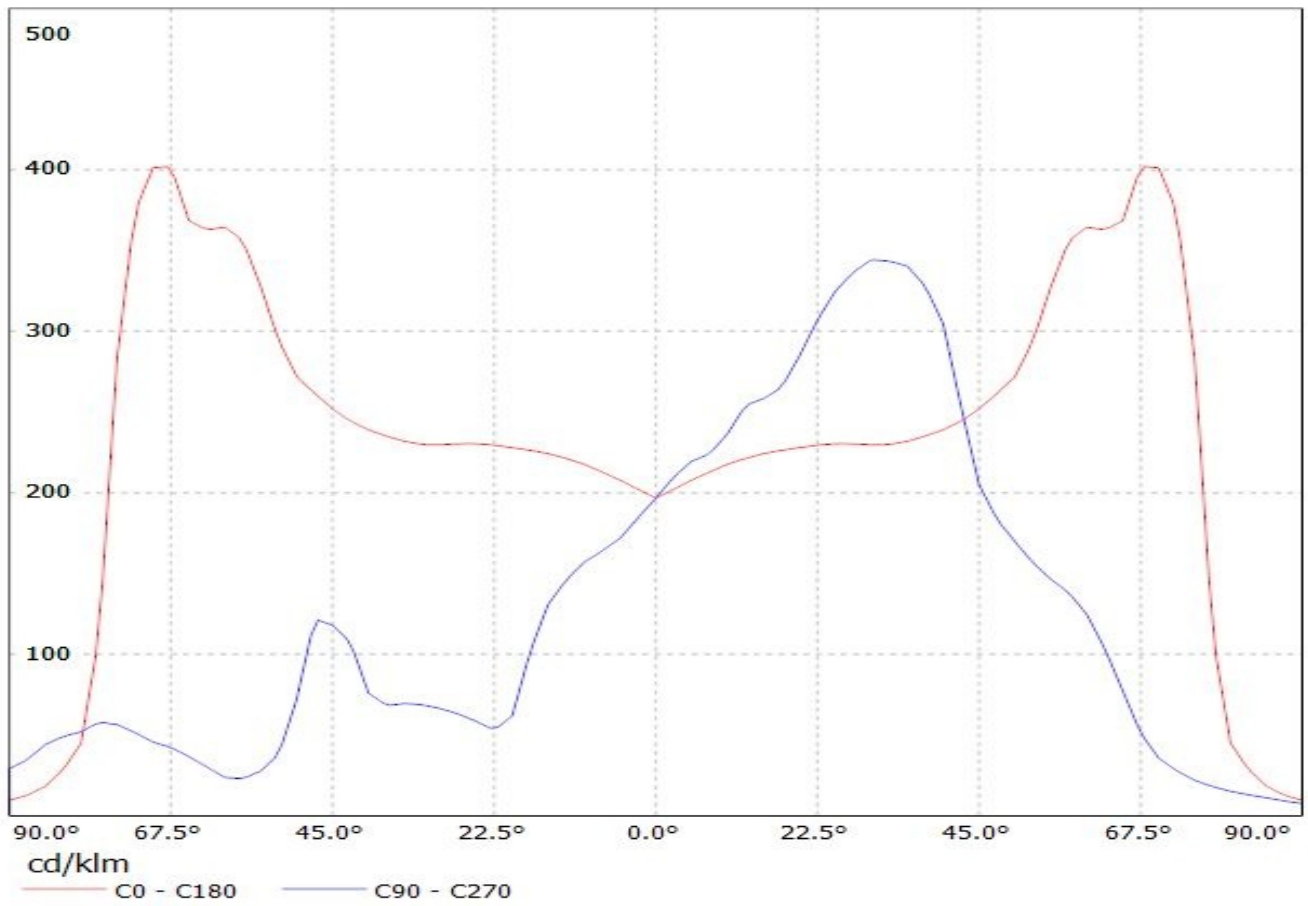
D

A

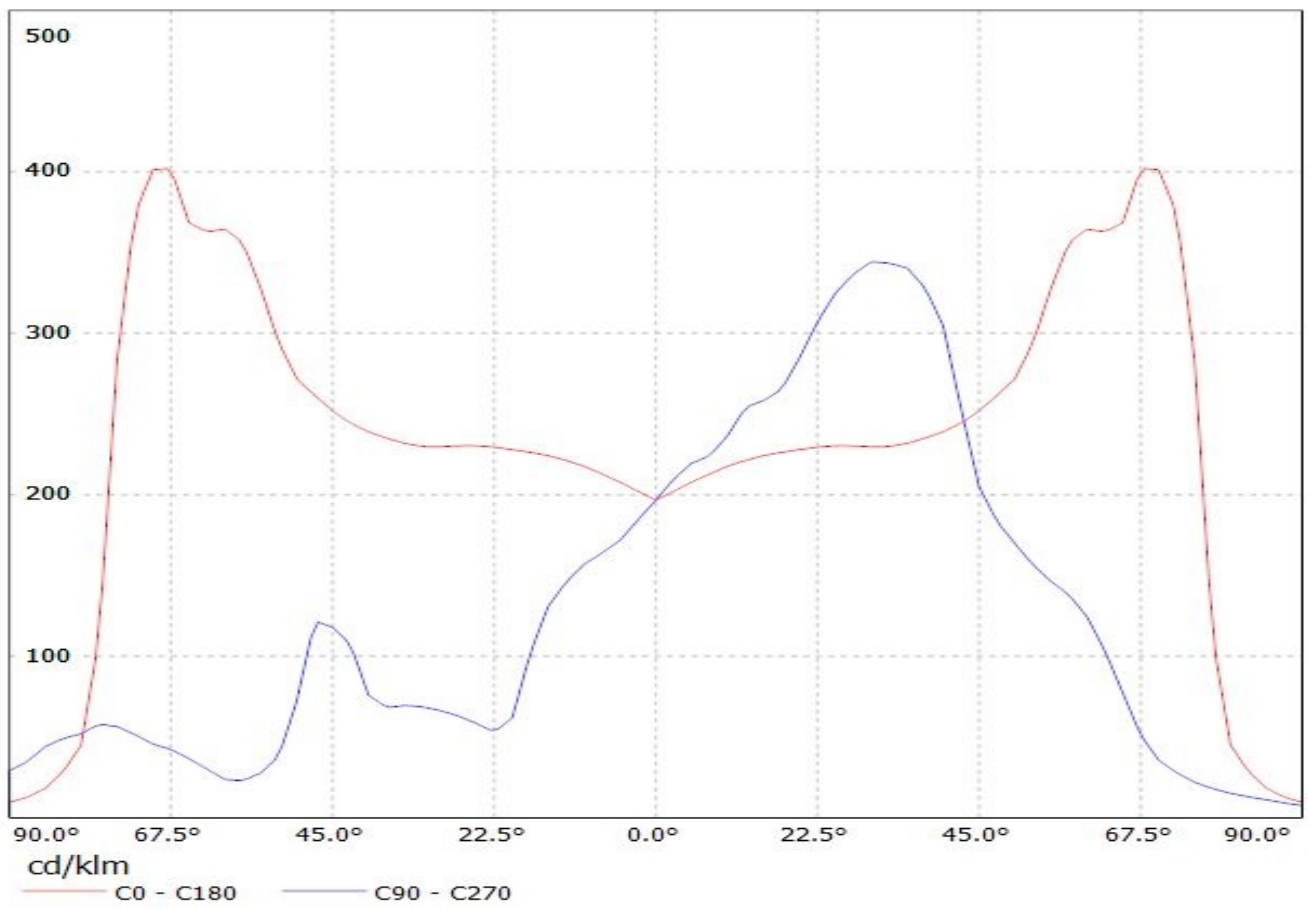
1

1

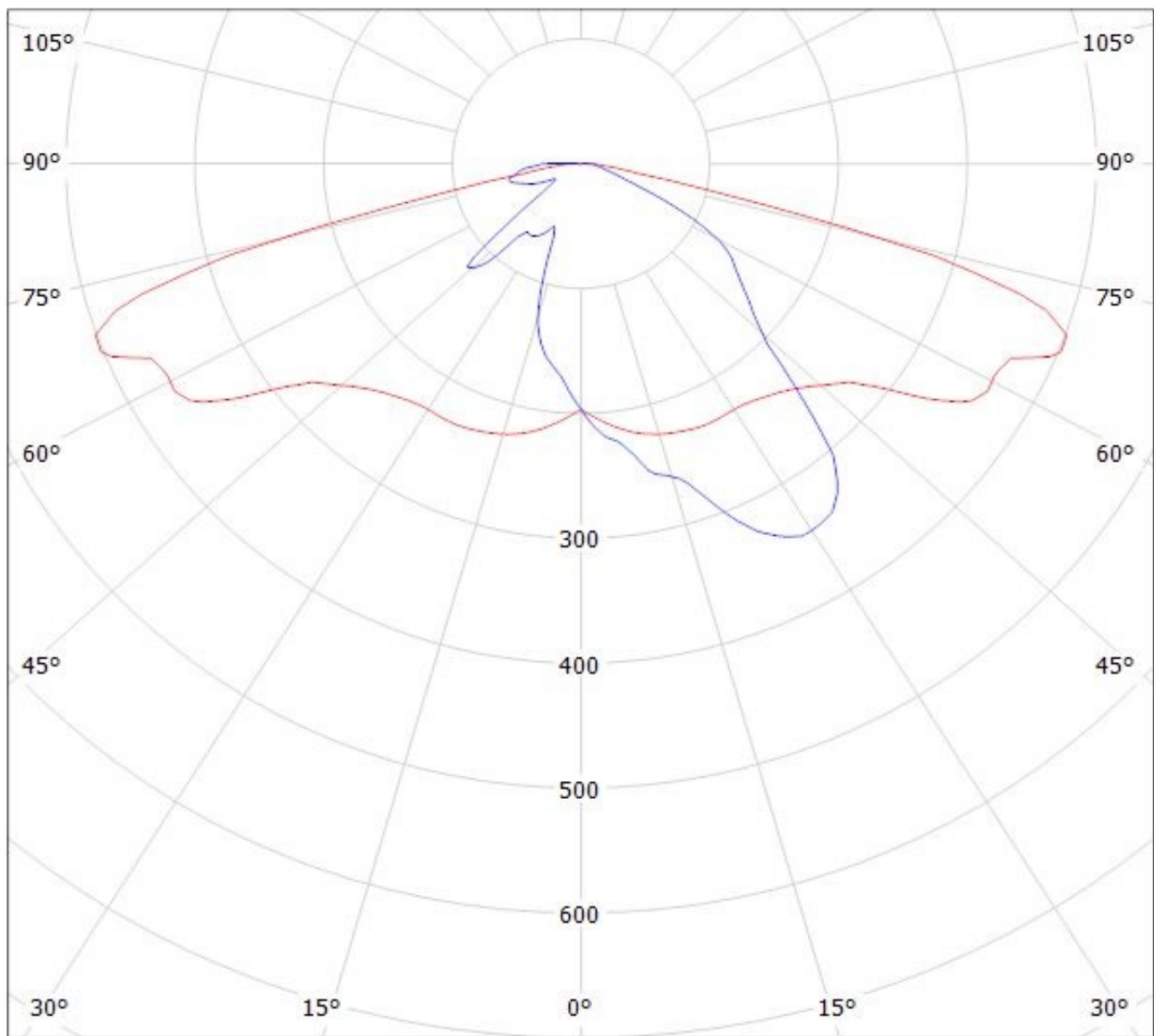
Luminaire: LEDiL C12726&CA12889_STRADA-SQ-T-DWC (Luxeon M) Efficiency=94%
Lamps: 1 x Luxeon M (360lm@250mA)



Luminaire: LEDiL C12726&CA12889_STRADA-SQ-T-DWC (Luxeon M) Efficiency=94%
Lamps: 1 x Luxeon M (360lm@250mA)



Luminaire: LEDiL C12726&CA12889_STRADA-SQ-T-DWC (Luxeon M) Efficiency=94%
Lamps: 1 x Luxeon M (360lm@250mA)

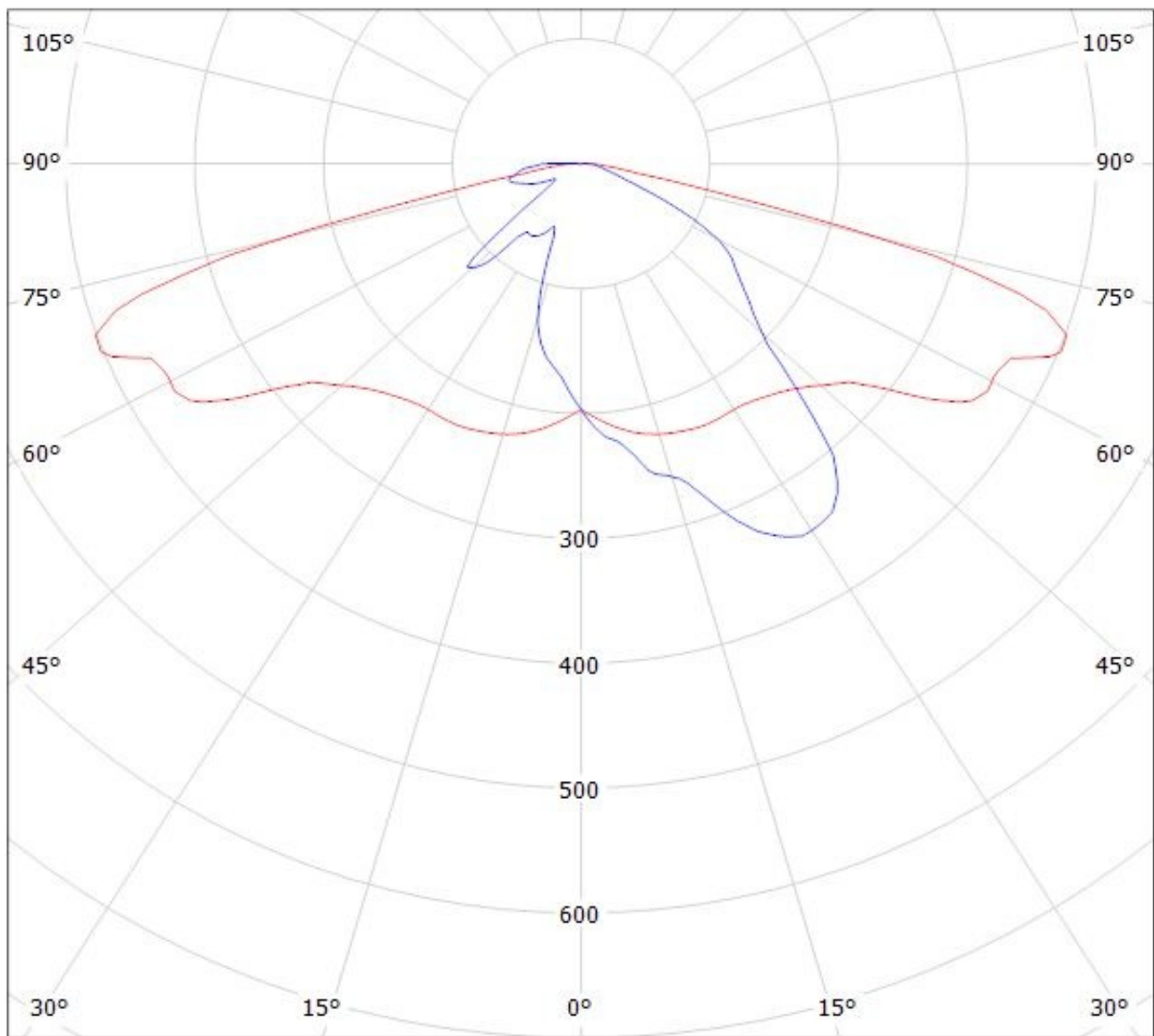


cd/klm

— C0 - C180

— C90 - C270

Luminaire: LEDiL C12726&CA12889_STRADA-SQ-T-DWC (Luxeon M) Efficiency=94%
Lamps: 1 x Luxeon M (360lm@250mA)



cd/klm

— C0 - C180

— C90 - C270