

Connector Fits a 7.5 mm



## **NECTOR S Line** lighting components

Flexible solutions for your lighting designs

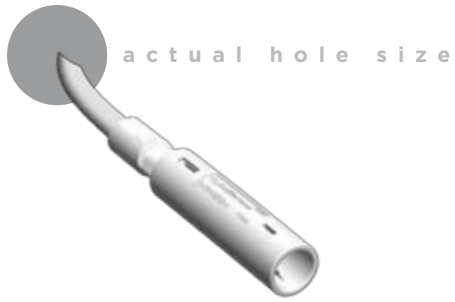
 **Tyco Electronics**

Our commitment. Your advantage.



The lighting industry is always changing. It is constantly in pursuit of more energy-efficient products with longer life-spans that can be used in different places under different circumstances. **Tyco Electronics can assist developers, designers and innovators in gaining a head start in this competitive industry.** For over 60 years we have worked with lighting industry leaders providing them with strong competitive advantages. Today, with over 500,000 part numbers, we are a leader in passive electronic components. Tomorrow we can apply our expertise to your design and development programs.





## NECTOR S Line

The Nector S Line connector is a small, power-to-luminaire connector designed to meet the lighting industry's need for a compact, easy-to-install interconnect solution. This 7.5 mm connector can easily fit in an 8 mm opening compared to other connectors that require much larger openings. The Nector S Line connector is ideal for applications where a power connection and coupling between lamps is needed. Targeted applications include lighting wiring in offices, kitchens, bathrooms, display cabinets, mountable lightings, shop and household furniture.

Whether it's showing you our value-added solutions or designing a new product; our commitment to advanced engineering and world-class manufacturing delivers innovation to advance your lighting project.

connector Fits a 7.5 mm

seeing

# is believing

## Lighting solutions that increase sales

### Products need to stand out

Every product deserves the best presentation possible. Not only in a photograph used for an advertisement, but in its display at a store, a product fair or in the reseller's showroom. Most of the lighting featured in such product presentations should showcase the product in the most optimal way.

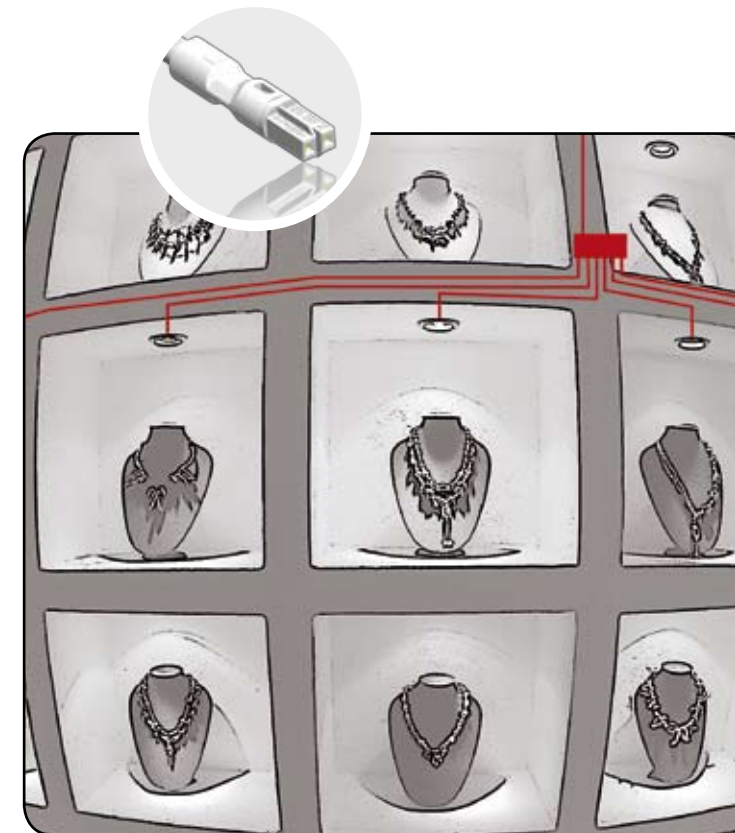
**THE PROBLEM :** An unreliable lighting connection can lead to light failure, which in turn can lead to poor product presentation.

**OUR SOLUTION :** A **reliable** lighting fixture with a proven connector system.

**THE END RESULT :** A **flexible**, high-quality fixture that provides more value through an integrated connector system.

### We can make your product stand out

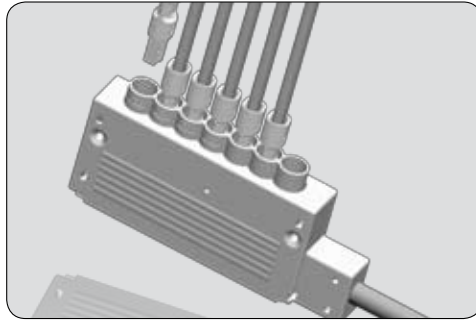
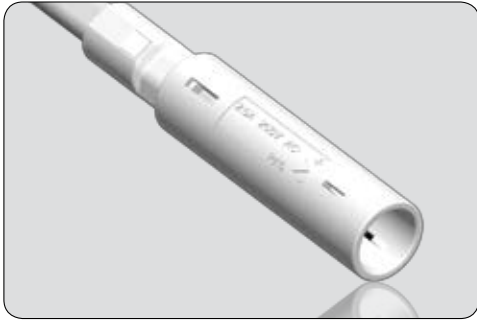
Now you can have a plug-and-play interconnection system that easily conducts power anywhere. With the NECTOR S Line connector, you are no longer limited by the size and shape of a connector. The small, smart wiring solution can make the presentation of any product outstanding.



- Expand the power system and easily split power for two lamps
- Splitter has the function to switch power
- LEDs can be placed in the series using a splitter



Plug-and-play principle.



## It's easy and reliable.

### **Easy. Fast. Compact.**

It's our job to make lighting connectors easy to use and fast to implement. The compact NECTOR S Line connector allows you to think freely with your lighting design as its flexibility enables you to move fixtures around product displays for optimum lighting without worrying about any practical implications.

**Our connectors can make your lighting visualizations a reality.**





Fits a 7.5 mm connector

# lighting as you





# imagined it

## Flexible solutions with every design.

### The creative use of light sources

Every interior designer knows what proper lighting can do to a room, a desk or a cabinet. It can set a room's ambiance, tone a wall color, or apply an accent on just the right spot. Your wiring can be just as **flexible** as your imagination.

### Just give us 8 mm

If you give us an opening as little as 8 mm, the NECTOR S Line connector can fit there. You can power your lights just about anywhere: in a cabinet, inside kitchen furniture or in a headboard. The connector is easy to use, fast to implement and small enough to fit almost anywhere.

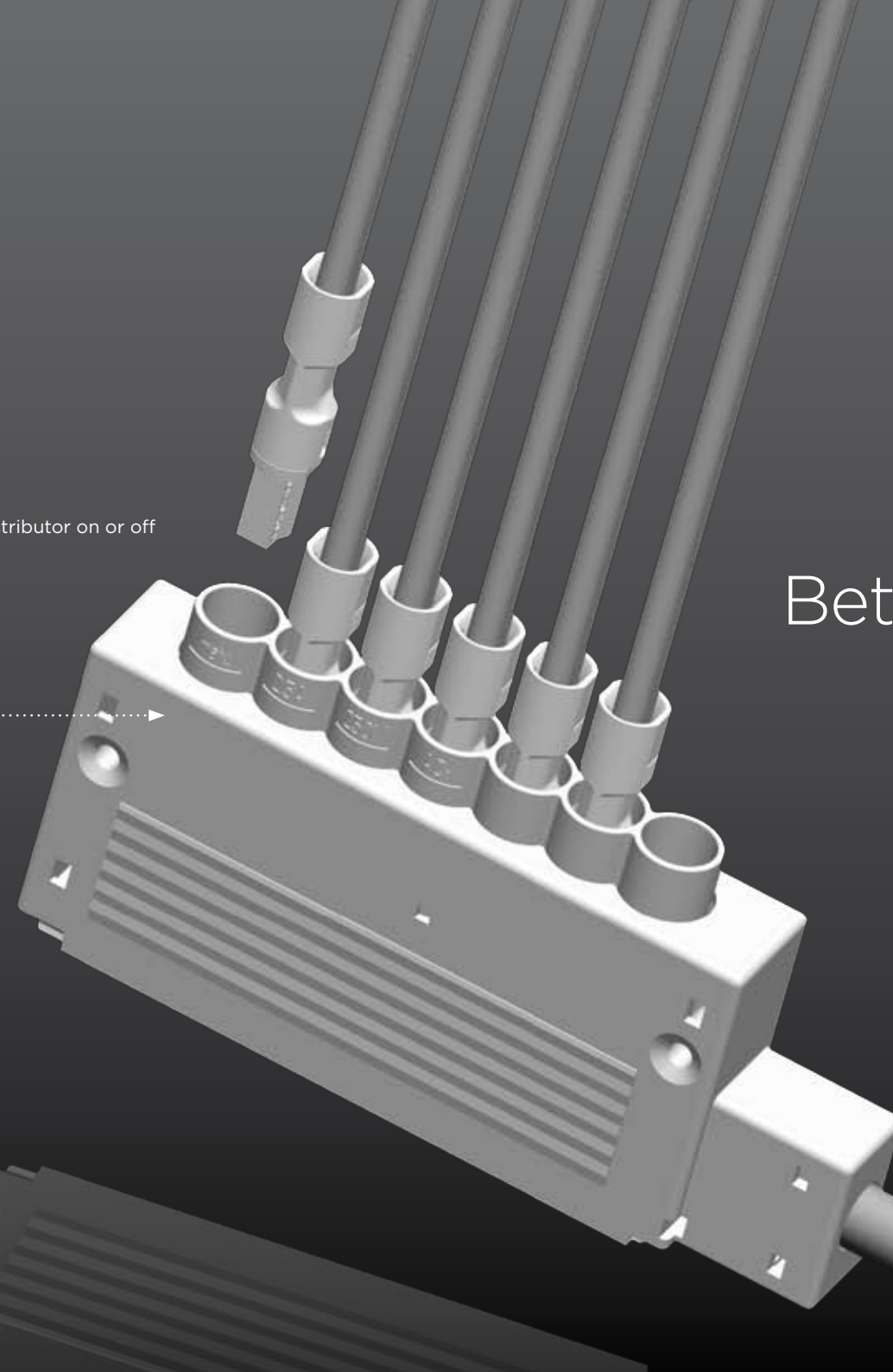


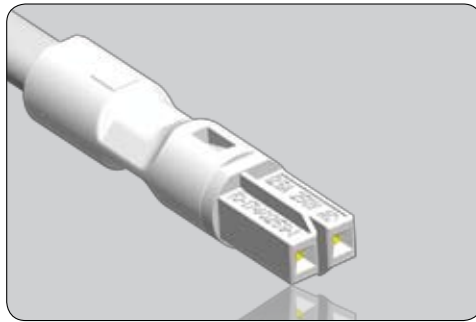
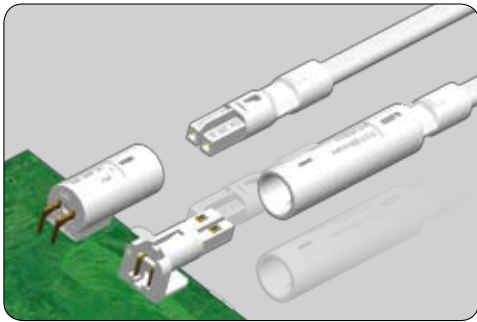
Fits a 7.5 mm  
connector



Better Atmosphere.

- Six-way splitter to power six lamps
- Optional switch function to switch distributor on or off

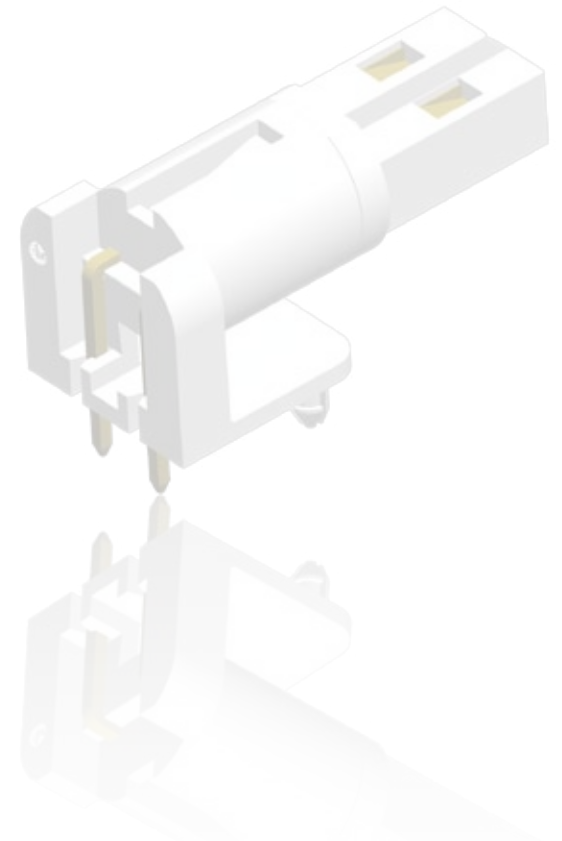




## Electricity where you need it.

### It's the little things

The overall atmosphere of any interior lighting design can change because of a 7.5 mm connector. Those few millimeters can give you unparalleled freedom to power your lights. Whether it is 250V, 125V or a low voltage, the plug-and-play connector can expand a lighting system beyond its wall outlet.





connector Fits a 7.5 mm

small connectors,

# optimal connectivity

## Freedom in energy distribution.

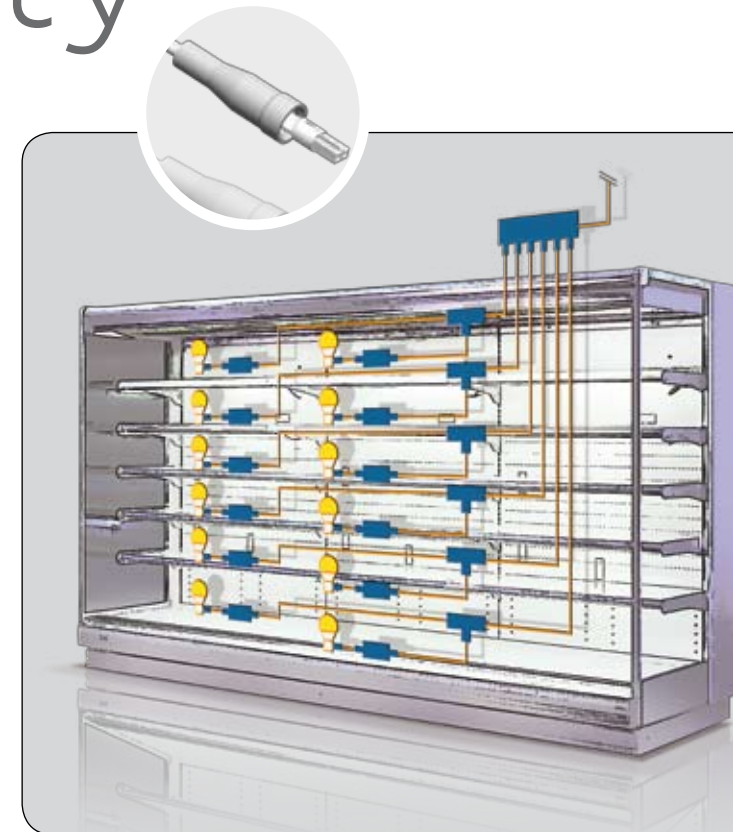
### Less use of space, energy, and design equals better lighting installations.

With the development of LEDs, lighting fixtures are now smaller in size and the possibilities of lighting are expanding. The NECTOR S Line connector can power small fixtures that are designed to fit into almost any space.

### Our connector goes places

Well balanced lighting inside a refrigerator or freezer system can increase sales. Products are more noticeable, more appealing and consequently they sell better. When you use the NECTOR S Line connector to power the lights inside your current conventionally-lit freezer or refrigerator case, you have the flexibility to quickly and easily change to a new LED lighting system.

In refrigerator or freezer applications, the sealed NECTOR S Line connector is easy to use. In both new and retrofit installations, its small size makes it almost invisible. The sealed NECTOR S Line connector system includes a range of easy-to-install, flexible products specifically designed for commercial refrigeration and freezer systems.



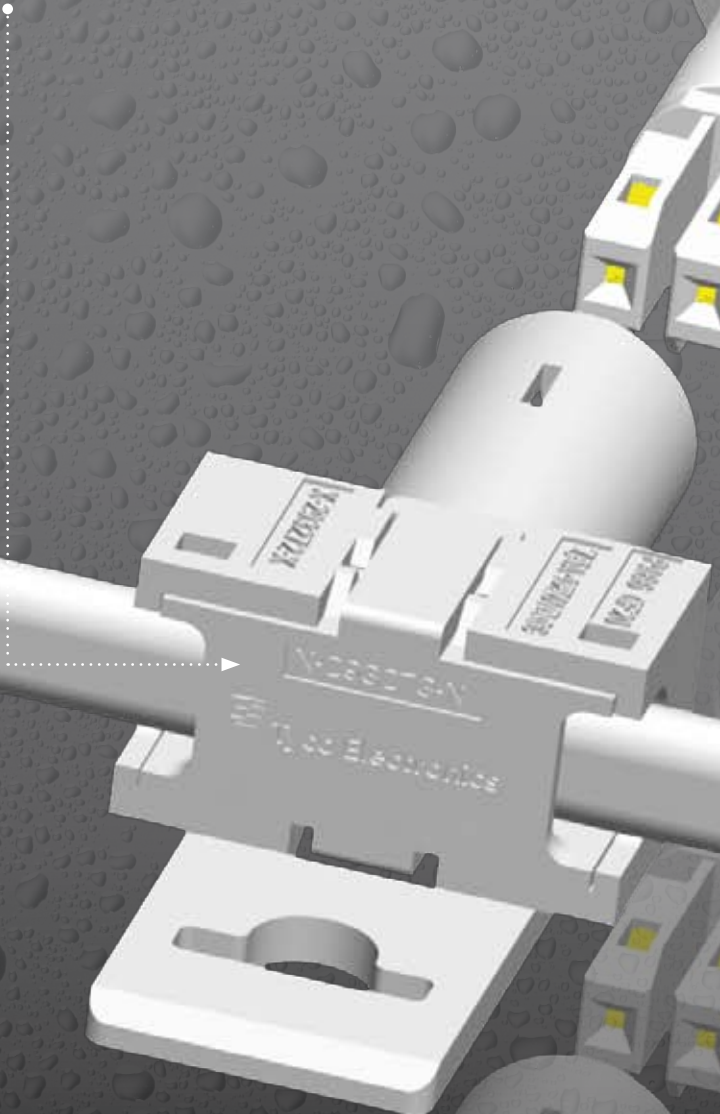


Fits a 7.5 mm  
connector

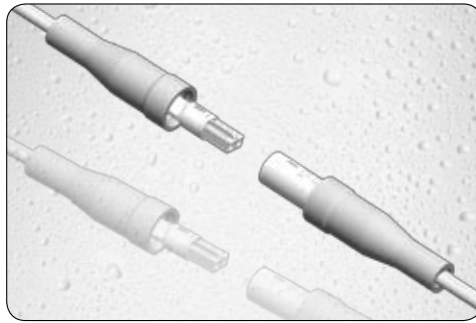
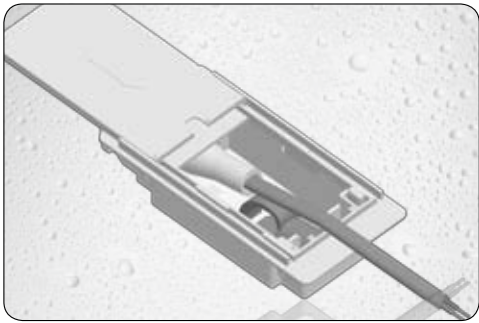
- Bus bar can be placed anywhere on the cable
- Multiple bus bars can be placed on the cable
- Sealed bus bar and sealed plug provide IP67 protection



Displays in a whole new light.







# Upgrade your inventory.

## What you see is what you get

Customers want to take a good look at the products they are about to purchase. Supermarkets and department stores pay close attention to their overall use of lighting to ensure that the products on their shelves are noticeable. With refrigeration and freezer systems, good lighting is never easy to achieve. New systems are equipped with interior lighting that is optimized. Retrofitting an existing lighting system is a costly operation often not done unless other upgrades are needed.

## Upgrade now

When you use the NECTOR S Line connector to retrofit the lighting inside your current system, you have the opportunity to use the latest in interconnect and lighting technology. Not only will the products on your shelves look and sell better, but your store will look better too!

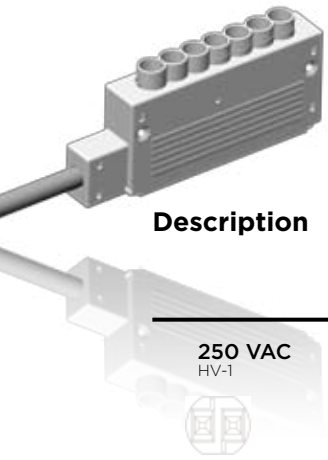


# NECTOR S Line Product details

Fits a 7.5mm connector





Standard Cable assemblies with H03VVH2-F 2\*0.75mm<sup>2</sup>

[tycoelectronics.com/lighting](http://tycoelectronics.com/lighting)

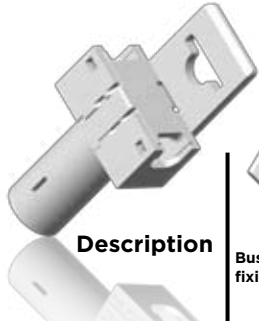


## Description

Cable Color ● Black ○ White

Description		S Line female to male			S Line female to pigtail			S Line male to pigtail			S Line 6 way distributor to endsleeve 1000mm		S Line 7 way distributor to endsleeve (switchable) 1000mm		S Line Europlug to male 1800mm		S Line Europlug to 6 way distributor 1800mm		S Line Europlug to 7 way distributor (switchable) 1800mm			
<b>250 VAC</b> HV-1  Max. 2.5 Amp.	0.5m	1-2083029-1	●	1-2083031-1	●	1-2083033-1	●															
	1m	1-2083029-2	●	1-2083031-2	●	1-2083033-2	●															
	1.5m	1-2083029-3	●	1-2083031-3	●	1-2083033-3	●															
	2m	1-2083029-4	●	1-2083031-4	●	1-2083033-4	●															
	0.5m	1-2083029-5	○	1-2083031-5	○	1-2083033-5	○															
	1m	1-2083029-6	○	1-2083031-6	○	1-2083033-6	○															
	1.5m	1-2083029-7	○	1-2083031-7	○	1-2083033-7	○															
	2m	1-2083029-8	○	1-2083031-8	○	1-2083033-8	○															
<b>250 VAC</b> HV-2 (switch)  Max. 2.5 Amp.	0.5m			2-2083031-1	●																	
	1m			2-2083031-2	●																	
	1.5m			2-2083031-3	●																	
	2m			2-2083031-4	●																	
	0.5m			2-2083031-5	○																	
	1m			2-2083031-6	○																	
	1.5m			2-2083031-7	○																	
	2m			2-2083031-8	○																	
<b>42 VAC</b> LV-1  Max. 7 Amp.	0.5m	1-2083030-1	●	1-2083032-1	●	1-2083034-1	●															
	1m	1-2083030-2	●	1-2083032-2	●	1-2083034-2	●															
	1.5m	1-2083030-3	●	1-2083032-3	●	1-2083034-3	●															
	2m	1-2083030-4	●	1-2083032-4	●	1-2083034-4	●															
	0.5m	1-2083030-5	○	1-2083032-5	○	1-2083034-5	○															
	1m	1-2083030-6	○	1-2083032-6	○	1-2083034-6	○															
	1.5m	1-2083030-7	○	1-2083032-7	○	1-2083034-7	○															
	2m	1-2083030-8	○	1-2083032-8	○	1-2083034-8	○															
<b>42 VDC</b> LV-2  Max. 7 Amp.	0.5m	2-2083030-1	●	2-2083032-1	●	2-2083034-1	●															
	1m	2-2083030-2	●	2-2083032-2	●	2-2083034-2	●															
	1.5m	2-2083030-3	●	2-2083032-3	●	2-2083034-3	●															
	2m	2-2083030-4	●	2-2083032-4	●	2-2083034-4	●															
	0.5m	2-2083030-5	○	2-2083032-5	○	2-2083034-5	○															
	1m	2-2083030-6	○	2-2083032-6	○	2-2083034-6	○															
	1.5m	2-2083030-7	○	2-2083032-7	○	2-2083034-7	○															
	2m	2-2083030-8	○	2-2083032-8	○	2-2083034-8	○															

Standard components



Housing Color ● Black ○ White ○ Light Grey ● Yellow ● Blue T Transparent ● Red

Description	Bus Bar with fixing hook	Bus Bar without fixing hook	Splitter	Outlet PCB Connector straight version	Outlet PCB Connector 90° version	Plug PCB Connector straight version	Plug PCB Connector 90° version	Chassis Mount Frame panel thickness 0.5 mm to 1.5 mm	Chassis Mount Housing Support needed with frame	Panel Mount Outlet	Wall Outlet Assembly	Wall Outlet Frame Assembly	Blind Rubber Boot	IP67 Boot to be used on plug outlet
<b>250 VAC HV-1</b>  Max. 2.5 Amp.	293300-1 ○	293300-3 ○	293234-3 ○	293313-1 ○	293315-1 ○	293308-1 ○	293311-1 ○	293302-1 ○	293303-1 ○		293285-1 ○	293286-1 ○	293275-1 ●	293284-1 T
	293300-2 ●	293300-4 ●	293234-9 ●	293313-2 ●	293315-2 ●	293308-2 ●	293311-2 ●					293286-2 ○		
	293270-1 <sup>1</sup> ○	293270-3 <sup>1</sup> ○		293313-9 <sup>3</sup> ○	293315-6 <sup>3</sup> ○							293286-3 ●		
	293270-2 <sup>2</sup> ○	293270-4 <sup>2</sup> ○		1-293313-0 <sup>3</sup> ○	293315-7 <sup>3</sup> ○									
<b>250 VAC HV-2 (switch)</b>  Max. 2.5 Amp.			293235-3 ○	293313-8 ●	UL 293652-1 ○	293308-4 ●	293311-4 ●	293302-1 ○	293303-1 ○		293285-1 ○	293286-1 ○	293275-1 ●	293284-1 T
			UL 293649-1 ○	UL 293653-1 ○		UL 293655-1 ○	293654-1 ○					293286-2 ○		
												293286-3 ●		
<b>125 VAC HV-3</b>  Max. 6 Amp.			293234-4 ●	293313-3 ●	293315-3 ●	293308-3 ●	293311-3 ●	293302-1 ○	293303-1 ○		293285-1 ○	293286-1 ○	293275-1 ●	293284-1 T
			UL 293650-2 ○	UL 293653-2 ○	UL 293652-2 ○	UL 293655-2 ○	UL 293654-2 ○					293286-2 ●		
<b>42 VAC LV-1</b>  Max. 7 Amp.	293300-9 ○	1-293300-0 ○	293234-7 ○	293313-4 ○	293315-4 ○	293308-5 ○	293311-5 ○	293302-1 ○	293303-1 ○		293285-1 ○	293286-1 ●	293275-1 ●	293284-1 T
												293286-2 ○		
												293286-3 ●		
<b>42 VDC LV-2</b>  Max. 7 Amp.	1-293300-1 ●	1-293300-2 ●	293234-8 ●	293313-5 ●	293315-5 ●	293308-6 ●	293311-6 ●	293302-1 ○	293303-1 ○	293224-5 ○	293285-1 ○	293286-1 ○	293275-1 ●	293284-1 T
		1-293300-5 <sup>4</sup> ○	UL 293650-4 ○	UL 293653-5 ○	UL 293652-5 ○	UL 293655-5 ○	UL 293654-5 ○			293224-6 ●		293286-2 ○		
										UL 293648-2 ○		293286-3 ●		

1 : gell-filled 2 : gell filled, end run 3 : gold plated contact 4 : end run

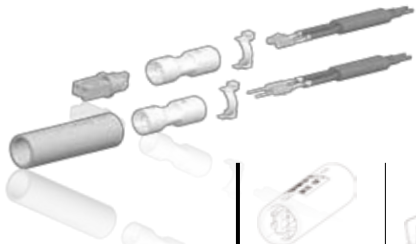


# NECTOR S Line Product details

Fits a 7.5 mm connector

## Loose piece components

NECTOR S Line is acc IEC 60320. For more technical specifications go to [tycoelectronics.com/lighting](http://tycoelectronics.com/lighting)



TOOLING	
Handtool for LP Crimp contacts (complete tool)	2-1579004-2
Handripper for Crimphead + Crimphead for LP Crimpcontacts (both parts needed)	2-1579005-1 3-1579021-8
Applicator for ST Crimpcontacts	9-541803-2
To be used on machine	1725950-6
Handtool for ring clip	3-1579002-1
Contact Extraction tool	1-1579007-4

Description	Oulet Housing to be used with pin contacts	Pin Contact	Tube HO3 VVH2	Ring Clip	Tube SVT Style Cable UL	Tube SPT-2 Style Cable UL	Plug Housing IEC 60320 to be used with socket contacts	Socket Contact	6 Way Distributor Body UL style body SVT UL style body SPT-1	7 Way Distributor Body UL style body SVT UL style body SPT-1	Cover UL style body SVT UL style body SPT-1	Coding Ring To be used on the switch
<b>250 VAC HV-1</b>  Max. 2.5 Amp.	1740262-1 ○	1740335-1 (unplated) ○	1740260-1 ○	1740261-1 ○	293359-1 ○	293358-1 ○	1740259-1 ○	1740336-1 (unplated)	1740317-1 ○	1740317-2 ○	1740315-2 ●	1740316-1 ●
	1740262-2 ●	1740335-4 (tin plated) ○	1740260-2 ●	1740261-2 ●			1740259-2 ●	1740336-4 (tin plated)	1740317-3 ●	1740317-4 ●	1740515-1 ○	
	UL 293387-1 ○	1740335-7 (gold plated) ○					UL 293388-1 ○	1740336-7 (gold plated)			UL 293587-1 ○	
		293389-1 (tin plated UL) ○						293390-1 (tin plated UL)				
<b>250 VAC HV-2 (switch)</b>  Max. 2.5 Amp.		1740335-1 (unplated) ○	1740260-1 ○	1740261-1 ○	293359-1 ○	293358-1 ○	1740259-5 ●	1740336-1 (unplated)				1740316-1 ●
		1740335-4 (tin plated) ○	1740260-2 ●	1740261-2 ●			UL 293388-1 ○	1740336-4 (tin plated)				
		1740335-7 (gold plated) ○						1740336-7 (gold plated)				
		293389-1 (tin plated UL) ○						293390-1 (tin plated UL)				
<b>125 VAC HV-3</b>  Max. 6 Amp.	1740262-6 ○	1740335-1 (unplated) ○	1740260-1 ○	1740261-1 ○	293359-1 ○	293358-1 ○	1740259-6 ●	1740336-1 (unplated)	1740317-5 ●	1740317-6 ●	1740315-2 ●	1740316-1 ●
	UL 293387-1 ○	1740335-4 (tin plated) ○	1740260-2 ●	1740261-2 ●			UL 293388-2 ○	1740336-4 (tin plated)	UL 293651-1 ○	UL 293661-2 ○	1740315-1 ○	
		1740335-7 (gold plated) ○						1740336-7 (gold plated)			293587-1 ○	
		293389-1 (tin plated UL) ○						293390-1 (tin plated UL)				
<b>42 VAC LV-1</b>  Max. 7 Amp.	1740451-1 ○	1740335-1 (unplated) ●	1740260-1 ○	1740261-1 ○	293359-1 ○	293358-1 ○	1740449-1 ○	1740336-1 (unplated)	1740317-7 ○	1740317-8 ○	1740315-2 ●	1740316-1 ●
		1740335-4 (tin plated) ○	1740260-2 ●	1740261-2 ●				1740336-4 (tin plated)			174515-1 ○	
		1740335-7 (gold plated) ○						1740336-7 (gold plated)			UL 293587-1 ○	
		293389-1 (tin plated UL) ○						293390-1 (tin plated UL)				
<b>42 VDC LV-2</b>  Max. 7 Amp.	1740451-2 ●		1740260-1 ○	1740261-1 ○	293359-1 ○	293358-1 ○	1740449-2 ●	1740336-1 (unplated)	1740317-9 ●	1740317-1 ●	1740315-2 ●	1740316-1 ●
	293387-4 ○		1740260-2 ●	1740261-2 ●			UL 293388-5 ○	1740336-4 (tin plated)	UL 293651-3 ○	UL 293651-4 ○	1740315-1 ○	
		293389-1 (tin plated UL) ○						1740336-7 (gold plated)			UL 293587-1 ○	
								293390-1 (tin plated UL)				



# Tyco Electronics Global Contacts

For email, phone or live chat, go to [tycoelectronics.com/help](http://tycoelectronics.com/help)

## Americas

**Argentina** (Buenos Aires)  
Phone: +54-11-4733-2200  
Fax: +54-11-4733-2211

**Brasil** (São Paulo)  
Phone: +55-11-2103-6000  
Fax: +55-11-2103-6030

**Chile** (Santiago)  
Phone: +56-2-345-0361  
Fax: +56-2-223-1477

**Canada** (Toronto)  
Phone: +905-475-6222  
Fax: +905-474-5520  
Product Information Center:  
Phone: +905-470-4425  
Fax: +905-474-5525

**Colombia** (Bogota)  
Phone: +57-1-319-8959  
Fax: +57-1-319-8960

**Mexico** (Mexico City)  
Phone: +52-55-1106-0800  
+01-800-733-8926  
Fax: +52-55-1106-0901

**For Latin/South American**  
(Countries not shown)  
Phone: +54-11-4733-2015  
Fax: +54-11-4733-2083

**United States**  
(Harrisburg, PA)  
Phone: +1-717-564-0100  
Fax: +1-717-986-7575  
Product Information Center:  
Phone: +1-800-522-6752  
Fax: +1-717-986-7575

(Troy, MI)  
Phone: +1-248-273-3359  
Fax: +1-248-273-3322

## Asia/Pacific

**Australia** (Sydney)  
Phone: +61-2-9554-2600  
Fax: +61-2-9502-2556  
Product Information Center:  
Phone: +61-2-9840-8200  
Fax: +61-2-9634-6188

**India** (Bangalore)  
Phone: +91-80-285-40800  
Fax: +91-80-285-40820

**Indonesia** (Jakarta)  
Phone: +65-6482-0311  
Fax: +65-6482-1012

**Japan** (Kawasaki, Kanagawa)  
Phone: +81-44-844-8111  
Fax: +81-44-812-3207  
Product Information Center:  
Phone: +81-44-844-8013  
Fax: +81-44-812-3200

**Korea** (Seoul)  
Phone: +82-2-3415-4500  
Fax: +82-2-3486-3810

**Malaysia** (Selangor)  
Phone: +60-3-7805-3055  
Fax: +60-3-7805-3066

**New Zealand** (Auckland)  
Phone: +64-9-634-4580  
Fax: +64-9-634-4586

**Philippines** (Makati City)  
Phone: +632-848-0171  
Fax: +632-867-8661

**People's Republic of China**  
(Hong Kong)  
Phone: +852-2735-1628  
Fax: +852-2735-0243  
(Shanghai)  
Phone: +86-21-2407-1588  
Fax: +86-21-2407-1599

**Singapore** (Singapore)  
Phone: +65-6482-0311  
Fax: +65-6482-1012

**Taiwan** (Taipei)  
Phone: +886-2-8768-2788  
Fax: +886-2-8768-2268

**Thailand** (Bangkok)  
Phone: +66-2-955-0500  
Fax: +66-2-955-0505

**Vietnam** (Ho Chi Minh City)  
Phone: +84-8-930-5546  
Fax: +84-8-930-3443

## Europe/Middle East/Africa

**Austria** (Vienna)  
Phone: +43-1-905-60-0  
Fax: +43-1-905-60-1333  
Product Information Center:  
Phone: +43-1-905-60-1249  
Fax: +43-1-905-60-1251

**Belarus** (Minsk)  
Phone: +375 17 237 47 94  
Fax: +375 17 237 47 94

**Belgium** (Kessel-Lo)  
Phone: +32-16-352-300  
Fax: +32-16-352-355

**Bulgaria** (Sofia)  
Phone: +359-2-971-2152  
Fax: +359-2-971-2153

**Czech Republic and Slovakia**  
**Czech Republic** (Kurim)  
Phone: +420-541-162-111  
Fax: +420-541-162-223  
Product Information Center:  
Phone: +420-541-162-113  
Fax: +420-541-162-132

**Denmark** (Glostrup)  
Phone: +45-43-48-04-00  
Fax: +45-43-44-14-14

**Egypt** (Cairo)  
Phone: +202-419-2334  
Fax: +202-417-7647

**Estonia** (Tartu)  
Phone: +372-5138-274  
Fax: +372-7400-779

**Finland** (Helsinki)  
Phone: +358-95-12-34-20  
Fax: +358-95-12-34-250

**France** (Cergy-Pontoise Cedex)  
Phone: +33-1-3420-8888  
Fax: +33-1-3420-8600  
Product Information Center:  
Phone: +33-1-3420-8686  
Fax: +33-1-3420-8623

**France Export Divisions**  
(Cergy-Pontoise Cedex)  
Phone: +33-1-3420-8804  
Fax: +33-1-3420-8699

**Germany** (Bensheim)  
Phone: +49-6251-133-0  
Fax: +49-6251-133-1600

**Product Information Center:**  
Phone: +49-6251-133-1999  
Fax: +49-6251-133-1988

**Greece** (Athens)  
Phone: +30-210-9370-396/397  
Fax: +30-210-9370-655

**Hungary** (Budapest)  
Phone: +36-1-289-1000  
Fax: +36-1-289-1010  
Product Information Center:  
Phone: +36-1-289-1016  
Fax: +36-1-289-1017

**Ireland** (Dublin)  
Phone: +353-1-866-5612  
Fax: +353-1-866-5714

**Israel** (Petach-Tikva)  
Phone: +972-3-929-0999  
Fax: +972-3-919-1088

**Italy** (Collegno (Torino))  
Phone: +39-011-4012-111  
Fax: +39-011-4031-116  
Product Information Center:  
Phone: +39-011-4012-428  
Fax: +39-011-40-287-428

**Lithuania and Latvia**  
**Lithuania** (Vilnius)  
Phone: +370-5-213-1402  
Fax: +370-5-213-1403  
Product Information Center:  
Phone: +370-5-211-3016  
Fax: +370-5-213-1403

**Netherlands** ('s-Hertogenbosch)  
Phone: +31-73-6246-246  
Fax: +31-73-6212-365  
Product Information Center:  
Phone: +31-73-6246-999  
Fax: +31-73-6246-998

**Norway** (Nesbru)  
Phone: +47-66-77-88-50  
Fax: +47-66-77-88-55

**Poland** (Warsaw)  
Phone: +48-22-4576-700  
Fax: +48-22-4576-720  
Product Information Center:  
Phone: +48-22-4576-704  
Fax: +48-22-4576-720

**Romania** (Bucharest)  
Phone: +40-21-311-3479/3596  
Fax: +40-21-312-0574

**Russia** (Moscow)  
Phone: +7-495-790-7902  
Fax: +7-495-721-1893  
Product Information Center:  
Phone: +7-495-790-7902-404  
Fax: +7-495-790-7902-401

**Russia** (St. Petersburg)  
Phone: +7-812-718-8192  
Fax: +7-812-718-8193

**Slovenia** (Ljubljana)  
Phone: +386-1561-3270  
Fax: +386-1561-3240

**South Africa** (Port Elizabeth)  
Phone: +27-41-503-4500  
Fax: +27-41-581-0440

**Spain** (Barcelona)  
Phone: +34-93-291-0330  
Fax: +34-93-201-7879

**Sweden** (Upplands Väsby)  
Phone: +46-8-50-72-50-00  
Fax: +46-8-50-72-50-01

**Switzerland** (Steinach)  
Phone: +41-71-447-0447  
Fax: +41-71-447-0444

**Turkey** (Istanbul)  
Phone: +90-212-281-8181/2/3  
+90-212-282-5130/5430  
Fax: +90-212-281-8184

**Ukraine** (Kiev)  
Phone: +380-44-206-2265  
Fax: +380-44-206-2264  
Product Information Center:  
Phone: +380-44-206-2265  
Fax: +380-44-206-2264

**United Kingdom**  
(Stanmore, Middlesex)  
Phone: +44-8706-080208  
Fax: +44-208-954-6234  
Product Information Center:  
Freephone (UK only):  
+0800-267-666  
Phone: +44-8706-080208  
Fax: +44-208-420-8095

## FOR MORE INFORMATION

[tycoelectronics.com/lighting](http://tycoelectronics.com/lighting)

connector Fits a 7.5 mm

### Technical Support

Internet:	<a href="http://www.tycoelectronics.com/help">www.tycoelectronics.com/help</a>
USA:	+1 (800) 522-6752
Canada:	+1 (905) 470-4425
Mexico & Central America:	+52(0) 55-1106-0814
South America:	+55 (0) 11-2103-6000
Germany:	+49 (0) 6251-133-1999
UK:	+44 (0) 800-267266
France:	+33 (0) 1-3420-8686
Netherlands:	+31 (0) 73-6246-999
China:	+86 (0) 400-820-6015

Part numbers in this brochure are RoHS Compliant\*, unless marked otherwise.

\*as defined [www.tycoelectronics.com/leadfree](http://www.tycoelectronics.com/leadfree)

### Tyco Electronics Corporation

Harrisburg, PA | [tycoelectronics.com](http://tycoelectronics.com)

© 2010 Tyco Electronics Corporation. All Rights Reserved.

1773457-7 CIS EMEA 500 03/2010

NECTOR, TE (logo) and Tyco Electronics are trademarks of the Tyco Electronics group of companies and its licensors.

Other products, logos, and Company names mentioned herein may be trademarks of their respective owners.

While Tyco Electronics has made every reasonable effort to ensure the accuracy of the information in this catalog, Tyco Electronics does not guarantee that it is error-free, nor does Tyco Electronics make any other representation, warranty or guarantee that the information is accurate, correct, reliable or current. Tyco Electronics reserves the right to make any adjustments to the information contained herein at any time without notice. Tyco Electronics expressly disclaims all implied warranties regarding the information contained herein, including, but not limited to, any implied warranties of merchantability or fitness for a particular purpose. The dimensions in this catalog are for reference purposes only and are subject to change without notice. Specifications are subject to change without notice. Consult Tyco Electronics for the latest dimensions and design specifications.



Our commitment. Your advantage.