

IEC Appliance Inlet C20 or C24, Split panel or screw-on mounting, PCB Terminal

V-Lock



Split panel mounting, Snap-in PCB,  
Additional earth terminal 90° to  
connector axis



Split panel mounting, Screw-on PCB,  
Additional earth terminal 90° to  
connector axis



Screw-on panel mounting, Snap-in PCB,  
Additional earth terminal  
in connector axis

C20



70° C

C24



70° C

**Description**

- Panel Mount :  
Splitpanel (sandwich) or screw-on from backside
- Appliance Inlet , Pin temperature 70 °C , protection class I or II
- V-Lock notch standard
- Additional ground terminal
- Meets the requirements of IEC 60335-1 for appliances in unattended use. This includes the enhanced requirements of glow wire tests acc. to IEC 60695-2-12 and -13.
- Variants with protection cover on rear side
- For PCB mounting

**Approvals**

- Approval Reference Type: GSP4
- VDE Certificate Number: 40035923
- UL File Number: E96454
- CCC File Number: 2013010204591237

**Other versions on request**

- Further colours on request

**Weblinks**

[pdf datasheet](#), [html-datasheet](#), [General Product Information](#), [RoHS](#), [CHINA-RoHS](#), [REACH](#), [Distributor-Stock-Check](#), [Accessories](#), [Detailed request for product](#), [Microsite](#)

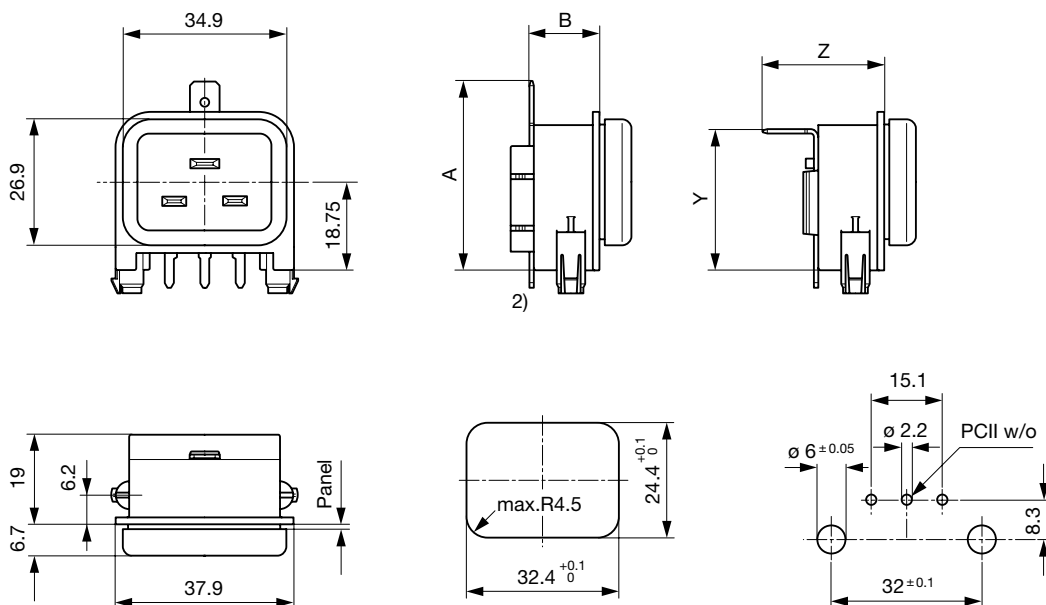
**Technical Data**

Ratings IEC	16A / 250VAC; 50Hz	appliance inlet/-outlet	C20 or C24 acc. to IEC 60320-1 UL 60320-1, CSA C22.2 no. 60320-1 (for cold conditions) pin-temperature 70 °C, 16A, Protection Class I or II
Ratings UL/CSA	20A / 250VAC; 60Hz		
Dielectric Strength	> 1.5kVAC between L-N > 1.5kVAC between L/N-PE (1 min/50Hz)		
Allowable Operation Temperature	-25 °C to 70 °C		
IP-Protection	from front side IP 20 acc. to IEC 60529		
Insulation cover	Suitable for appliances with protection class I or II acc. to IEC 61140		
Terminal	PCB terminals , additional ground terminal		
Panel Thickness s	for sandwich mounting 1/1.2/1.5/2/2.5/3/4 mm		
Material: Housing	Thermoplastic, black, UL 94V-0		

Detailed information on product approvals, code requirements, usage instructions and detailed test conditions can be looked up in [General Product Information](#)

**Dimensions**

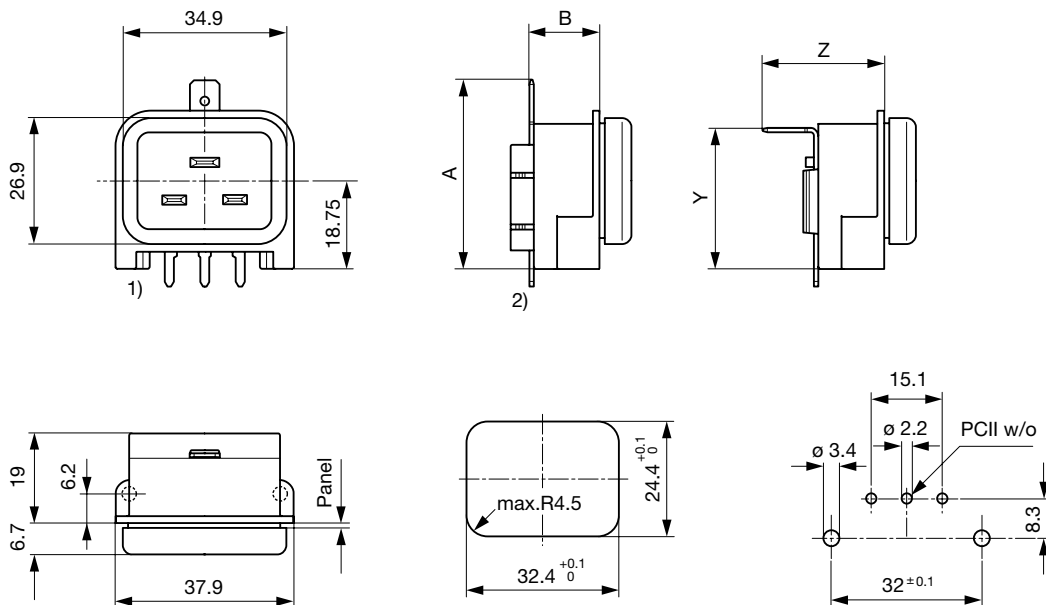
Split panel mounting / Snap-in on PCB



Dimension	A	B	Y	Z
Quick connect 6.3x0.8 mm	40.3	15.0	30.0	25.9
Solder	37.3	15.0	30.0	22.9

2) with protection cover

Split panel mounting / Screw-on mounting on PCB

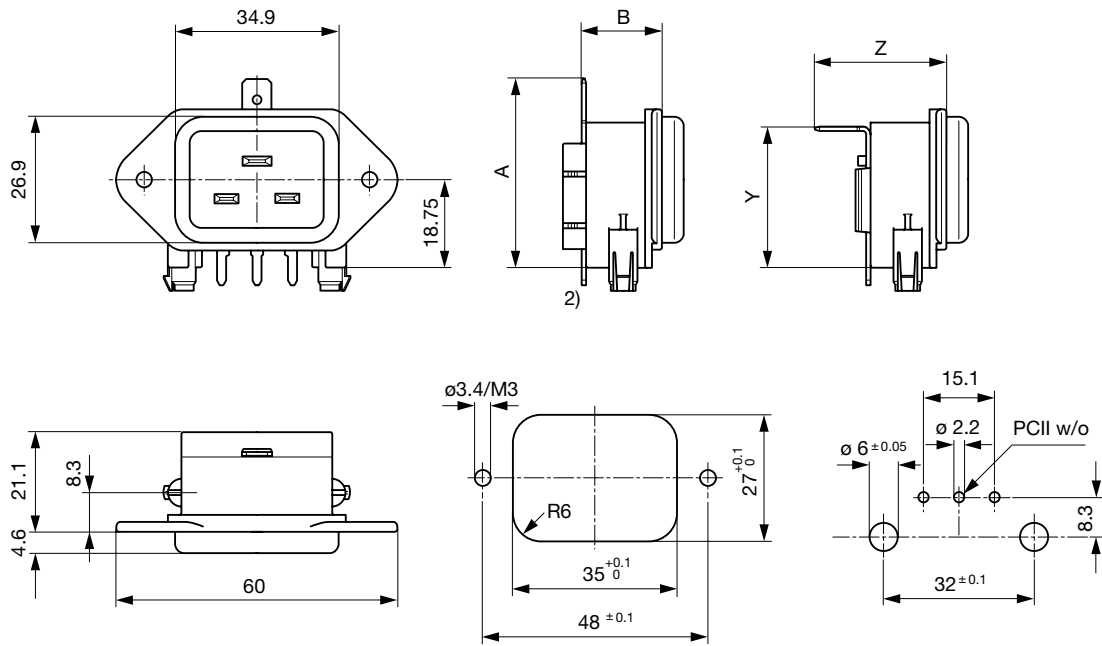


Dimension	A	B	Y	Z
Quick connect 6.3x0.8 mm	40.3	15.0	30.0	25.9
Solder	37.3	15.0	30.0	22.9

1) Mounting screw torque max. 0.3 Nm

2) with protection cover

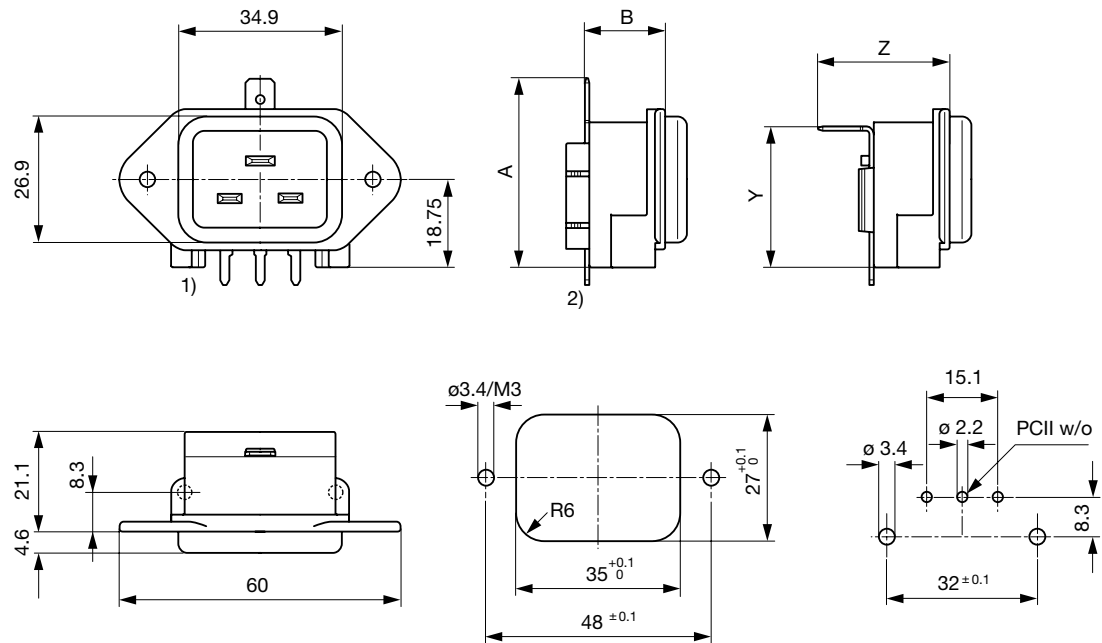
Screw-on rear side / Snap-in on PCB



Dimension	A	B	Y	Z
Quick connect 6.3x0.8 mm	40.3	17.1	30.0	28.0
Solder	37.3	17.1	30.0	25.0

2) with protection cover

Screw-on rear side / Screw-on mounting on PCB



Dimension	A	B	Y	Z
Quick connect 6.3x0.8 mm	40.3	17.1	30.0	28.0
Solder	37.3	17.1	30.0	25.0

1) Mounting screw torque max. 0.3 Nm

2) with protection cover

## All Variants

Protection Class	Panel mounting	Panel Thickness [mm]	PCB mounting	Additional ground terminal		Cover	Order Number
				Terminal	Terminal direction		
I	Sandwich	1.0	Screw	solder terminal	90° to connector axis	none	<a href="#">GSP4.010C.11</a>
I	Sandwich	1.5	Screw	Quick connect terminal 6.3 x 0.8 mm	in connector axis	none	<a href="#">GSP4.0107.13</a>
I	Sandwich	1.5	Screw	solder terminal	90° to connector axis	none	<a href="#">GSP4.010C.13</a>
I	Sandwich	1.5	Snap-in	Quick connect terminal 6.3 x 0.8 mm	in connector axis	none	<a href="#">GSP4.0207.13</a>
I	Sandwich	3.0	Snap-in	Quick connect terminal 6.3 x 0.8 mm	in connector axis	none	<a href="#">GSP4.0207.16</a>
I	Sandwich	3.0	Snap-in	Quick connect terminal 6.3 x 0.8 mm	in connector axis	mounted	<a href="#">GSP4.0217.16</a>
I	Screw	-	Screw	Quick connect terminal 6.3 x 0.8 mm	in connector axis	none	<a href="#">GSP4.0107.10</a>
I	Screw	-	Snap-in	Quick connect terminal 6.3 x 0.8 mm	90° to connector axis	none	<a href="#">GSP4.0205.10</a>
I	Screw	-	Snap-in	Quick connect terminal 6.3 x 0.8 mm	in connector axis	none	<a href="#">GSP4.0207.10</a>
I	Screw	-	Snap-in	Quick connect terminal 6.3 x 0.8 mm	in connector axis	mounted	<a href="#">GSP4.0217.10</a>
II	Sandwich	1.5	Snap-in	-	-	mounted	<a href="#">GSP4.0210.13</a>

 Most Popular.

Availability for all products can be searched real-time: <http://www.schurter.com/en/Stock-Check/Stock-Check-SCHURTER>

With screw mounting on PCB, 2 screws are included

### Packaging unit

50 Pcs

### Mating Outlets/Connectors

#### Category / Description



#### Appliance Outlet Overview complete

IEC Appliance Outlet J, Screw-on Mounting, Front Side, Quick-connect Terminal

5017

[Appliance Outlet further types to GSP4](#)



#### Connector Overview complete

IEC Connector C19, Rewireable, Straight

4795

IEC Connector C19, Rewireable, Angled

4790

[Connector further types to GSP4](#)



#### Power Supply Cord Overview complete

Cord Sets 16 A, Europlug, 2.5 m, Connector IEC C19, H05VV-F3G1.5, black

6004.0395

Cord Sets 16 A, Interconnection, 1.0 m, Connector IEC C19, H05VV-F3G1.5, black

6020.0392

Cord Sets 16 A, Interconnection, 2.0 m, Connector IEC C19, H05VV-F3G1.5, black

6020.0394

[Power Supply Cord further types to GSP4](#)

## Mating Outlets/Connectors shuttered



[Power Cord Overview complete](#)

[Overview Power Cord with IEC Appliance Connector C19, V-Lock, straight](#)

VAC19KS

[Power Cord further types to GSP4](#)