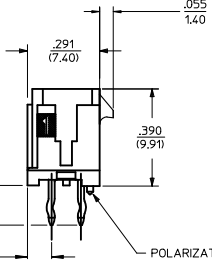
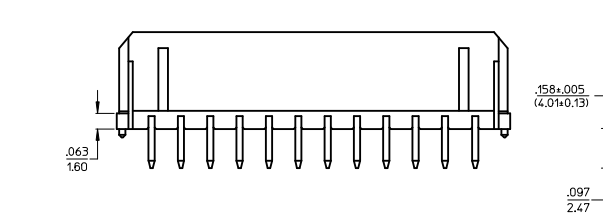
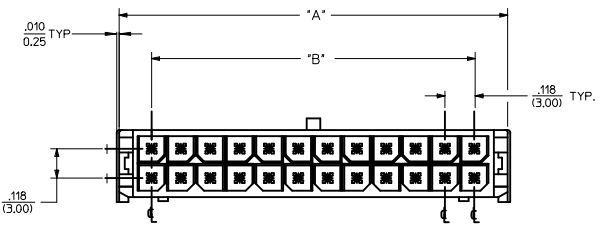


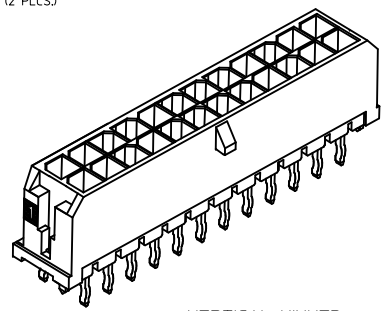
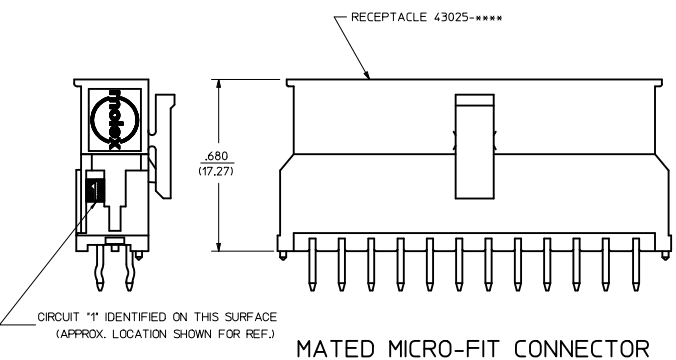
ASSEMBLY ITEM NUMBER	PART CHARACTERISTICS FOR VERTICAL	
	NUMBER OF POSITION	PLATING OPTION
44067-0201	02	A
44067-0202	02	B
44067-0203	02	C
44067-0401	04	A
44067-0402	04	B
44067-0403	04	C
44067-0601	06	A
44067-0602	06	B
44067-0603	06	C
44067-0801	08	A
44067-0802	08	B
44067-0803	08	C
44067-1001	10	A
44067-1002	10	B
44067-1003	10	C
44067-1201	12	A
44067-1202	12	B
44067-1203	12	C
44067-1401	14	A
44067-1402	14	B
44067-1403	14	C
44067-1601	16	A
44067-1602	16	B
44067-1603	16	C
44067-1801	18	A
44067-1802	18	B
44067-1803	18	C
44067-2001	20	A
44067-2002	20	B
44067-2003	20	C
44067-2201	22	A
44067-2202	22	B
44067-2203	22	C
44067-2401	24	A
44067-2402	24	B
44067-2403	24	C

CKT. NO.	DIM. 'A'	DIM. 'B'	DIM. 'C'
2	.262/(16.65)	NA	SEE LAYOUT
4	.380/(9.65)	.118/(3.00)	SEE LAYOUT
6	.498/(12.65)	.236/(6.00)	.472/(12.00)
8	.616/(15.65)	.354/(9.00)	.590/(15.00)
10	.734/(18.65)	.472/(12.00)	.708/(18.00)
12	.852/(21.65)	.591/(15.00)	.827/(21.00)
14	.970/(24.65)	.709/(18.00)	.945/(24.00)
16	1.088/(27.65)	.827/(21.00)	1.063/(27.00)
18	1.206/(30.65)	.945/(24.00)	1.181/(30.00)
20	1.325/(33.65)	1.063/(27.00)	1.299/(33.00)
22	1.443/(36.65)	1.181/(30.00)	1.417/(36.00)
24	1.561/(39.65)	1.299/(33.00)	1.535/(39.00)

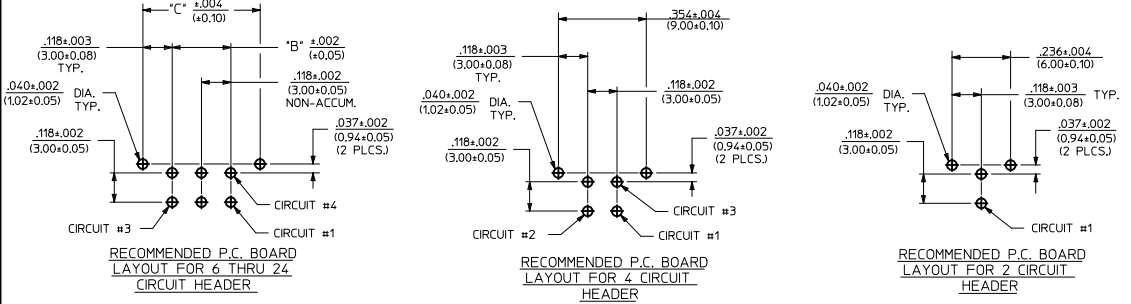


- NOTES:**
- MATERIAL:**
HOUSING - LIQUID CRYSTAL POLYMER (LCP), GLASS-FILLED UL94V-0. COLOR - BLACK
TERMINAL - BRASS ALLOY
 - FINISHES:**
"A" = .000100/(0.00254) MIN. TIN OVER .000050/(0.00127) MIN. NICKEL PLATE.
"B" = .000015/(0.00038) MIN. SELECT GOLD IN CONTACT AREA. .000100/(0.00254) MIN. SELECT MATTE TIN ON SOLDER TAILS. BOTH OVER .000050/(0.00127) MIN. NICKEL PLATE.
"C" = .000030/(0.00076) MIN. SELECT GOLD IN CONTACT AREA. .000100/(0.00254) MIN. SELECT MATTE TIN ON SOLDER TAILS. BOTH OVER .000050/(0.00127) MIN. NICKEL PLATE.
 - PRODUCT SPECIFICATION:** PS-43045.
 - PACKAGING SPECIFICATIONS ARE SHOWN ON DRAWING** PK-70873-0314.
 - THIS HEADER MATES WITH MICRO-FIT RECEPTACLE** 43025-****.
 - THIS HEADER IS DESIGNED IN METRIC.**
 - DESIGNED FOR .140/(3.56) MAX. THICK P.C. BOARDS.**
 - THIS PART CONFORMS TO CLASS B REQUIREMENTS OF COSMETIC SPECIFICATION** PS-45499-002.

**VERTICAL O.T.R. THRU HOLE
(LONGER P.C. TAIL LENGTH)**



**VERTICAL KINKED
THRU HOLE HEADER
ISO VIEW**



ADD .291/7.40 DIM. EC NO. UCF2010-3273 TDRW/KIPER 2008/02/25 CHYD/SOUSEK 2010/06/17 APPR/FSM/TH 2010/06/29	QUALITY SYMBOLS ▽=0 ▽=0 ▽=0	GENERAL TOLERANCES (UNLESS SPECIFIED) <table border="1"> <tr><th></th><th>mm</th><th>INCH</th></tr> <tr><td>4 PLACES</td><td>±.010</td><td>±.0004</td></tr> <tr><td>3 PLACES</td><td>±.014</td><td>±.0005</td></tr> <tr><td>2 PLACES</td><td>±.025</td><td>±.0010</td></tr> <tr><td>1 PLACE</td><td>±.036</td><td>±.0014</td></tr> </table> ANGULAR ±1/2°		mm	INCH	4 PLACES	±.010	±.0004	3 PLACES	±.014	±.0005	2 PLACES	±.025	±.0010	1 PLACE	±.036	±.0014	DIMENSION STYLE IN/MM	SCALE 4:1	DESIGN UNITS METRIC	THIRD ANGLE PROJECTION
				mm	INCH																
4 PLACES	±.010	±.0004																			
3 PLACES	±.014	±.0005																			
2 PLACES	±.025	±.0010																			
1 PLACE	±.036	±.0014																			
DRAFT WHERE APPLICABLE MUST REMAIN WITHIN DIMENSIONS	DRAWN BY A. GUZIK	DATE 1997/12/25	TITLE MICRO-FIT(3.0) 2-24 CKT. VERTICAL	APPROVED BY R. EDGLEY	DATE 1997/12/25	MOLEX INCORPORATED MOLEX INCORPORATED															