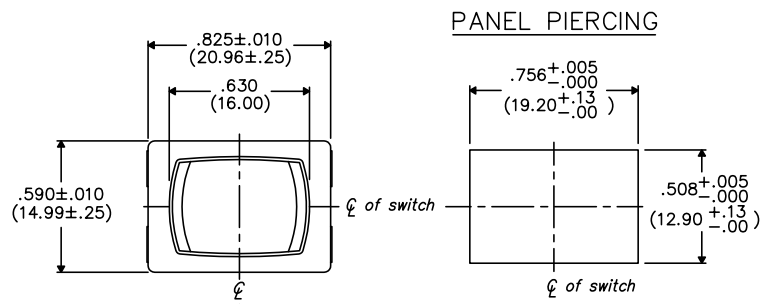


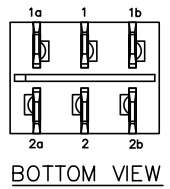
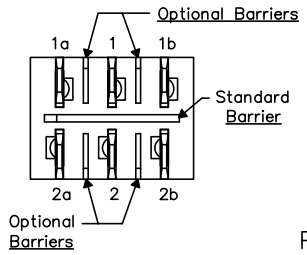
THIS INFORMATION IS CONFIDENTIAL AND PROPRIETARY TO CW INDUSTRIES INCORPORATED AND ITS AFFILIATES. IT MAY NOT BE DISCLOSED TO ANYONE OTHER THAN CW INDUSTRIES PERSONNEL, WITHOUT WRITTEN AUTHORIZATION FROM CW INDUSTRIES INCORPORATED, SOUTHAMPTON, PENNSYLVANIA USA.

B-FORMAT 2002  
 REVISIONS



**PANEL PIERCING**

**OPTIONAL INSULATING BARRIER**

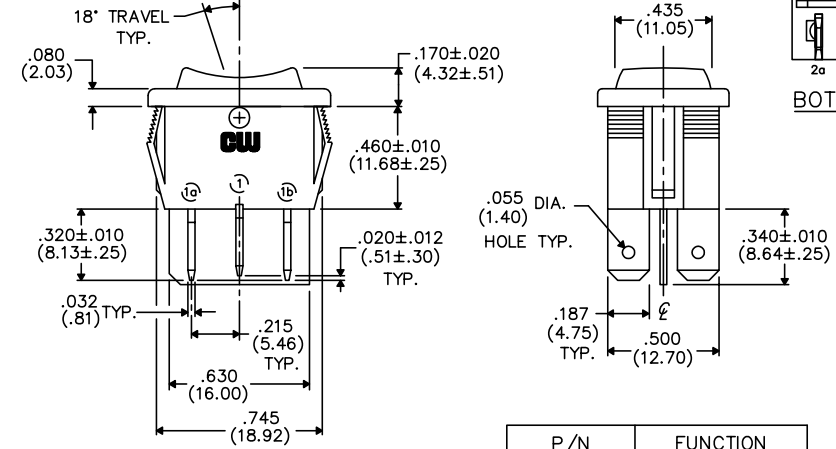
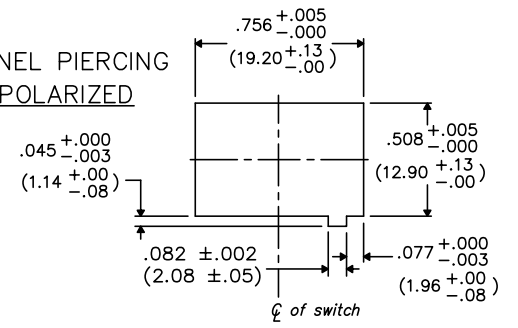


DIMENSIONS IN INCHES (MILLIMETERS)  
DO NOT SCALE DRAWING .....

Dwg. No.  
**GRS-4023A,B,C,-XXXX**

**MOUNTING PANEL THICKNESS**  
 Standard—.050" (1.27mm) to .150" (3.81mm).  
 Optional Mounting Claws for Custom Panel thickness are available.

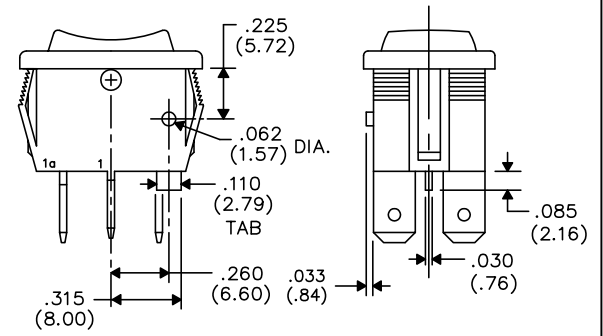
**PANEL PIERCING POLARIZED**



P/N	FUNCTION
GRS-4023A	Double Throw On-Off-On
GRS-4023B	Double Throw On-Off-(On)
GRS-4023C	Double Throw (On)-Off-(On)

**TERMINAL OPTIONS:**

- .187" (4.75mm) x .032" (.81mm) Solderless
- .110" (2.79mm) x .032" (.81mm) Solderless
- .187" (4.75mm) x .020" (.51mm) Solderless
- .110" (2.79mm) wide with .048" (1.22mm) x .237" (6.02mm) Slot for Soldering



**TAB AND POLARIZATION OPTIONS**

( ) = Momentary Function

PDF FILE MADE	<b>CW INDUSTRIES</b> Southampton, Pa. 18966		Title: <b>ROCKER SWITCH ASSEMBLY D.P./D.T.</b>
	TOLERANCES UNLESS OTHERWISE SPECIFIED		
	2 Place Decimal ±.010	METRIC	Division: <b>SWITCH</b>
	3 Place Decimal ±.005	1 Place Dec. ±.25mm	
	Angles ..... ±1°	2 Place Dec. ±.13mm	Dwg. No. <b>GRS-4023A,B,C,-XXXX</b>
Made for: CW IND.	Drawn by: DGW 10-28-2010	Approval:	