

PART NUMBER CODING

M D

MATERIAL (INSULATOR/CONTACT)

- E = PBT/PHOSPHOR BRONZE**
OPERATING TEMP: -65°C TO +125°C @ 3 AMPS PER CONTACT
OPERATING TEMP: -65°C TO +21°C @ 5 AMPS PER CONTACT
PROCESSING TEMP: 260°C FOR 10 SECS MAX
- R = PPS/PHOSPHOR BRONZE**
OPERATING TEMP: -65°C TO +125°C
PROCESSING TEMP: 260°C FOR 120 SECS MAX
CURRENT RATING PER CONTACT: 5 AMPS
- G = PA9T/PHOSPHOR BRONZE**
OPERATING TEMP: -65°C TO +125°C
PROCESSING TEMP: 260°C FOR 120 SECS MAX
CURRENT RATING PER CONTACT: 5 AMPS
- H = PBT/BERYLLIUM COPPER**
OPERATING TEMP: -65°C TO +125°C @ 3 AMPS PER CONTACT
OPERATING TEMP: -65°C TO +105°C @ 5 AMPS PER CONTACT
PROCESSING TEMP: 260°C FOR 10 SECS MAX
- A = PPS/BERYLLIUM COPPER**
OPERATING TEMP: -65°C TO +150°C
PROCESSING TEMP: 260°C FOR 120 SECS MAX
CURRENT RATING PER CONTACT: 5 AMPS
- J = PA9T/BERYLLIUM COPPER**
OPERATING TEMP: -65°C TO +150°C
PROCESSING TEMP: 260°C FOR 120 SECS MAX
CURRENT RATING PER CONTACT: 5 AMPS
- F = PPS/SPINODAL (CONSULT FACTORY)**
AVAILABLE IN OVERALL GOLD ONLY (S OR M PLATING CODE)
OPERATING TEMP: -65°C TO +200°C
PROCESSING TEMP: 260°C FOR 120 SECS MAX
CURRENT RATING PER CONTACT: 3 AMPS
- C = PPS/BERYLLIUM NICKEL (CONSULT FACTORY)**
AVAILABLE IN OVERALL GOLD ONLY (S OR M PLATING CODE)
OPERATING TEMP: -65°C TO +200°C @ 3 AMPS PER CONTACT
PROCESSING TEMP: 260°C FOR 120 SECS MAX
- W = PEEK/BERYLLIUM NICKEL (CONSULT FACTORY)**
AVAILABLE IN OVERALL GOLD ONLY (S OR M PLATING CODE)
OPERATING TEMP: -65°C TO +250°C
CURRENT RATING PER CONTACT: 3 AMPS
(CONSULT FACTORY FOR OTHER MATERIALS)

- MOUNTING STYLE**
- H = .125" DIA. CLEARANCE HOLES
 - N = NO MOUNTING EARS
 - S = .125" DIA. SIDE MOUNTING
 - I = #4-40 THREADED INSERT
 - F = FLOATING BOBBIN
 - D = FLUSH MOUNTING

TAIL LENGTH ±.025[.64]

- RX = .137[3.48]
- RF = .200[5.08]
- RU = .225[5.71]
- RP = .408[10.40]

NUMBER OF POSITIONS (CONTACTS PER ROW)

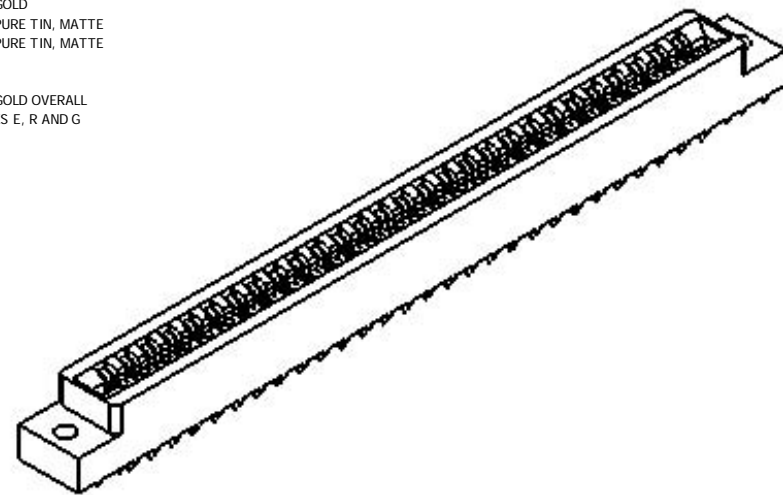
PLATING

ALL PLATINGS ARE LEAD FREE AND HAVE .000050" NICKEL UNDERPLATE

CONTACT SURFACE	TERMINATION
G = .000010" GOLD	.000005" GOLD
Y = .000030" GOLD	.000005" GOLD
B = .000010" GOLD	.000100" PURE TIN, MATTE
C = .000030" GOLD	.000100" PURE TIN, MATTE
**E = .000100" PURE TIN, MATTE, OVERALL	
S = .000010" GOLD OVERALL	
M = .000030" GOLD	.000010" GOLD OVERALL

** OVERALL TIN ONLY AVAILABLE ON MATERIAL CODES E, R AND G

REVISIONS				
REV.	ECO. NO	DESCRIPTION	DATE	BY
C	1662	UPDATE DRAWING FORMAT & PART NUMBER CODING	4/23/2008	VJ
D	1771	TABULATE DRF, DRU AND DRP TERMINATIONS	7/29/2008	MNH
E	1808	ADD 'D' MOUNTING, UPDATE FORMAT	9/23/2008	ASK



NOTES:

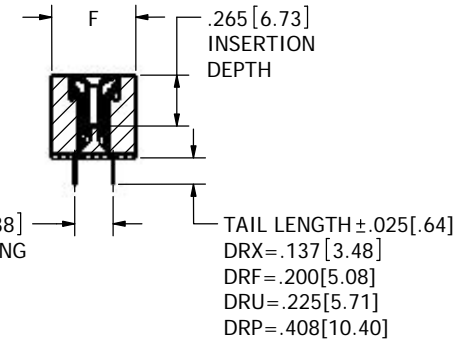
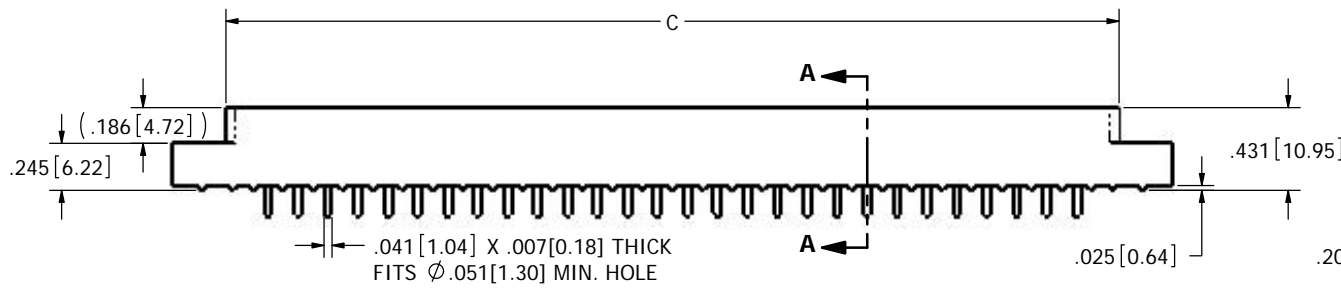
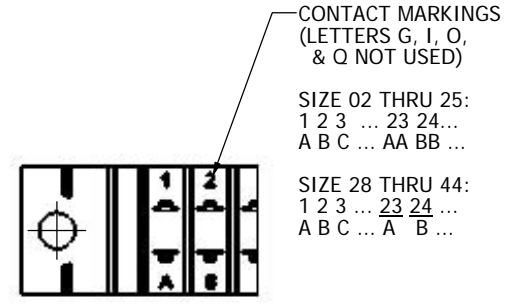
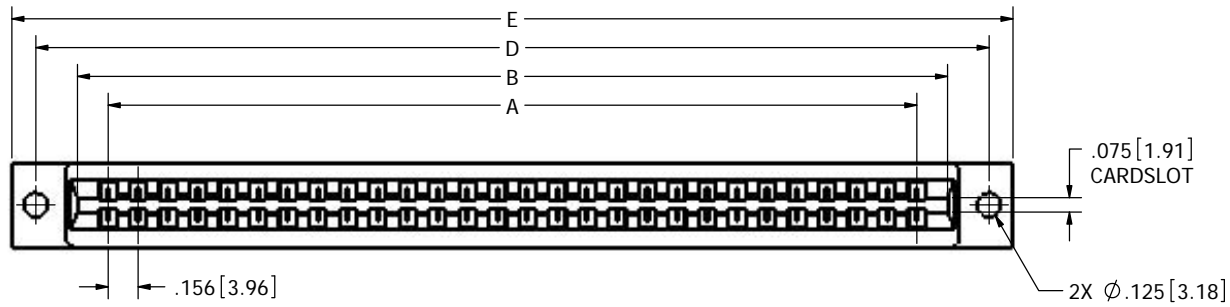
1. MATERIALS:
 - A. INSULATOR: SEE PART NUMBER CODING.
 - B. CONTACT: SEE PART NUMBER CODING.
 - C. PLATING: SEE PART NUMBER CODING.
2. THERMAL:
 - A. OPERATING TEMPERATURE: SEE PART NUMBER CODING.
 - B. PROCESSING TEMP: SEE PART NUMBER CODING.
 - C. UL FLAMMABILITY RATING: 94V-0.
3. ELECTRICAL:
 - A. DIELECTRIC WITHSTANDING VOLTAGE: MATED CONNECTOR MUST EXHIBIT NO EVIDENCE OF BREAKDOWN, FLASHOVER, OR DETERIORATION FROM AN APPLIED VOLTAGE OF 950 VAC (VALUE HAS BEEN DE-RATED), RMS 60 Hz WHEN TESTED IN ACCORDANCE WITH MIL-STD-1344, METHOD 3001. DURATION OF APPLICATION SHALL BE 5 SECS MIN.
 - B. INSULATION RESISTANCE (IR): 5,000 MEGOHMS @ 500 VOLTS ±10% WHEN TESTED IN ACCORDANCE WITH MIL-STD-1344, METHOD 3003 @ 25°C.
 - C. CONTACT RESISTANCE: 30 MILLIOHM MAX AT RATED CURRENT WHEN TESTED PER MIL-STD-202, METHOD 307 @ 25°C ±3°C.
 - D. CURRENT RATING: SEE PART NUMBER CODING.
4. MECHANICAL:
 - A. CONNECTOR IDENTIFICATION: THE PART SHALL BE MARKED WITH A LOT CODE AS A MINIMUM. IF SPACE PERMITS ALSO MARK PART WITH SULLINS WEBSITE, AND PART NUMBER.
 - B. DURABILITY: 500 CYCLES MINIMUM.
 - C. BOARD THICKNESS ACCOMMODATED: .062 ± .008"
 - D. BOARD INSERTION FORCE: 16 OZ MAX PER CONTACT PAIR WHEN USING A .062" TEST BLADE. INTERNAL INSPECTION TO BE PER SULLIN'S WORK INSTRUCTION W17.3-01.
 - E. BOARD WITHDRAWAL FORCE: 1 OUNCE MINIMUM PER CONTACT PAIR USING .062" PCB.



RoHS COMPLIANT

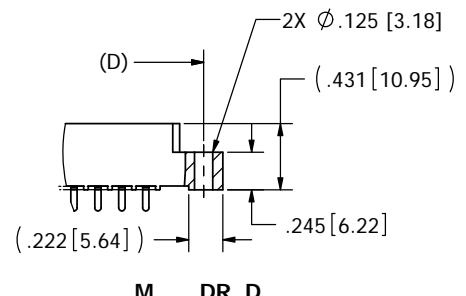
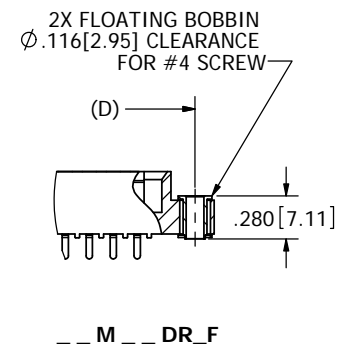
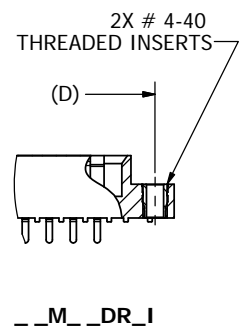
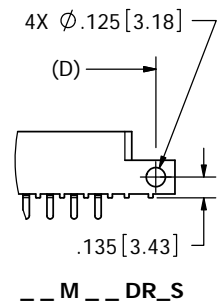
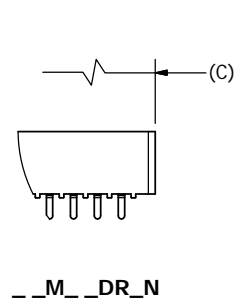
CUSTOMER COPY

UNLESS OTHERWISE SPECIFIED: DIMENSIONS ARE IN INCHES[MM] TOLERANCES: ANGULAR: ± 30' XX ± .02 [508] XXX ± .005 [1270] XXXX ± .0005 [0127] SURFACE FINISH: 63 Ra REMOVE ALL BURRS AND SHARP EDGES .010 MAX		DATE: 2/2/2007 NAME: MV	
THE INFORMATION HEREIN CONTAINS PROPRIETARY INFORMATION OF SULLINS ELECTRONICS AND IS NOT TO BE REPRODUCED, USED OR DISCLOSED TO OTHERS FOR ANY PURPOSE EXCEPT AS SPECIFICALLY AUTHORIZED IN WRITING BY AN OFFICER OF SULLINS ELECTRONICS.		DESCRIPTION: EDGE CARD, .156 CC, LP	
INTERPRET DIMENSIONS AND GEOMETRIC TOLERANCING PER: ANSI Y14.5M-1994		SIZE: C	PART NUMBER: M DR DWG. NO: C10889 REV: E
		SCALE: 2:1	SHEET 1 OF 3



--M--DR_H

SECTION A-A



--M--DR_N

--M--DR_S

--M--DR_I

--M--DR_F

--M--DR_D

MOUNTING STYLES

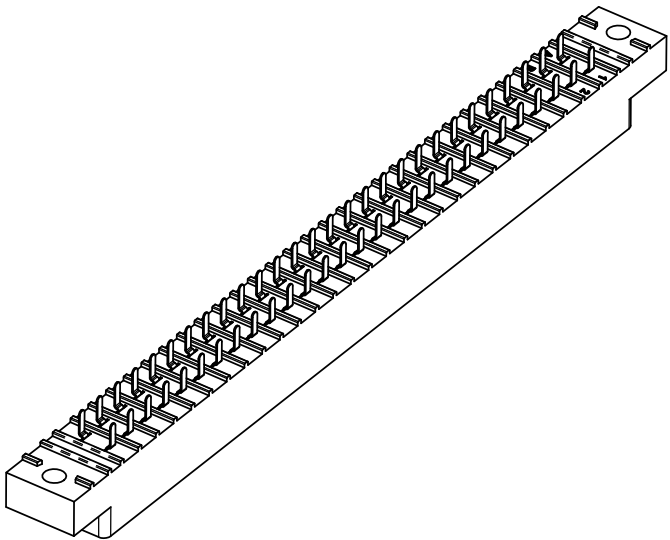
CUSTOMER COPY



SULLINS CONNECTOR SOLUTIONS	
DESCRIPTION EDGE CARD, .156 CC, LP	
PART NUMBER M DR	
SIZE C	DWG. NO. C10889
SCALE: 2:1	REV E
SHEET 2 OF 3	

Only applies for
PPS/PEEK
insulators with
threaded inRXrts
or floats

PART NUMBER	NO. OF POS.	A ± .008[0.20]		B ± .008[0.20]		C ± .015[0.38]		D ± .010[0.25]		E ± .020[0.51]		E ± .020[0.51]		F ± .005[0.13]			
		IN	MM	IN	MM	IN	MM	IN	MM	IN	MM	IN	MM	IN	MM		
__M02D__N	2	0.156	3.96	0.476	12.09	0.596	15.14	"N" MOUNTING								0.325	8.26
__M03D__N	3	0.312	7.92	0.632	16.05	0.752	19.10										
__M06D__	6	0.780	19.81	1.100	27.94	1.220	30.99	1.533	38.94	1.782	45.26	1.882	47.80	0.438	11.13		
__M08D__	8	1.092	27.74	1.412	35.86	1.532	38.91	1.845	46.86	2.094	53.19	2.194	55.73				
__M10D__	10	1.404	35.66	1.724	43.79	1.844	46.84	2.157	54.79	2.406	61.11	2.506	63.65				
__M11D__	11	1.560	39.62	1.880	47.75	2.000	50.80	2.313	58.75	2.562	65.07	2.662	67.61				
__M12D__	12	1.716	43.59	2.036	51.71	2.156	54.76	2.469	62.71	2.718	69.04	2.818	71.58				
__M15D__	15	2.184	55.47	2.504	63.60	2.624	66.65	2.937	74.60	3.186	80.92	3.286	83.46				
__M18D__	18	2.652	67.36	2.972	75.49	3.092	78.54	3.405	86.49	3.654	92.81	3.754	95.35				
__M22D__	22	3.276	83.21	3.596	91.34	3.716	94.39	4.029	102.34	4.278	108.66	4.378	111.20				
__M24D__	24	3.588	91.14	3.908	99.26	4.028	102.31	4.341	110.26	4.590	116.59	4.690	119.13				
__M25D__	25	3.744	95.10	4.064	103.23	4.184	106.27	4.497	114.22	4.746	120.55	4.846	123.09				
__M28D__	28	4.212	106.98	4.532	115.11	4.652	118.16	4.965	126.11	5.214	132.44	5.314	134.98	0.500	12.70		
__M36D__	36	5.460	138.68	5.780	146.81	5.900	149.86	6.213	157.81	6.462	164.13	6.562	166.67				
__M43D__	43	6.552	166.42	6.872	174.55	6.992	177.60	7.305	185.55	7.554	191.87	7.654	194.41	0.500	12.70		
__M44D__	44	6.708	170.38	7.028	178.51	7.148	181.56	7.461	189.51	7.710	195.83	7.810	198.37				



CUSTOMER COPY



RoHS COMPLIANT

SULLINS CONNECTOR SOLUTIONS	
DESCRIPTION EDGE CARD, .156 CC, LP	
PART NUMBER M_DR	
SIZE C	DWG. NO. C10889
REV E	
SCALE: 2:1	SHEET 3 OF 3