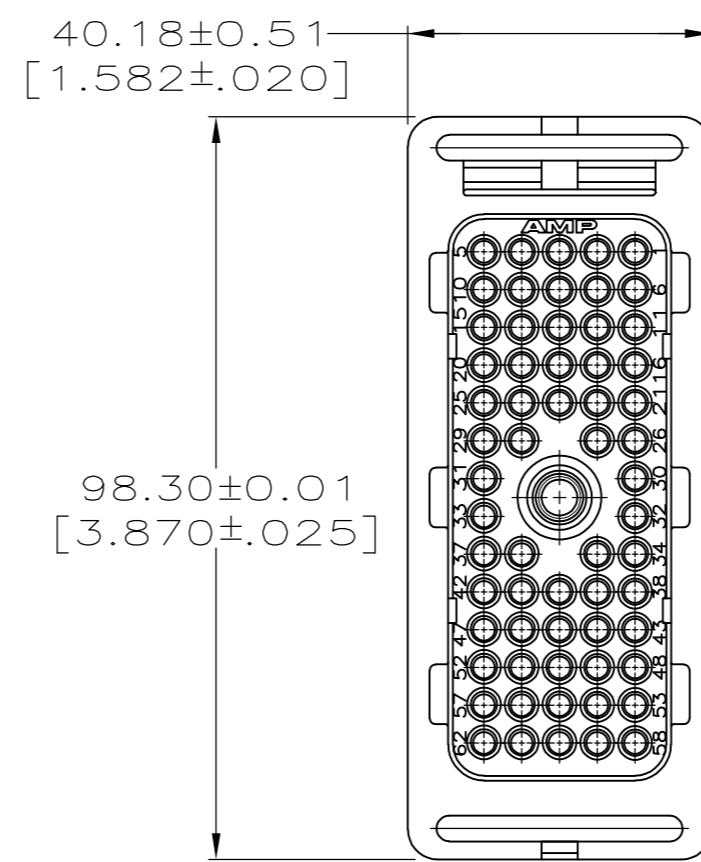
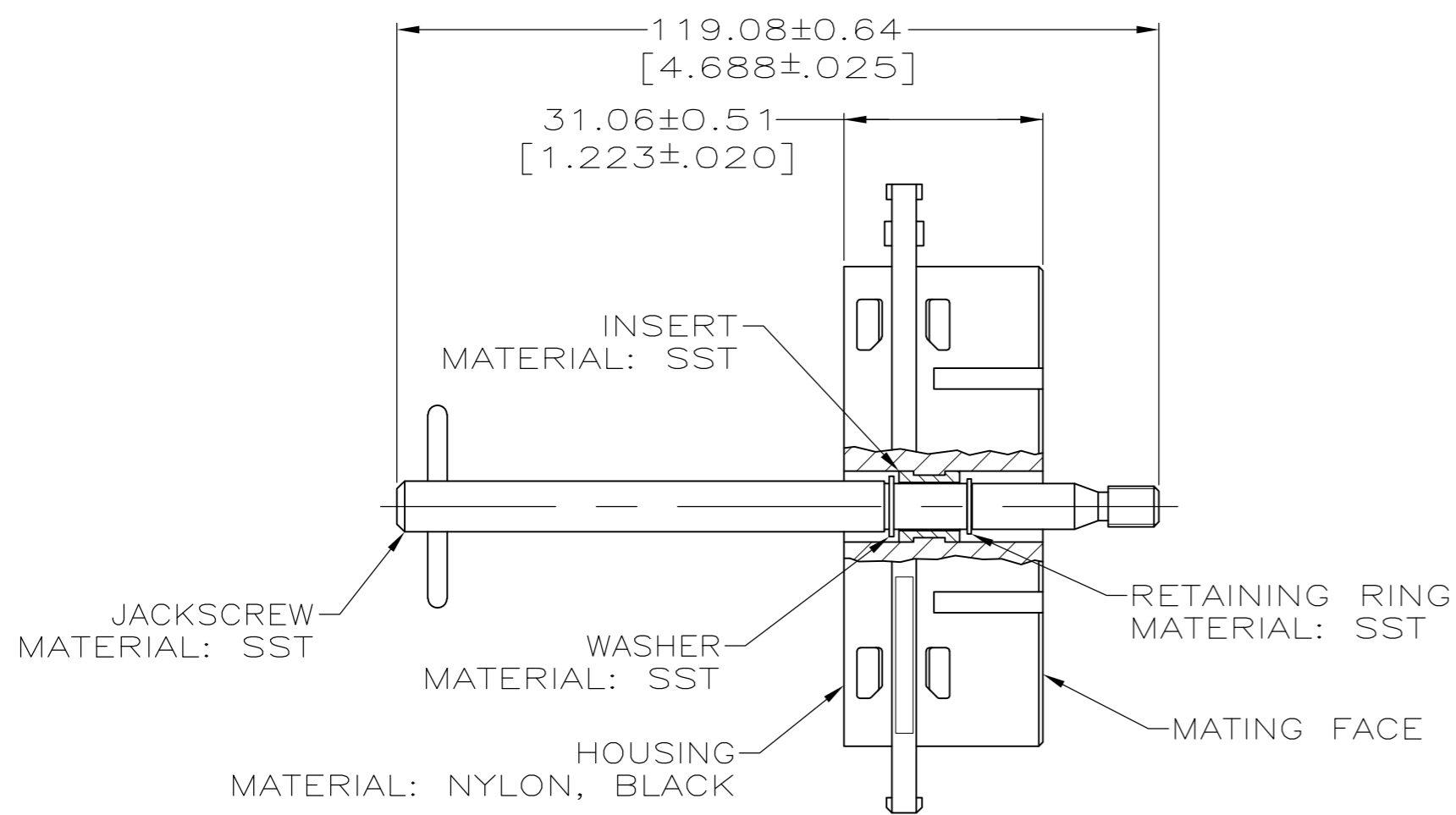
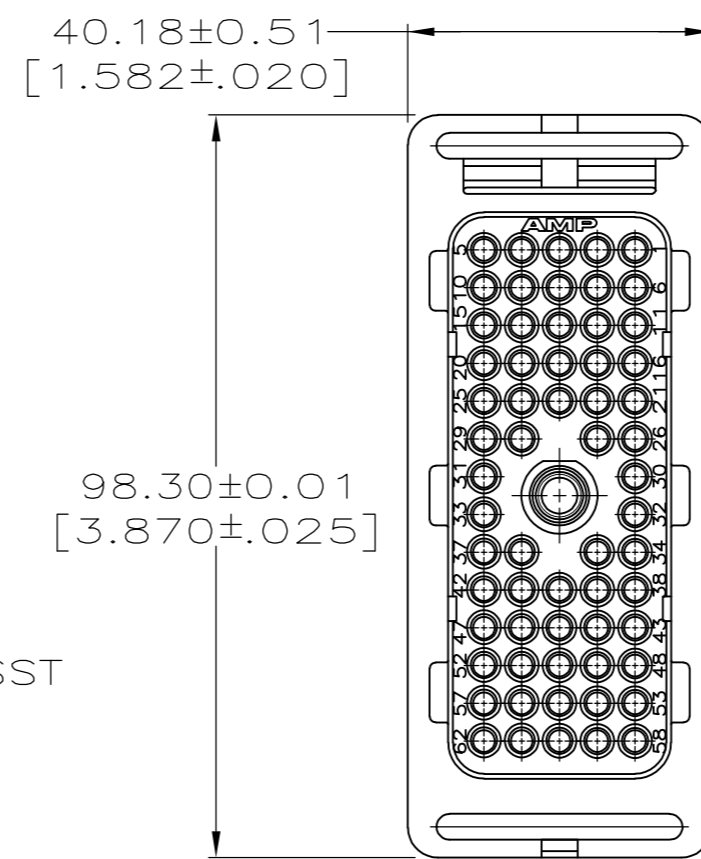
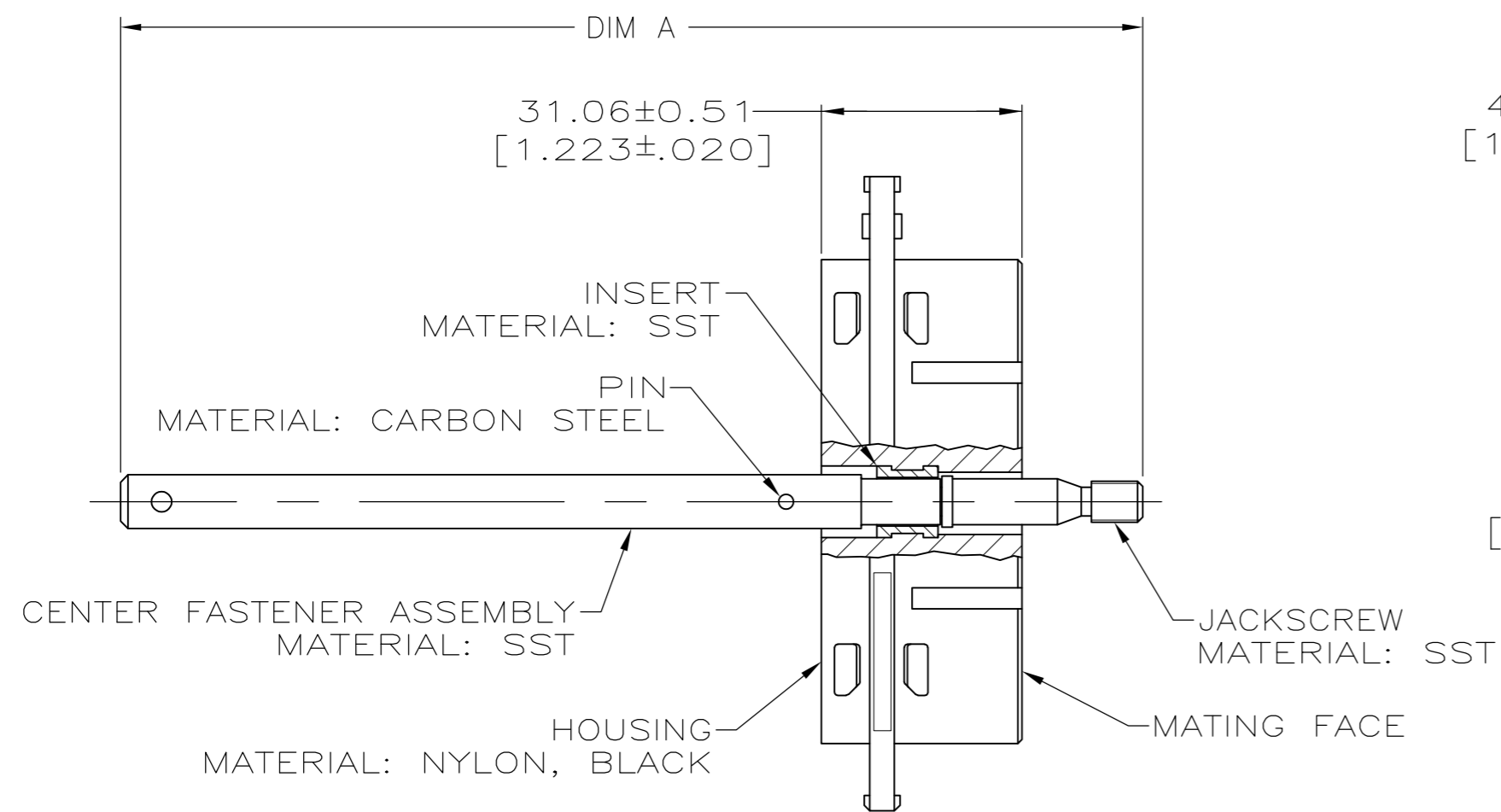


THIS DRAWING IS UNPUBLISHED. RELEASED FOR PUBLICATION  
 © COPYRIGHT BY TYCO ELECTRONICS CORPORATION. ALL INTERNATIONAL RIGHTS RESERVED.

LOC	DIST	REVISIONS					
FT	0	P	LTR	DESCRIPTION	DATE	DWN	APVD
		M		REVISED PER ECO-10-020308	06JAN11	HMR	MG



208334-1



208334-2, -3, -4,  
-5 & -6

SUPERCEDED BY -6	158.12±0.64 [6.225±.025]	208334-6
OBSOLETE	158.12±0.64 [6.225±.025]	208334-5
SUPERCEDED BY -5	158.12±0.64 [6.225±.025]	208334-4
OBSOLETE	149.99±0.64 [5.905±.025]	208334-3
SUPERCEDED BY -5	158.12±0.64 [6.225±.025]	208334-2
OBSOLETE	-	208334-1
	DIM A	PART NO

THIS DRAWING IS A CONTROLLED DOCUMENT.		DWN L. SIPE 09/03/92	Tyco Electronics Corporation Harrisburg, PA 17105-3608	
DIMENSIONS: INCHES		CHK W.G. LENKER 09/08/92		
TOLERANCES UNLESS OTHERWISE SPECIFIED:		APVD A. TRAVIS 09/08/92	NAME	
0 PLC ± - 1 PLC ± - 2 PLC ± - 3 PLC ± - 4 PLC ± - ANGLES ± -		PRODUCT SPEC	PLUG ASSEMBLY, 62 POSN, WITH MALE CENTER FASTENER, METRIMATE	
MATERIAL SEE CALLOUTS		FINISH PIN: ZINC PLATED	SIZE A2	CAGE CODE 00779
		WEIGHT -	DRAWING NO C-208334	RESTRICTED TO -
		CUSTOMER DRAWING	SCALE 4:1	SHEET 1 OF 1
			REV M	