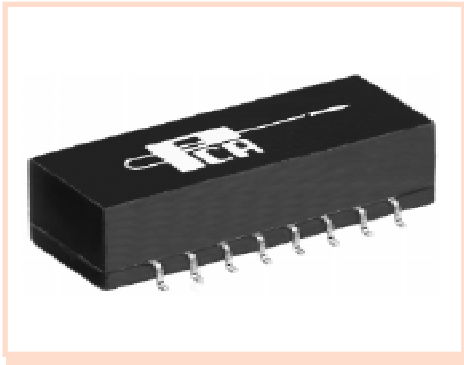


# Low Pass Filter

## EPE6314G



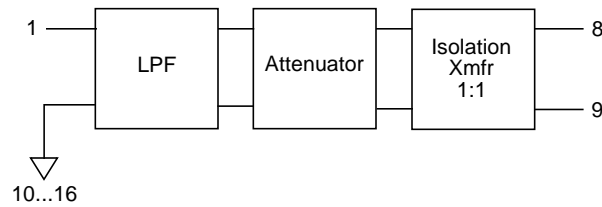
- Robust construction allows for IR/VP processes •
- Available in SMD, DIP and DIL Packages •

### Electrical Parameters @ 25° C

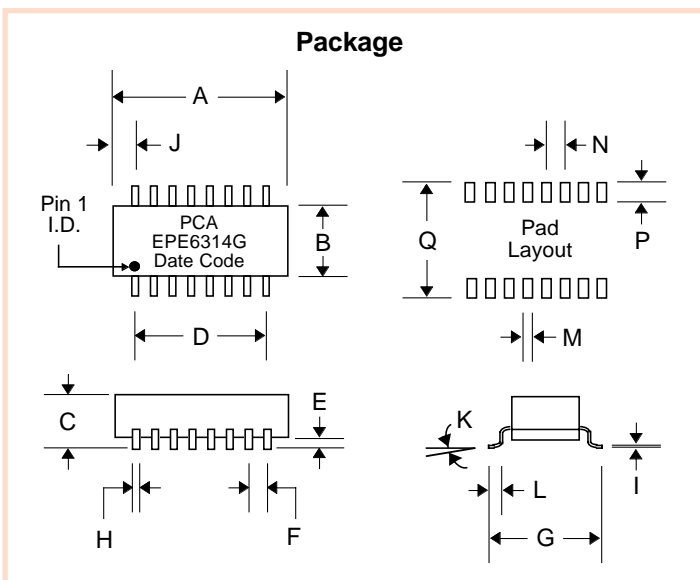
Cut-off Frequency (MHz)	Insertion Loss (dB Max.)	Return Loss (dB Min.)		Attenuation (dB Min.)		Group Delay (nS Max.)
		1 - 30 MHz	42 MHz	60 MHz	70-200 MHz	
(±2 MHz)	1 - 42 MHz	1 - 30 MHz	42 MHz	60 MHz	70-200 MHz	1 - 45 MHz
55	-1	-15	-8	-5	-25	25

• Characteristic Filter Impedance : 50 Ω •

### Schematic



### Package



### Dimensions

Dim.	(Inches)			(Millimeters)		
	Min.	Max.	Nom.	Min.	Max.	Nom.
A	.975	.985	.980	24.77	25.12	24.89
B	.387	.393	.390	9.83	9.96	9.91
C	.223	.243	.233	5.66	6.17	5.92
D	---	---	.700	---	---	17.78
E	.010	.015	.0125	.254	.381	.318
F	---	---	.100	---	---	.254
G	.490	.510	.500	12.45	12.95	12.70
H	.016	.022	.020	.406	.559	.508
I	.008	.012	.010	.203	.304	.254
J	---	---	.140	---	---	3.56
K	0°	8°	---	0°	8°	---
L	.025	.045	.035	.635	1.14	.889
M	---	---	.030	---	---	.762
N	---	---	.100	---	---	2.54
P	---	---	.092	---	---	2.34
Q	---	---	.560	---	---	14.22