

# AFL-15i-HM55/AFL-17i-HM55/AFL-19i-HM55

15"~19" AFOLUX PPC features Intel® Core™ i7/i5/i3 mobile processor with Intel® HM55 chipset

## Key Features

- 15"~19" multi-functional panel PC with touchscreen
- Powered by high performance Intel® mobile Core™ i7/ i5/ i3 and Celeron® processor with Intel® HM55 chipset
- System memory supports DDR3 SDRAM SO-DIMM up to 8 GB
- HDMI interface provides second display with vivid image quality
- 802.11 b/g/n high speed wireless
- Bluetooth V2.1+EDR
- Dual gigabit Ethernet
- Versatile mounting solution: panel/wall/rack/stand mounting
- IEI One Key Recovery solution allows you to create rapid OS backup and recovery



Intel® i3/i5/i7  
with DDR3



## High-end Audio and Video Performance



### Performance Leadership

- Arrandale on 32nm Processor
- Introduces DDR3 Support (800/1066)
- Enhanced Graphics Engine (Gen 5.7)

### Increased Integration

- Full HD HW Acceleration
- Dedicated High Definition Display Interface (HDMI)



### Dual Channel DDR3 Support up to 8 GB



Information



Digital Signage



KIOSK



Internet KIOSK

## AFOLUX PPC Mobile Chipset Transition

The AFOLUX PPC *i* series features 2010 new Intel® Core™ processor with HM55 chipset. Advanced technologies like Hyper-Threading Technology and an integrated graphics core increase in graphics core effectiveness providing outstanding audio/video and processing performance.

	2008	2009	2010
<b>Platform</b>	Merom in Santa Rosa (GME965)	Penryn in Montevina (GM45)	Arrandale in Calpella (HM55)
<b>CPU</b>	Intel® Core™ 2 Duo Intel® Core™ 2 Duo LV Intel® Celeron® M	Intel® Core™ 2 Duo Intel® Core™ 2 Duo LV Intel® Core™ 2 Duo ULV Intel® Celeron® M Intel® Celeron® M ULV	Socket G1 for Intel® mobile Core™ i7/ i5/ i3 and Celeron® processor
<b>Chipset</b>	ICH8M-E	ICH9M	HM55
<b>FSB</b>	667/800 MHz	1066/800/667 MHz	N/A
<b>TDP</b>	35 W	17.5 W~47 W (CPU + GM45/GS45)	15~37W
<b>Supported Memory</b>	DDR2 667/800 (system max. 4 GB)	DDR2 667/800 (system max. 4 GB)	Two 204-pin 4 GB (max.) 800/1066 MHz dual-channel DDR3 SDRAM SO-DIMM supported (System max. 8 GB)
<b>Graphics Cores</b>	Gen 4.0	Gen 5.5 with 10 Execution Units DirectX10, Open GL 2.0	Gen 5.7 with 12 Execution Units DirectX10, Open GL 2.1
<b>Second Display Interface</b>	VGA	VGA, HDMI	VGA, HDMI
<b>Intel® Active Management Technology (Intel™ AMT)</b>	2.5	4	No

# New Intel® Core™ i Solution



Generation	Pentium® M		Core™ Duo / Solo		Core™2 Duo		Core i	
Process	130 nm	90 nm	65 nm				45 nm	32 nm
FSB	400 MHz	533 MHz / 400 MHz	677 MHz / 533 MHz		800 MHz / 667 MHz	1066 MHz / 800 MHz	N/A	
Architecture	<b>Banias</b>	<b>Dothan</b>	<b>Yonah</b>	<b>Napa Refresh</b>	<b>Santa Rosa</b>	<b>Penryn</b>	<b>Arrandale</b>	
	<b>Socket 479</b>	<b>Socket 479</b>	<b>Socket M</b>	<b>Socket M</b>	<b>Socket P</b>	<b>Socket P</b>	<b>Socket G1</b>	
TDP	24.5 W	21 W	31 W	34 W	35 W	35 W	37W	
Platform								
	<b>852GM   855GM</b>	<b>915GME</b>	<b>945GME</b>		<b>GME965</b>	<b>GM45</b>	<b>HM55</b>	

## Software OSD Utility

IEI patented system software settings utility allows users to adjust system settings from software under Windows environment instead of adjustment from the membrane keypad below the front panel.



**Volume**

Auto-Emmiting On Off Volume Backlight

**Mute**

Auto-Emmiting On Off Volume Backlight

**Brightness**

Auto-Emmiting Volume On Backlight

## Selectable AT/ATX Power



### Remote Control AT Mode

The power is controlled by a central power unit rather than a power switch. The system turns on automatically when the power is connected.

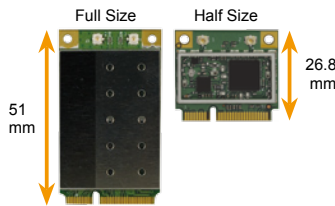
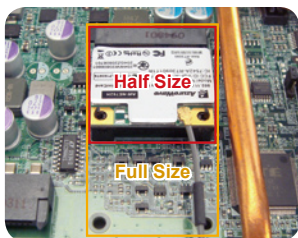
- Easy to turn on/off with wall/panel mounting
- Automatic start when power connected

### Remote Control ATX Mode

With the ATX mode selected, the system series panel PC goes in a standby mode when it is turned off. The panel PC can be easily turned on via network or a power switch in standby mode.

- Power management
- Remote control via network advantage

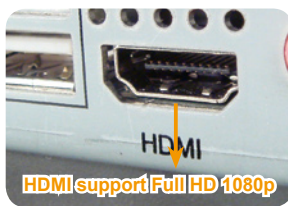
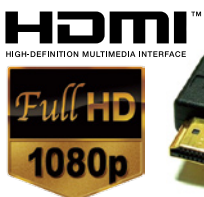
## Comprehensive Wireless Network



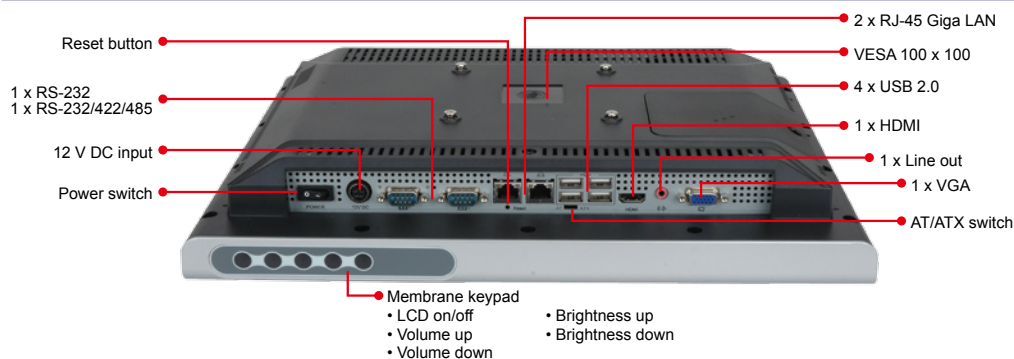
The wireless mini card is complied with IEEE 802.11b/g/n standards and operates on 2.4 GHz and 5 GHz frequencies. It can be used to provide up to 300 Mbps for IEEE 802.11n draft 2.0, or 54 Mbps for IEEE 802.11g, or 11 Mbps for IEEE 802.11b to connect your wireless LAN.

## HDMI Port Delivers the High Image Quality on the Second Display

High-Definition Multimedia Interface (HDMI) which is a compact audio/video interface for transmitting uncompressed digital data delivering high-definition video support 1080p resolution which equates to 1,920x1,080 pixels, it also supports industry standard EIA-861B video modes including 480p, 720p, 1080i, and 1080p



## I/O Interface



### Easily Accessible HDD and CF Card

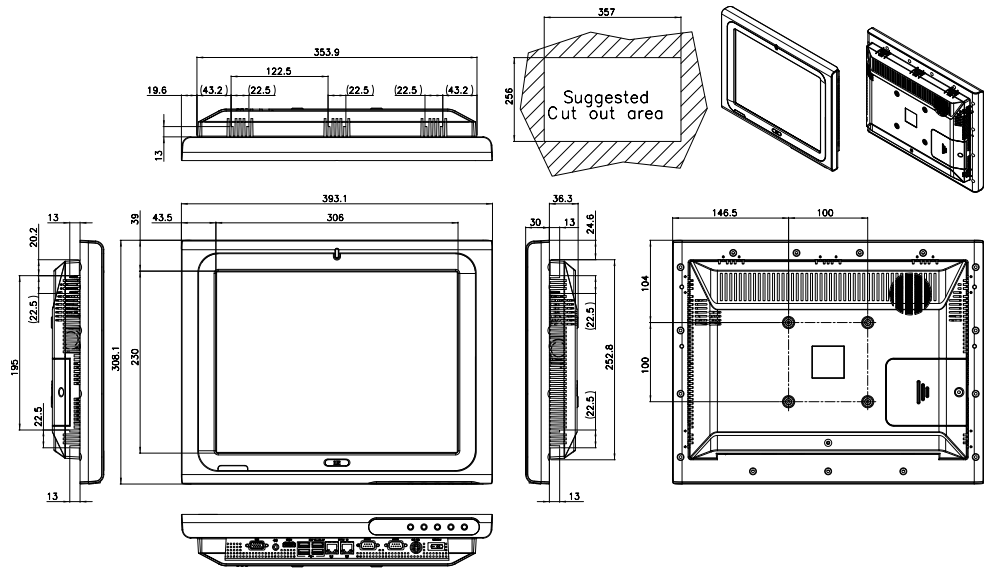


## Specifications

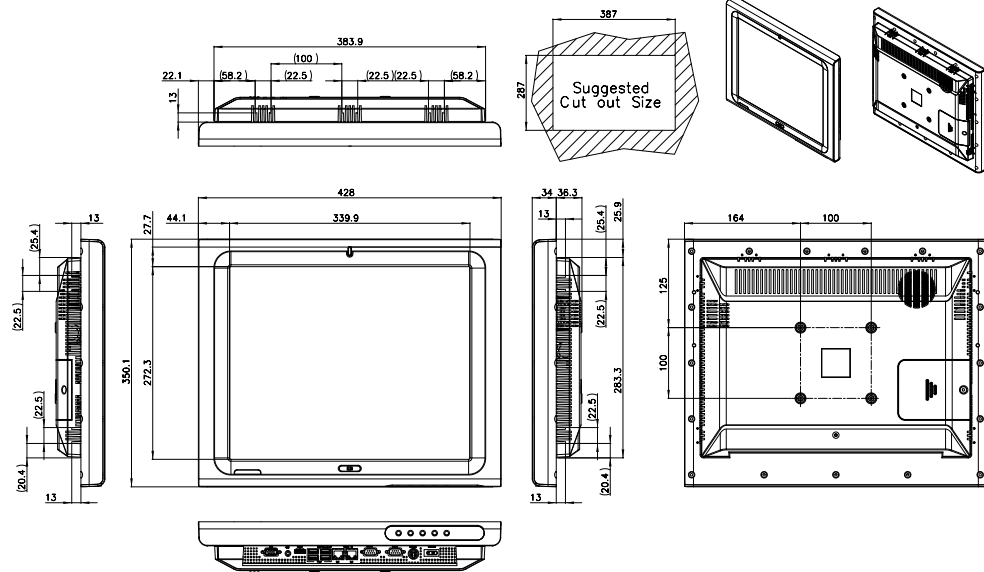
Model	AFL-15i(E)-HM55	AFL-17i-HM55	AFL-19i-HM55
<b>LCD/Touch Specifications</b>			
LCD Size	15"	17"	19"
Max. Resolution	1024 x 768	1280 x 1024	1280 x 1024
Brightness (cd/m <sup>2</sup> )	350 or 250	350	450
Contrast Ratio	700:1 or 450:1	800 : 1	1000:1
LCD Color	262K or 16.7 M	16.7 M	16.7 M
Pixel Pitch (mm)	0.297(H) x 0.297(V)	0.264 (H) x 0.264 (V)	0.294(H) x 0.294(V)
Viewing Angle (H-V)	140°/125° or 120°/100°	160° / 160°	178° / 178°
Backlight MTBF	50000 hrs or 40000 hrs	50000 hrs	50000 hrs
Touch Screen	Resistive Type 5-wire (Touch controller IC is on board) or capacitive type touch screen without HDD bay		
<b>System</b>			
SBC Model	AFLMB2-HM55-R10		
CPU	Socket G (PGA989) Intel® Arrondale processor		
Chipset	Intel® HM55		
RAM	Two 204-pin 800/1066 DDR3 dual-channel SO-DIMMs supported (system max. 8 GB)		
I/O Ports	1 x RS-232 COM Port 1 x RS-232/422/485 COM Port 2 x RJ-45 for Giga LAN 4 x USB 2.0 1 x Power Switch 1 x Reset Button 1 x Audio Port (Line-Out) 1 x VGA 1 x Power Jack 1 x HDMI Port		
SSD	SATA SSD		
Watchdog Timer	Software programmable supports 1~255 sec. system reset		
Audio	AMP 3 W + 3 W (internal speaker)		
Expansion	1 x wireless Lan 802.11 b / g / n module (internal PCIe mini card interface) 1 x Bluetooth function (internal USB interface, Bluetooth V2.1+EDR)		
Drive Bay	1 x 2.5" SATA HDD bay		
Membrane Keypad	LCD on/off, brightness up/down, volume high/low (5 keys)		
LED Function	1 x Power on/off LED on front panel		
<b>Wireless</b>			
Wireless	1 x Wireless LAN 802.11 b/g/n module (internal PCIe mini card interface)		
Optional HSPA Module (support GSM 850, EGSM 900, DCS 1800 & 1900)	1 x HSPA mobile module (USB interface)		
Bluetooth	Bluetooth V2.1+EDR		
<b>Physical</b>			
Construction Front Panel	ABS + PC plastic front frame		
Mounting	Panel, Wall, Rack, Stand and Arm VESA 100 mm x 100 mm		
Front Panel Color	Sliver (877U) & Gray (ABSA2037)		
Dimensions (WxHxD) (mm)	394 x 309 x 75	428 x 350 x 76	470 x 383 x 79
<b>Environment</b>			
Operation Temperature (°C)	0°C ~ 50°C		
Storage Temperature (°C)	-20°C ~ 60°C		
Weight (N/G)	5.8 Kg	6.0 Kg	6.2 Kg
IP Level	Front frame IP64		
Safety & EMC	CE / FCC / CB / CCC		
<b>Power</b>			
Power Adapter	P/N: 63000-FSP096AHB-RS 96 W Power adapter Input: 90 VAC~264 VAC, 50/60 Hz Output: 12 VDC		
Power Requirement	12 VDC		
Power Consumption	80 W	85 W	87 W

# Dimensions (Unit: mm)

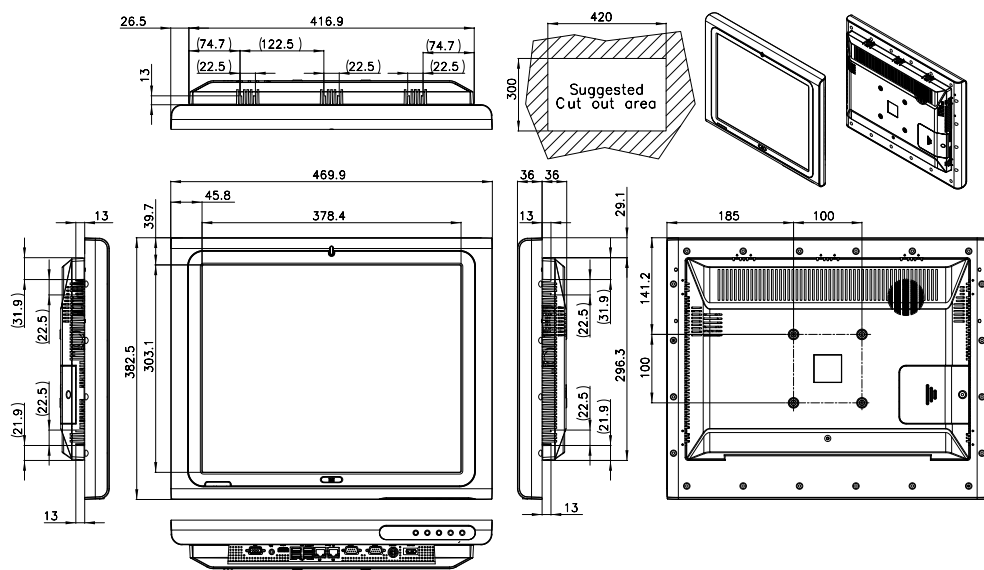
## AFL-15i-HM55



## AFL-17i-HM55



## AFL-19i-HM55



## Ordering Information

15" Regular Luminance (250cd/m <sup>2</sup> )	AFL-15iE-HM55i3-33/R/2G-R10	15" 250cd/m <sup>2</sup> XGA panel PC with Intel® Core™ i3-330M 2.26G CPU, 2GB DDR3 RAM, 802.11 b/g/n wireless module, touch screen, bluetooth, RoHS
	AFL-15iE-HM55i5-52/R/2G-R10	15" 250cd/m <sup>2</sup> XGA panel PC with Intel® Core™ i5-520M 2.4G CPU, 2GB DDR3 RAM, 802.11 b/g/n wireless module, touch screen, bluetooth, RoHS
	AFL-15iE-HM55i7-62/R/2G-R10	15" 250cd/m <sup>2</sup> XGA panel PC with Intel® Core™ i7-620M 2.66G CPU, 2GB DDR3 RAM, 802.11 b/g/n wireless module, touch screen, bluetooth, RoHS
	AFL-15iE-HM55-P45/R/1G-R10	15" 250cd/m <sup>2</sup> XGA panel PC with Intel® Celeron P4500 1.86G CPU, 1GB DDR3 RAM, 802.11 b/g/n wireless module, touch screen, bluetooth, RoHS
15" High Luminance (350cd/m <sup>2</sup> )	AFL-15i-HM55i3-33/R/2G-R10	15" 350cd/m <sup>2</sup> XGA panel PC with Intel® Core™ i3-330M 2.26G CPU, 2GB DDR3 RAM, 802.11 b/g/n wireless module, touch screen, bluetooth, RoHS
	AFL-15i-HM55i5-52/R/2G-R10	15" 350cd/m <sup>2</sup> XGA panel PC with Intel® Core™ i5-520M 2.4G CPU, 2GB DDR3 RAM, 802.11 b/g/n wireless module, touch screen, bluetooth, RoHS
	AFL-15i-HM55i7-62/R/2G-R10	15" 350cd/m <sup>2</sup> XGA panel PC with Intel® Core™ i7-620M 2.66G CPU, 2GB DDR3 RAM, 802.11 b/g/n wireless module, touch screen, bluetooth, RoHS
	AFL-15i-HM55P-P45/R/1G-R10	15" 350cd/m <sup>2</sup> XGA panel PC with Intel® Celeron P4500 1.86G CPU, 1GB DDR3 RAM, 802.11 b/g/n wireless module, touch screen, bluetooth, RoHS
17" High Luminance (350cd/m <sup>2</sup> )	AFL-17i-HM55i3-33/R/2G-R10	17" 350cd/m <sup>2</sup> SXGA panel PC with Intel® Core™ i3-330M 2.26G CPU, 2GB DDR3 RAM, 802.11 b/g/n wireless module, touch screen, bluetooth, R10, RoHS
	AFL-17i-HM55i5-52/R/2G-R10	17" 350cd/m <sup>2</sup> SXGA panel PC with Intel® Core™ i5-520M 2.4G CPU, 2GB DDR3 RAM, 802.11 b/g/n wireless module, touch screen, bluetooth, R10, RoHS
	AFL-17i-HM55i7-62/R/2G-R10	17" 350cd/m <sup>2</sup> SXGA panel PC with Intel® Core™ i7-620M 2.66G CPU, 2GB DDR3 RAM, 802.11 b/g/n wireless module, touch screen, bluetooth, R10, RoHS
	AFL-17i-HM55-P45/R/1G-R10	17" 350cd/m <sup>2</sup> SXGA panel PC with Intel® Celeron P4500 1.86G CPU, 1GB DDR3 RAM, 802.11 b/g/n wireless module, touch screen, bluetooth, R10, RoHS
19" High Luminance (450cd/m <sup>2</sup> )	AFL-19i-HM55i3-33/R/2G-R10	19" 450cd/m <sup>2</sup> SXGA panel PC with Intel® Core™ i3-330M 2.26G CPU, 2GB DDR3 RAM, 802.11 b/g/n wireless module, touch screen, bluetooth, R10, RoHS
	AFL-19i-HM55i5-52/R/2G-R10	19" 450cd/m <sup>2</sup> SXGA panel PC with Intel® Core™ i5-520M 2.4G CPU, 2GB DDR3 RAM, 802.11 b/g/n wireless module, touch screen, bluetooth, R10, RoHS
	AFL-19i-HM55i7-62/R/2G-R10	19" 450cd/m <sup>2</sup> SXGA panel PC with Intel® Core™ i7-620M 2.66G CPU, 2GB DDR3 RAM, 802.11 b/g/n wireless module, touch screen, bluetooth, R10, RoHS
	AFL-19i-HM55-P45/R/1G-R10	19" 450cd/m <sup>2</sup> SXGA panel PC with Intel® Celeron P4500 1.86G CPU, 1GB DDR3 RAM, 802.11 b/g/n wireless module, touch screen, bluetooth, R10, RoHS

## Options

Model	AFL-15i-HM55	AFL-17i-HM55	AFL-19i-HM55
Panel Mounting Kit	AFLPK-19B		
Wall Mounting Kit	AFLWK-19 / AFLWK-19B		
Rack Mounting Kit	AFLRK-15B	AFLRK-17B	N/A
ARM	ARM-11-RS, ARM-31-RS		
Stand	STAND-A19, STAND-B19, STAND-C19, STAND-210-R11		
OS: Win XPE	AFLSD-15-HM55-2G-XPE (2 GB SATA SSD module)	AFLSD-17-HM55-2G-XPE (2 GB SATA SSD module)	AFLSD-19-HM55-2G-XPE (2 GB SATA SSD module)
OS: Win	AFLSD-15-HM55-4G-WES7E-R10 (4 GB SATA SSD module)	AFLSD-17-HM55-4G-WES7E-R10 (4 GB SATA SSD module)	AFLSD-19-HM55-4G-WES7E-R10 (4 GB SATA SSD module)
Hybrid Card Reader	AFLP-19AMSI-U		
Magnetic Stripe Reader	AFLP-19AMSR-U		
DC 12 V Input UPS	AUPS-B10-R10 (VESA 100, DC 12 V input, 12 V output 100 W UPS module with 3800 mAh)		
DC 9~36 V Input UPS	AUPS-B20-R10 (VESA 100, DC 9~36 V input, 12 V output 100 W UPS module with 3800 mAh)		

## Packing List

Item	Part Number	Q'ty	Specifications
Power Cord	32000-000002-RS	1	1750 mm; European Standard
Power Adapter	63000-FSP096AHB-RS	1	90~264 V AC Input; 12 V DC Output; 96 W
Utilities CDROM	7B000-000087-RS	1	
Screw Kit	44013-030041-RS	1	
Touch Pen	43125-0002C0-00-RS	1	
Remote Controller	7Z000-8T00320ICP05G-RS	1	