

MICRO SWITCH
a Honeywell Division

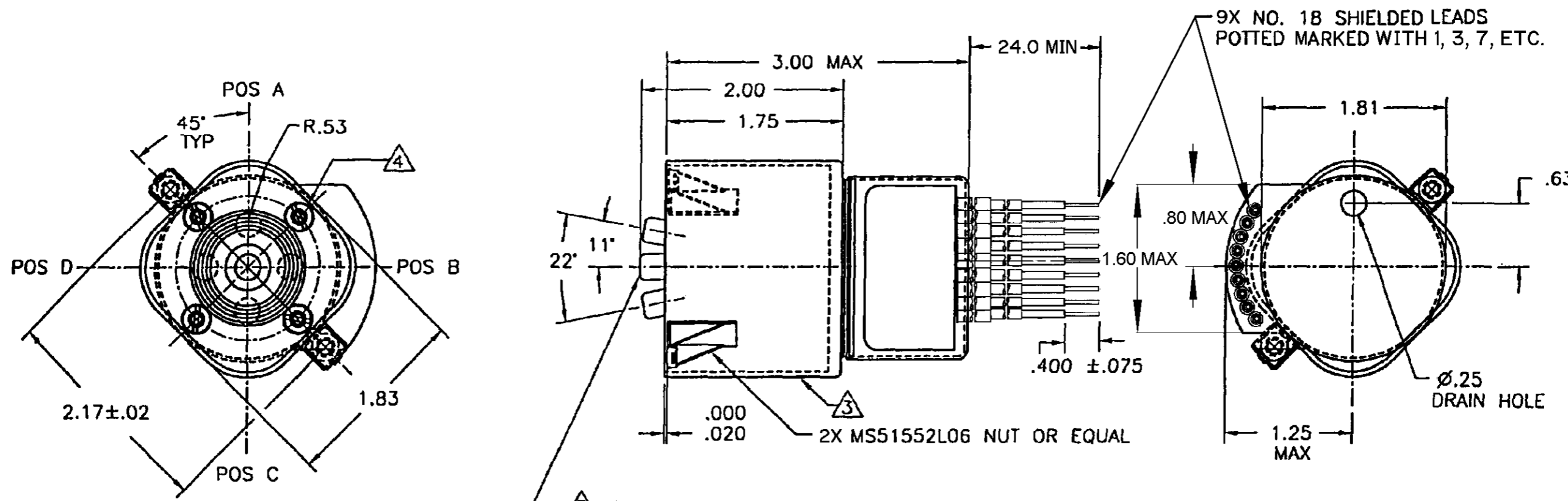
FED. MFG. CODE 91929

SWITCH - ENCLOSED

CATALOG LISTING
4TF3-2

NOTES

- 1 - 6X UNIT INCLUDES CATALOG LISTING 21SX TYPE BASIC SWITCHES
- 2 MOVING TOGGLE IN ONE DIRECTION OPERATES SWITCH OR SWITCHES IN OPPOSITE DIRECTION
- 3 CUP IS WATER TIGHT
- 4 SCREWS SEALED IN PLACE
- 5 - (FOUR MOMENTARY POSITIONS INDICATED BY POS A, POS B, POS C AND POS D)



2 Ø.250 TOGGLE - MOVING TOGGLE IN ONE DIRECTION OPERATES SWITCH IN OPPOSITE DIRECTION

ANSI Y14.5M-1982 APPLIES

THIS DRAWING COVERS A PROPRIETARY ITEM AND IS THE PROPERTY OF MICRO SWITCH, A DIVISION OF HONEYWELL. THIS DRAWING IS NOT TO BE COPIED OR USED WITHOUT THE APPROVAL OF MICRO SWITCH

CHARACTERISTICS
OPERATING FORCE ----- 3 - 5 LBS
TEMPERATURE ----- -67°F TO +160°F

ELECTRICAL DATA	CONTACT ARRANGEMENT	
	28 VDC	115VDC 400CPS
RESISTIVE	5 AMPS	5 AMPS
INDUCTIVE	3 AMPS	5 AMPS
MOTOR		3.3 AMPS

THIRD ANGLE PROJECTION	
SCALE	NONE
DO NOT SCALE PRINT	
UNLESS OTHERWISE SPECIFIED TOLERANCES ARE	
ONE PLACE (.0)	±.030
TWO PLACE (.00)	±.015
THREE PLACE (.000)	±.005
ANGLES	± 2°
WEIGHT	

BAT HANDLE POSITION	CONTACTS CLOSED	WIRING DIAGRAM
A	7 TO 9 10 TO 12	
B	1 TO 3	
C	7 TO 21 10 TO 24	
D	1 TO 15	

CATALOG LISTING
4TF3-2
PAGE 1 OF 1
REPLACES
200008
RELEASE NO.
3
ISSUE
M
REVISIONS
A 200882
DLT 28 JUL 00
B 0010344
KR 12 JAN 05
AK
CHECK
SA V
4 NOV 99
4 NOV 99
FORMTEK
DRAWN
J J A