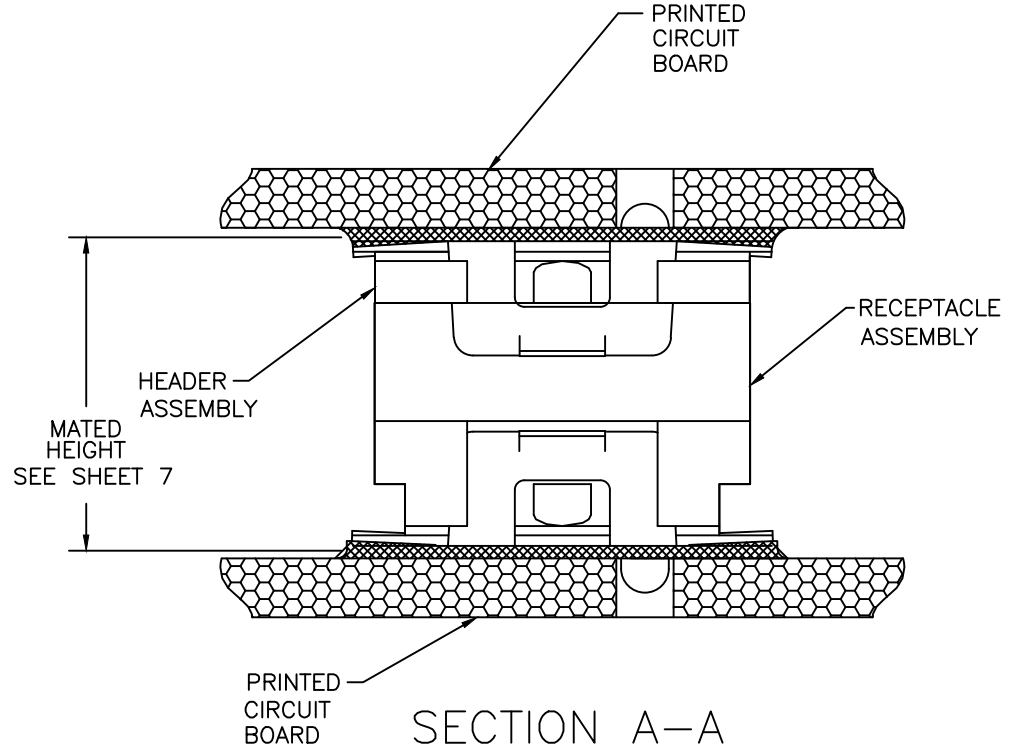
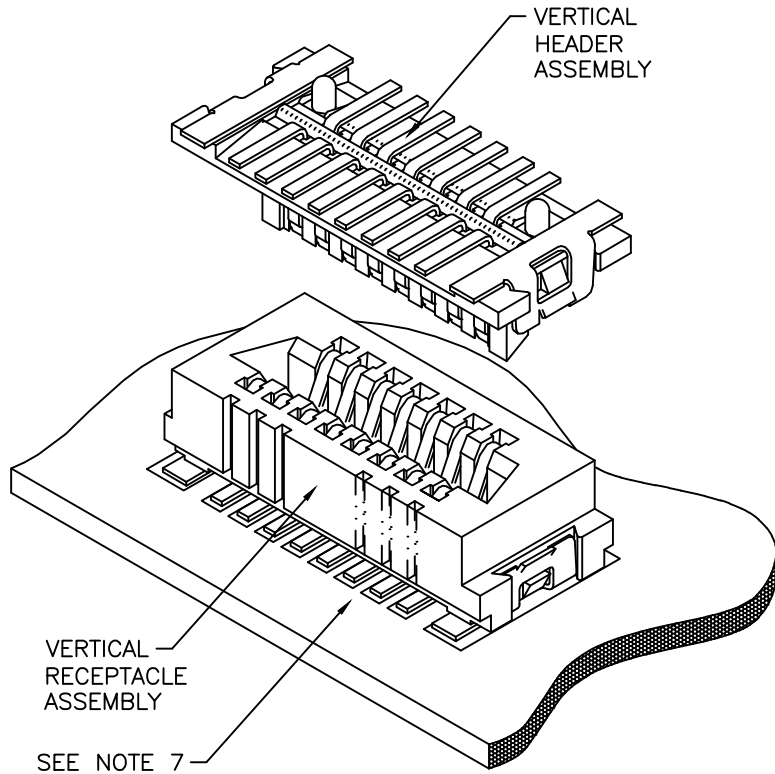


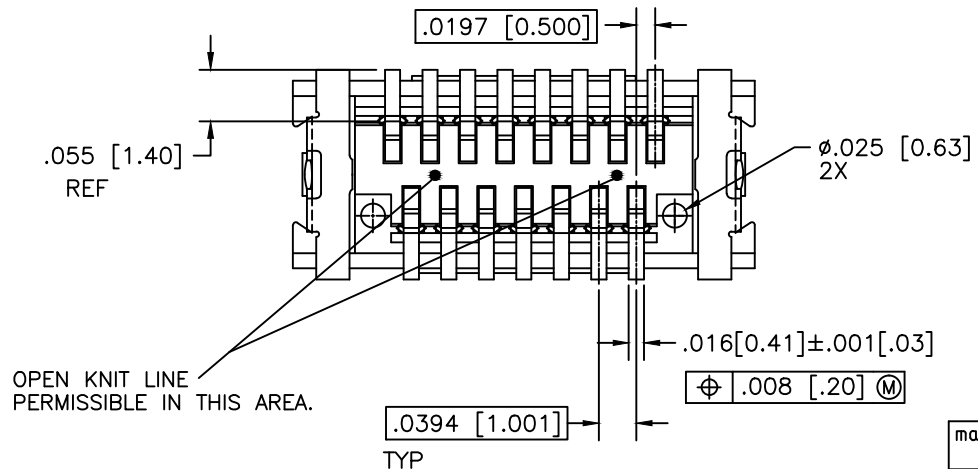
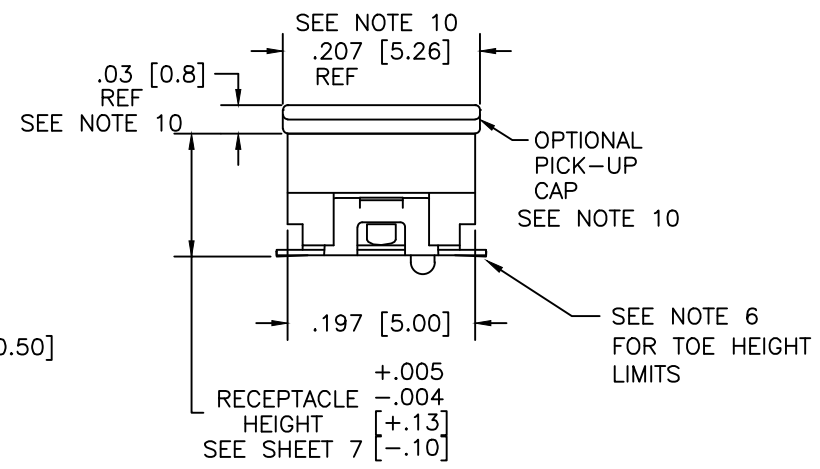
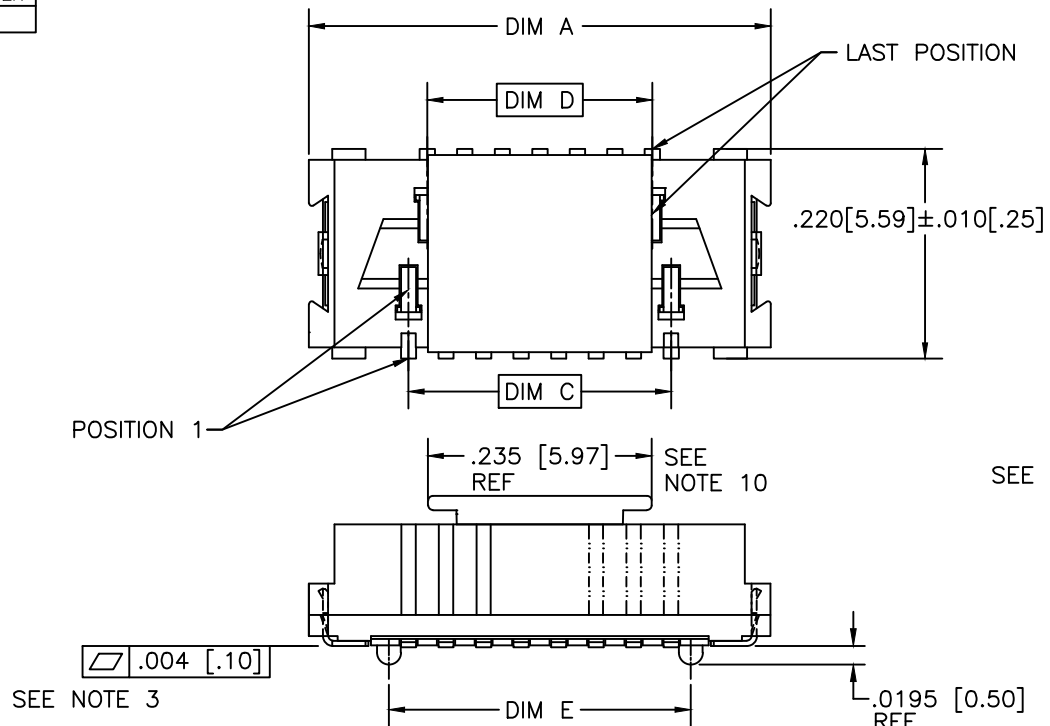
PRODUCT NUMBER  
SEE TABLE



SECTION A-A  
ROTATED 90°  
N.T.S.

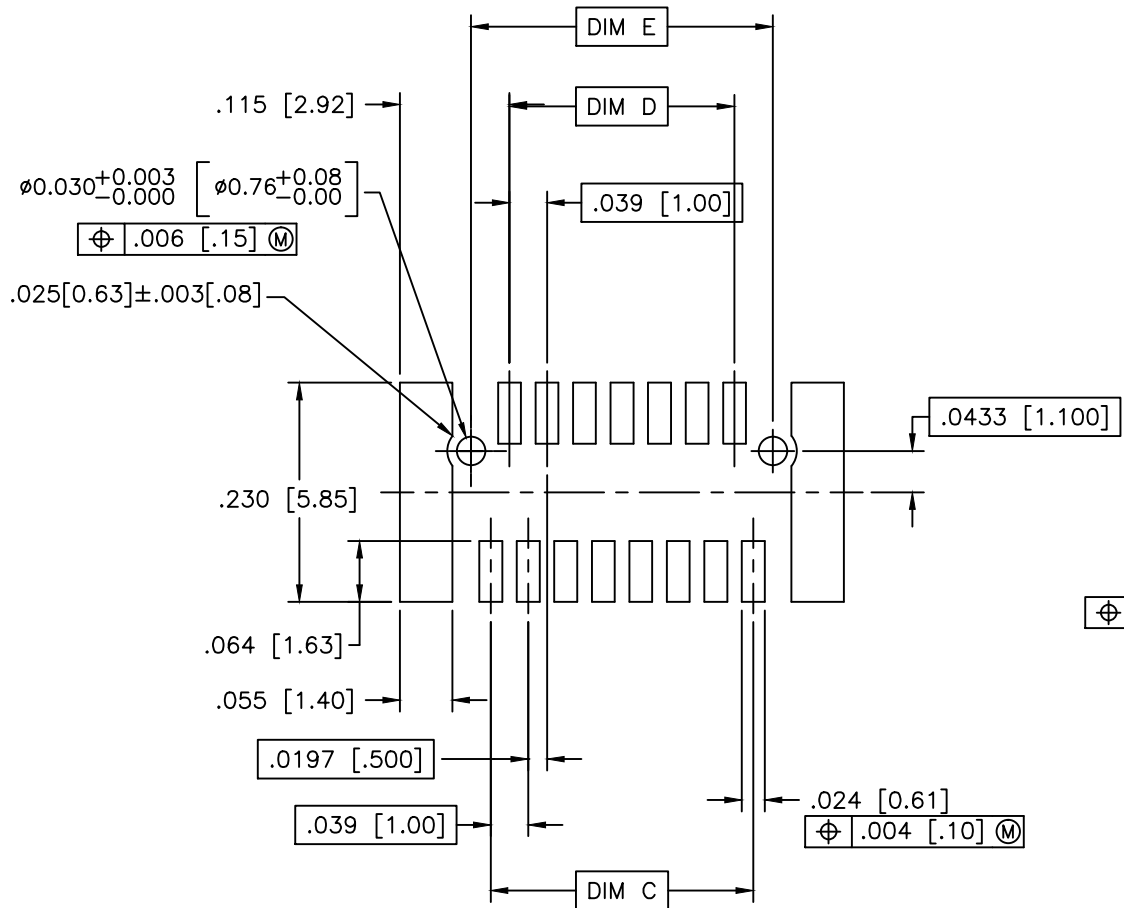
mat'l. code		surface ISO 1302		tolerance ISO 406 ISO 1101		projection 		product family CONAN®		
ltr	ecn no	dr	date	tolerances unless otherwise specified		title		CONAN® CONNECTOR ASSEMBLY		
AG	ELX-N-14208	GM	03/07/13	angles	linear	INCH/MM		dwg no		
-	-	-	-			scale 5:1		sheet 1 of 7 size		
AB	M05-0110	MHT	05/26/05	0'±2'				91900 A3		
AC	M06-0232	AGS	06/12/06	dr	R.SEIPLE	11/13/91	FCJ		type Product Customer Drawing	
AD	M06-0373	MHT	09/26/06	enrg	D.HORCHLER	01/10/92				
AE	M08-0012	AGS	01/11/08	chr	D.HORCHLER	01/10/92				
AF	M08-0287	MHT	10/02/08	appd	D.HORCHLER	01/10/92				
sheet	revision	AG	AG	AG	AG	AG	AG			
index	sheet	1	2	3	4	5	6	7		

PRODUCT NUMBER  
SEE TABLE

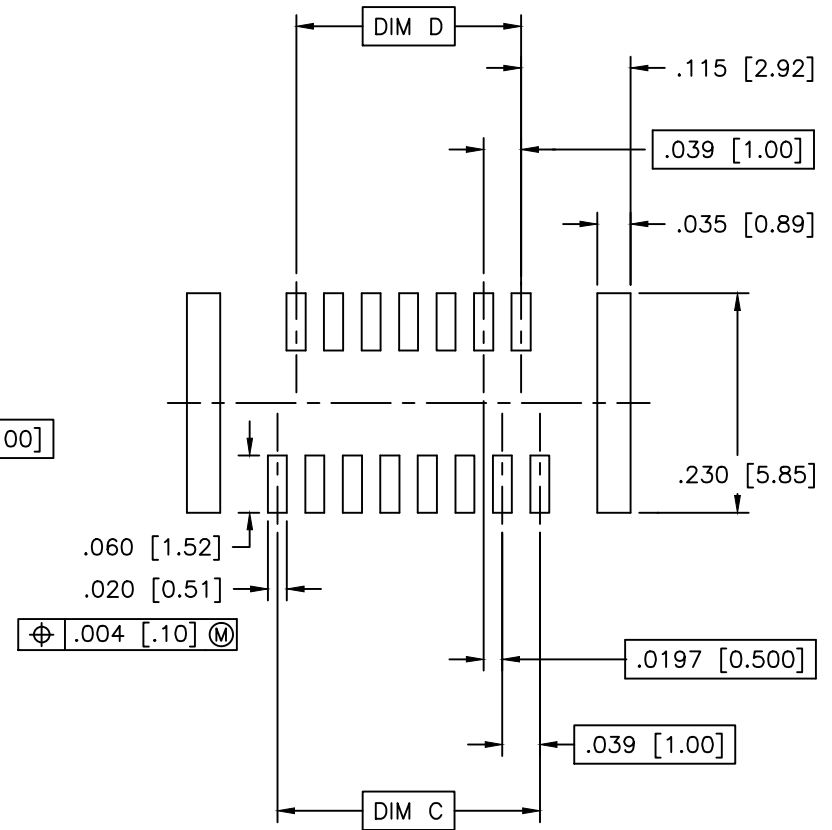


mat'l. code		surface ISO 1302 ✓	tolerance ISO 406 ISO 1101	projection INCH/MM	product family CONAN®
ltr	ecn no	dr	date	tolerances unless otherwise specified	title
AG				linear XX±.01/XX±0.3 XXX±.005/XXX±0.13 XXXX±.0020/XXX±0.051	CONAN® CONNECTOR ASSEMBLY
				0°±2'	scale 5:1
		dr	R.SEIPLE 11/13/91		dwg no 91900 sheet 2 of 7 size A3
		enr	D.HORCHLER 01/10/92		
		chr	D.HORCHLER 01/10/92		
		appd	D.HORCHLER 01/10/92		type Product Customer Drawing
sheet index	revision sheet				

PRODUCT NUMBER  
SEE TABLE



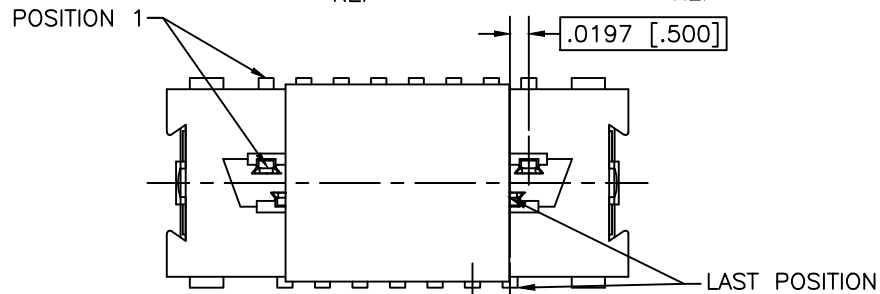
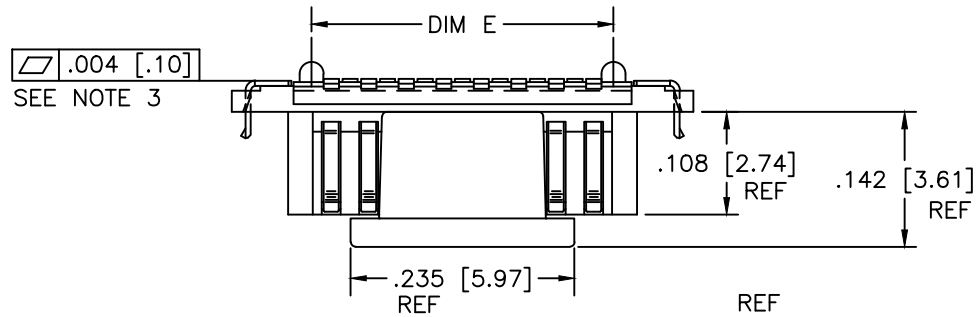
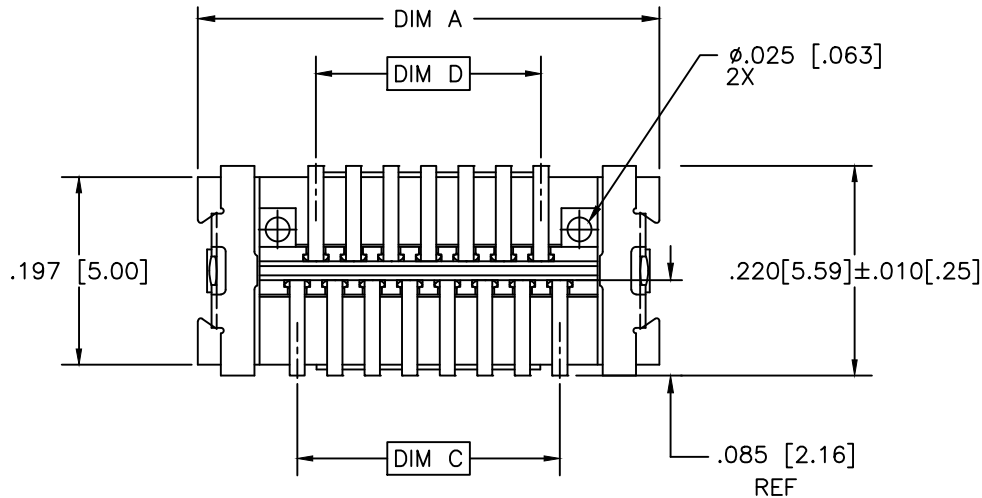
RECOMMENDED  
PAD LAYOUT



RECOMMENDED  
STENCIL LAYOUT  
FOR RECEPTACLE

mat'l. code		surface ISO 1302	tolerance ISO 406 ISO 1101	projection 	product family CONAN®
ltr	ecn no	dr	date	tolerances unless otherwise specified	title
AG				linear XXX±.01/XX±0.3 XXX±.005/XX±0.13 XXX±.0020/XX±0.051	CONAN® CONNECTOR ASSEMBLY
				angles 0°±2'	INCH/MM
				dr	scale 5:1
				enr	
				chr	
				appd	
sheet	revision				dwg no
index	sheet				91900
					sheet 3 of 7
					size
					A3
					type
					Product Customer Drawing

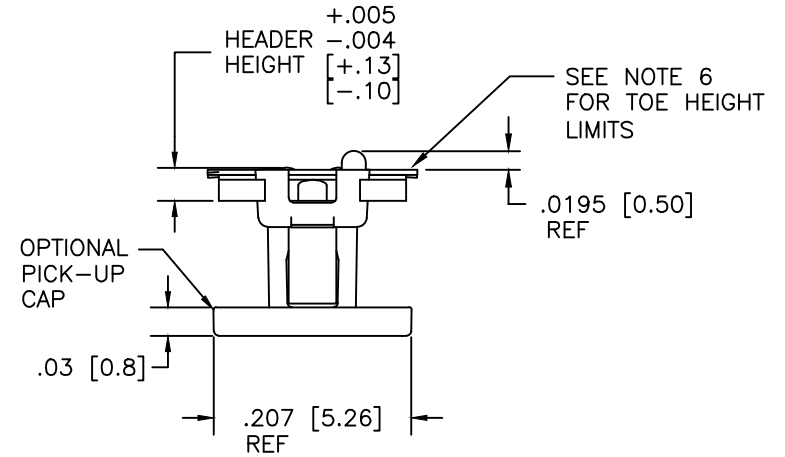
PRODUCT NUMBER  
SEE TABLE



$.016 [0.41] \pm .001 [.03]$

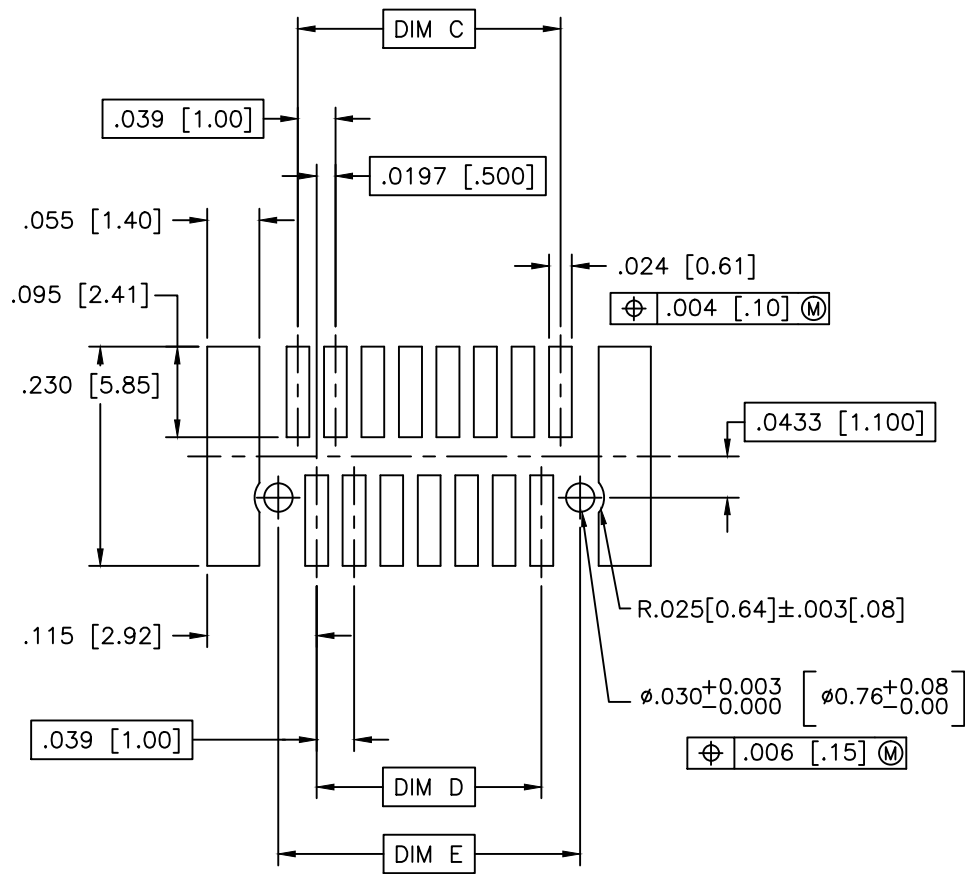
$\phi .008 [.20] \text{ (M)}$

$.0394 [1.001]$

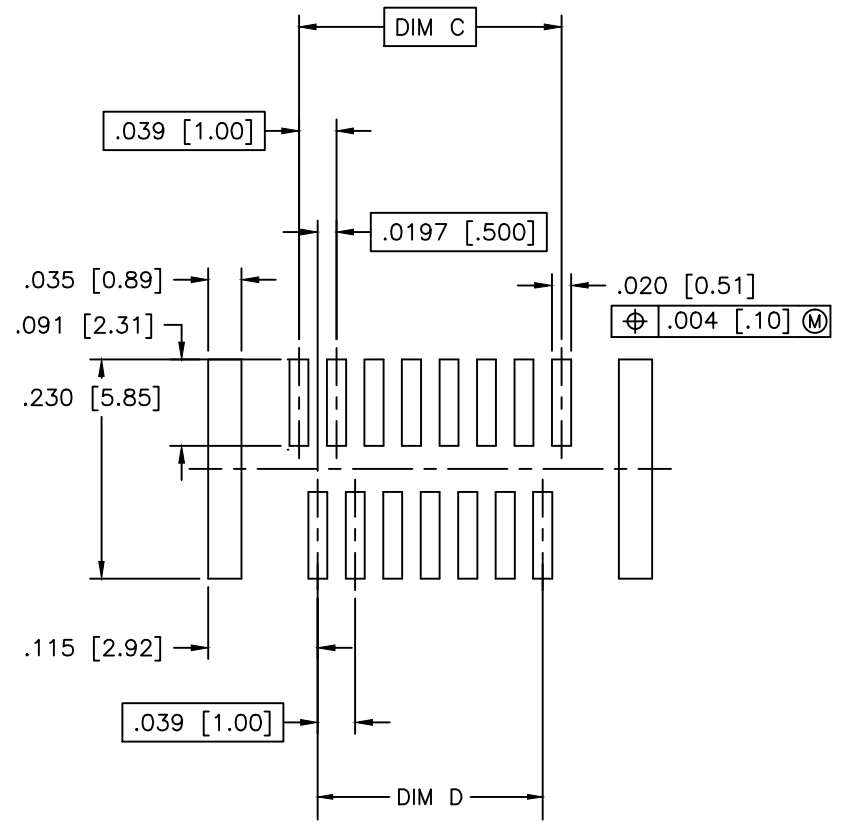


mat'l. code		surface ISO 1302	tolerance ISO 406 ISO 1101	projection 	product family CONAN®
ltr	ecn no	dr	date	tolerances unless otherwise specified	title
AG				linear XX±.01/XX±0.3 XXX±.005/XXX±0.13 XXXX±.0020/XXX±0.051	CONAN® CONNECTOR ASSEMBLY
				angles 0°±2'	dwg no 91900
				dr R.SEIPLE 11/13/91	sheet 4 of 7 size A3
				enr D.HORCHLER 01/10/92	type Product Customer Drawing
				chr D.HORCHLER 01/10/92	
				appd D.HORCHLER 01/10/92	
sheet index	revision sheet				

PRODUCT NUMBER  
SEE TABLE



RECOMMENDED  
PAD LAYOUT



RECOMMENDED  
STENCIL LAYOUT  
FOR HEADER

mat'l. code		surface ISO 1302 ✓	tolerance ISO 406 ISO 1101	projection [Symbol]	product family CONAN®
ltr	ecn no	dr	date	tolerances unless otherwise specified	title
AG				linear XX±.01/XX±0.3 XXX±.005/XXX±0.13 XXXX±.0020/XXX±0.051	CONAN® CONNECTOR ASSEMBLY
				angles 0°±2'	INCH/MM
				dr	scale 5:1
				enr	R.SEIPLE 11/13/91
				chr	D.HORCHLER 01/10/92
				appd	D.HORCHLER 01/10/92
sheet index	revision sheet				dwg no 91900
					sheet 5 of 7 size A3
					type Product Customer Drawing



PRODUCT NUMBER	POS	DIM "A"	DIM "C"	DIM "D"	DIM "E"
919TC-WXY09	9	.366 [9.30]	.157 [4.00]	.118 [3.00]	.1990 [5.055]
-WXY09LF					
-WXY11	11	.406 [10.30]	.197 [5.00]	.157 [4.00]	.2380 [6.045]
-WXY11LF					
-WXY15	15	.484 [12.30]	.276 [7.00]	.236 [6.00]	.3170 [8.052]
-WXY15LF					
-WXY21	21	.602 [15.30]	.394 [10.00]	.354 [9.00]	.4350 [11.049]
-WXY21LF					
-WXY25	25	.681 [17.30]	.472 [12.00]	.433 [11.00]	.5140 [13.056]
-WXY25LF					
-WXY31	31	.800 [20.30]	.591 [15.00]	.551 [14.00]	.6320 [16.053]
-WXY31LF					
-WXY41	41	.996 [25.30]	.787 [20.00]	.748 [19.00]	.8290 [21.057]
-WXY41LF					
-WXY51	51	1.193 [30.30]	.984 [25.00]	.945 [24.00]	1.0260 [26.060]
-WXY51LF					
-WXY69	69	1.547 [39.30]	1.339 [34.00]	1.299 [33.00]	1.3800 [35.052]
-WXY69LF					

NOTES:

1. MATERIALS:

RECEPTACLE HOUSING - LCP, UL-94V-0. COLOR: NATURAL.

RECEPTACLE TERMINALS - COPPER ALLOY, PLATED WITH 15u"/.38u GXT™ IN CONTACT AREA AND 100u"/2.54u Sn ON SOLDER LEGS WITH AN OVERALL 50u"/1.27u Ni UNDERPLATE.

HEADER HOUSING - LCP, UL-94V-0. COLOR: NATURAL.

HEADER TERMINALS - COPPER ALLOY, PLATED WITH 15u"/.38u GXT™ IN CONTACT AREA AND 100u"/2.54u Sn ON SOLDER LEGS WITH AN OVERALL 50u"/1.27u Ni UNDERPLATE.

RETENTION DEVICE - BRASS, PLATED WITH 100u"/2.54u Sn OVER NICKEL.

2. REFERENCE GS-12-006 FOR PRODUCT PERFORMANCE DATA.

3. SEE TA-774 FOR FURTHER DESCRIPTION OF HOW THIS DIMENSION IS APPLIED.

4. PICK AND PLACE CAP OR TAPE IS ONLY AVAILABLE WITH OPTION 3 PACKAGING. (PSA ADHESIVE SEALED). ALSO, PSA PACKAGING REQUIRES A PICK AND PLACE CAP.

5. RECOMMENDED SOLDER PASTE THICKNESS IS .006 TO .008 INCHES THICK.

6. THE TOE HEIGHT OF THE SOLDER TAIL SHALL BE MEASURED FROM THE LOWEST POINT OF THE .004 CO-PLANARITY GRAVITY PLANE. THIS MEASUREMENT IS NOT TO EXCEED A WINDOW OF .000 TO .007 INCHES.

7. THREE SLOTS MAY BE LOCATED AT EITHER END OF HOUSING.

8. 5.50mm MATED HEIGHT IS ONLY AVAILABLE IN 9, 15 AND 31 POS.

9. 7.50mm MATED HEIGHT IS ONLY AVAILABLE IN 9 POS.

10. APPLIES TO 91921-3XYZZ AND 91931- 3XYZZ OPTIONS ONLY.

11. THE HOUSING WILL WITHSTAND EXPOSURE TO 260°C PEAK TEMPERATURE FOR 30 SECONDS IN A CONVECTION INFRA RED OR VAPOR PHASE REFLOW OVEN. SEE APPLICATION/PROCEDURES IF THEY ARE AVAILABLE

13. PRODUCT WITH "LF" AT THE END MEETS EUROPEAN UNION DIRECTIVES AND OTHER COUNTRY REGULATION AS DESCRIBED IN GS-22-008.

mat'l. code		surface ISO 1302	tolerance ISO 406 ISO 1101	projection 	product family CONAN®
ltr	ecn no	dr	date	tolerances unless otherwise specified	title
AG				linear XXX±.01/XX±0.3 XXX±.005/XX±0.13 XXX±.0020/XXX±0.051	CONAN® CONNECTOR ASSEMBLY
				angles 0'±2'	INCH/MM
				dr R.SEIPLE 11/13/91	scale 5:1
				enr D.HORCHLER 01/10/92	dwg no 91900 sheet 6 of 7 size A3
				chr D.HORCHLER 01/10/92	type Product Customer Drawing
				appd D.HORCHLER 01/10/92	
sheet index	revision sheet				



PRODUCT NUMBER  
SEE TABLE

# CONAN® ASSEMBLY PART NUMBER

919 T C - W X Y ZZ LF

LEAD FREE OPTION  
SEE NOTE 12

TYPE	T
HEADER WITH NO PEGS	0
HEADER WITH PEGS	1
RECEPTACLE WITH NO PEGS	2
RECEPTACLE WITH PEGS	3

PICK AND PLACE CAP OR TAPE (NOTE 4)	C
WITHOUT CAP OR TAPE	0
WITH CAP	1
WITH TAPE (RECEPTACLE ONLY)	2

PACKAGING	W
TUBE	2
PRESSURE SEALED TAPE & REEL	3

NOTE 4

Y	HEADER HEIGHT	RECEPTACLE HEIGHT	MATED HEIGHT +.010 -.008 [+.25] [-.20]
1	.034 [.86]	.129 [3.28]	.163 [4.15]
2	.048 [1.23]	SEE Y=1 FOR ALL RECEPTACLES	.177 [4.50]
3	.068 [1.73]		.197 [5.00]
4	.107 [2.72]		.236 [6.00]
5	.1465 [3.721]		.276 [7.00]
* 6	.088 [2.23]		.216 [5.50]
* * 7	.1665 [4.229]		.296 [7.52]

\* NOTE 8  
\* \* NOTE 9

X	PLATING
1	15u"/.38u GXT™
2	30u"/.76u GXT™

ZZ	NUMBER OF POSITIONS
09	9
11	11
15	15
21	21
25	25
31	31
41	41
51	51
69	69

EXAMPLE: 91921-31125LF  
IS A CONAN® RECEPTACLE ASSEMBLY,  
HAVING NO PEGS AND WITH A PICK AND PLACE CAP.  
IT ALSO HAS GXT™ PLATING, IS .13 [3.2] HIGH AND 25  
POSITIONS AND IS PACKAGED IN PRESSURE SEALED TAPE,  
REEL AND LEAD FREE.

mat'l. code		surface ISO 1302 ✓	tolerance ISO 406 ISO 1101	projection 	product family CONAN®
ltr	ecn no	dr	date	tolerances unless otherwise specified	title CONAN® CONNECTOR ASSEMBLY
AG				angles linear XXX±.01/XX±0.3 XXX±.005/XX±0.13 XXX±.0020/XXX±0.051	INCH/MM scale 5:1
		dr	R.SEIPLE 11/13/91		dwg no 91900
		enr	D.HORCHLER 01/10/92		sheet 7 of 7 size A3
		chr	D.HORCHLER 01/10/92		type Product Customer Drawing
		appd	D.HORCHLER 01/10/92		
sheet index	revision sheet				

