

丸形

Round Type

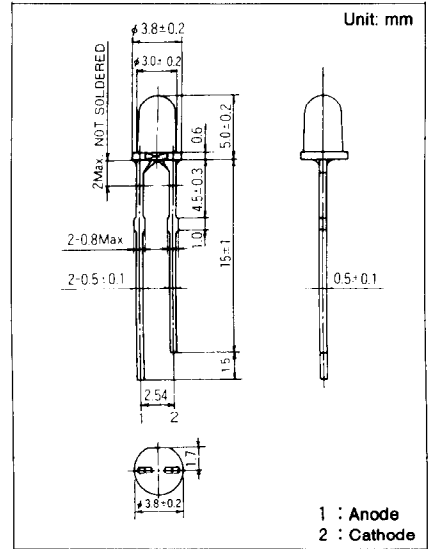
φ 3.0mm Series

Type No.	Lighting Color
LN38GPP	Green
LN38GCPP	Green
LN38CPP	Green

絶対最大定格 Absolute Maximum Ratings (Ta=25 °C)

Lighting Color	P _O (mW)	I _F (mA)	I _{FP} (mA)*	V _R (V)	T _{opr} (°C)	T _{stg} (°C)
Green	90	30	150	4	-25~+85	-30~+100

* I_{FP}の条件は、duty 10%、Pulse width 1 msec The condition of I_{FP} is duty 10%, Pulse width 1 msec



電気的光学的特性 Electro-Optical Characteristics (Ta=25 °C)

Type No.	Lighting Color	Lens Color	I ₀		I _F	V _F		λ _P	Δλ	I _F	I _R	
			Typ.	Min.		Typ.	Max.				Typ.	Max.
LN38GPP	Green	Green Diffused	3.0	1.2	20	2.2	2.8	565	30	20	10	4
LN38GCPP	Green	Green Clear	8.0	2.5	20	2.2	2.8	565	30	20	10	4
LN38CPP	Green	Clear	25.0	9.5	20	2.2	2.8	565	30	20	10	4
Unit	—	—	mcd	mcd	mA	V	V	nm	nm	mA	μA	V

