

Ex Barrier Gland 717-080 For Use With Jacketed Cable

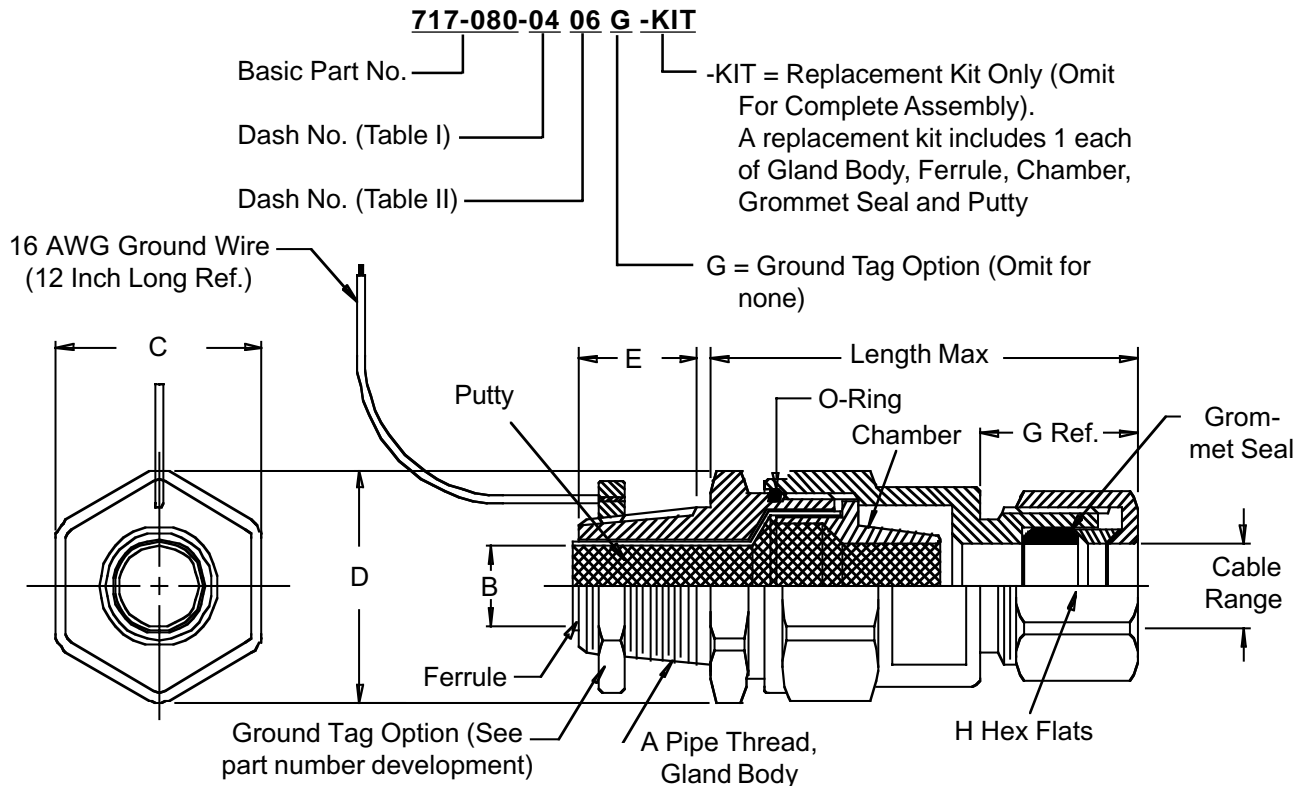


TABLE I

Dash No.	A Pipe Thread NPT	B Dia	C Across Flats	D Across Points	E	Length Assembled Max	Cable Range (Dash No. Table II)	
							Min	Max
04	.500 - 14.0	.469 (11.9)	1.375 (34.9)	1.530 (38.9)	.53 (13.5)	2.75 (69.9)	04	08
05	.750 - 14.0	.625 (15.9)	1.625 (41.3)	1.810 (46.0)	.55 (14.0)	2.75 (69.9)	06	12
06	1.000 - 11.5	.875 (22.2)	1.875 (47.6)	2.100 (53.3)	.70 (17.8)	2.80 (71.1)	08	16
07	1.250 - 11.5	1.187 (30.1)	2.250 (57.2)	2.530 (64.3)	.71 (18.0)	2.85 (72.4)	10	20
08	1.500 - 11.5	1.406 (35.7)	2.375 (60.3)	2.680 (68.1)	.73 (18.5)	2.97 (75.4)	12	24
09	2.000 - 11.5	1.812 (46.0)	2.875 (73.0)	3.250 (82.6)	.77 (19.6)	2.97 (75.4)	16	32
10	2.500 - 8.0	2.187 (55.5)	3.250 (82.6)	3.690 (93.7)	1.14 (29.0)	3.23 (82.0)	20	32
11	3.000 - 8.0	2.750 (69.9)	4.000 (101.6)	4.550 (115.6)	1.20 (30.5)	3.23 (82.0)	24	40
12	3.500 - 8.0	3.250 (82.6)	4.500 (114.3)	5.125 (130.2)	1.25 (31.8)	3.48 (88.4)	28	40

TABLE II

Dash No.	G Ref.	H Across Flats	Cable Range	
			Min	Max
04	1.13 (28.7)	.937 (23.8)	.188 (4.8)	.312 (7.9)
06	1.13 (28.7)	1.000 (25.4)	.281 (7.1)	.438 (11.1)
08	1.13 (28.7)	1.125 (28.6)	.344 (8.7)	.562 (14.3)
10	1.13 (28.7)	1.250 (31.8)	.375 (9.5)	.625 (15.9)
12	1.13 (28.7)	1.437 (36.5)	.437 (11.1)	.750 (19.1)
16	1.18 (30.0)	1.687 (42.8)	.625 (15.9)	.938 (23.8)
20	1.23 (31.2)	2.000 (50.8)	.875 (22.2)	1.250 (31.8)
24	1.35 (34.3)	2.250 (57.2)	1.000 (25.4)	1.375 (34.9)
28	1.35 (34.3)	2.500 (63.5)	1.250 (31.8)	1.625 (41.3)
32	1.35 (34.3)	2.750 (69.9)	1.437 (36.5)	1.875 (47.6)
40	1.35 (34.3)	3.250 (82.6)	1.875 (47.6)	2.375 (60.3)

1. Metric dimensions (mm) are indicated in parentheses.
2. Materials: Adapters, Ferrules, Gland Nut & Ground Tag - Brass; O-Ring - Nitrile (Buna-N) Rubber; Grommet - EPDM; Putty - Two Part Epoxy Putty