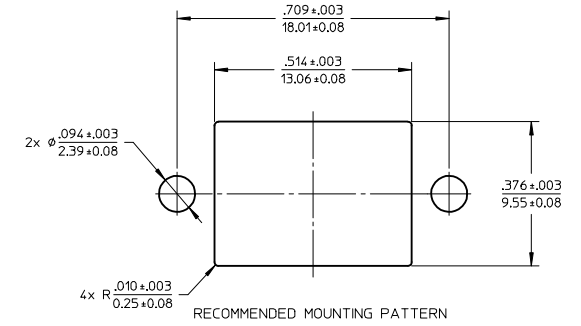
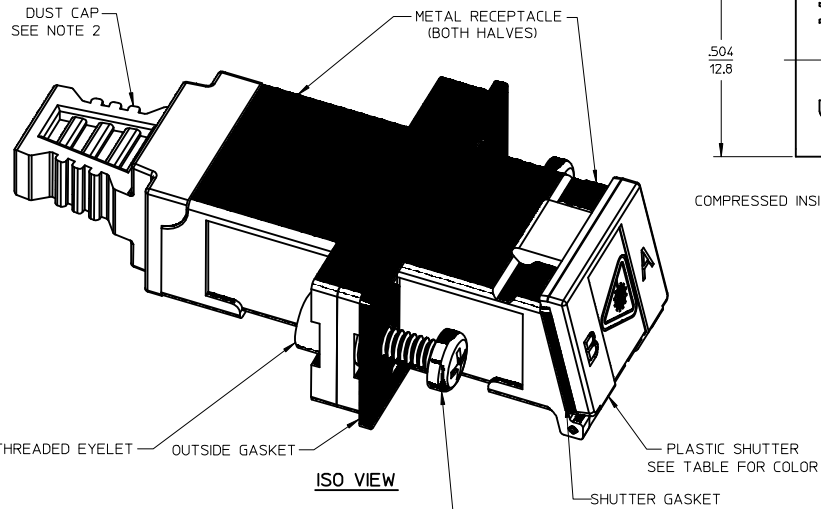
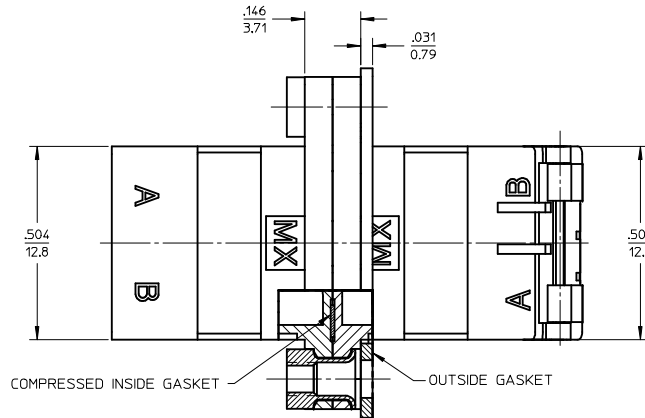
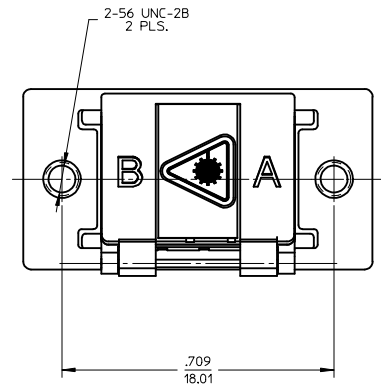
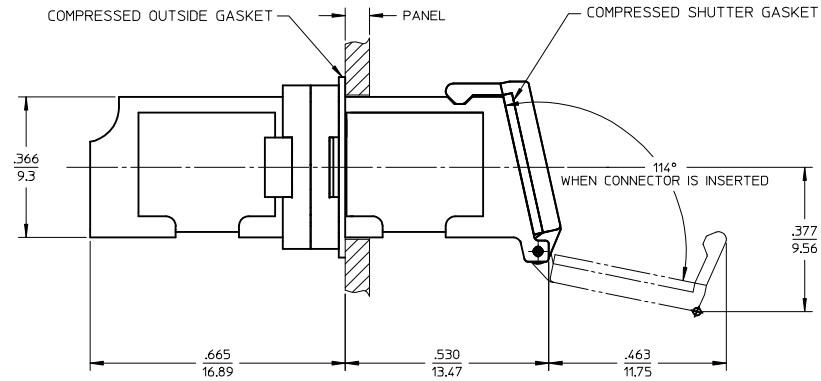
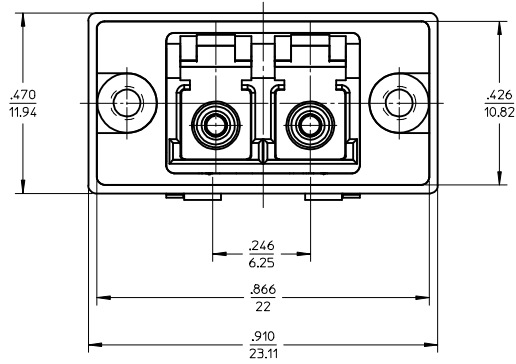


13	12	11	10	9	8	7	6	5	4	3	2	1
LCD ADAPTER P/N	LC SLEEVE MATERIAL	PLASTIC SHUTTER COLOR										
106127-0100	ZR	BLUE										
106127-0110	PH. BRONZE	BEIGE										



NOTES:

- ALL DIMENSIONS ARE FOR REFERENCE.
- DUST CAP & SEALING SCREWS SHOWN IN ISO VIEW ONLY.
- LC DUPLEX ADAPTER HAS SC ADAPTER FOOTPRINT.
- LC DUPLEX ADAPTER TO BE PACKAGED IN TRAY.
- SUGGESTED TORQUE OF SS #2-56 SEALING SCREWS TO SS PANEL IS 0.8 IN-LBS.

ENTER DESCRIPTION EC NO: MF2016-0301 DRWNSZ/LAGY1 2014/05/23 CHKD: APPR:WCHEN 2016/04/13	QUALITY SYMBOLS 	GENERAL TOLERANCES (UNLESS SPECIFIED)		DIMENSION STYLE		SCALE	DESIGN UNITS	THIRD ANGLE PROJECTION			
				IN/MM		4:1	INCH				
		4 PLACES ± --- ± --- 3 PLACES ± --- ± --- 2 PLACES ± --- ± --- 1 PLACE ± --- ± --- 0 PLACE ± ±		DRAWN BY YBELENKIY DATE 2010/09/30		CHECKED BY DATE		TITLE SEALED LCD ADAPTER			
		ANGULAR ± --- ° DRAFT WHERE APPLICABLE MUST REMAIN WITHIN DIMENSIONS		APPROVED BY WCHEN DATE 2010/12/14		MATERIAL NO. SEE TABLE		DOCUMENT NO. SD-106127-01X0		SHEET NO. 1 OF 1	