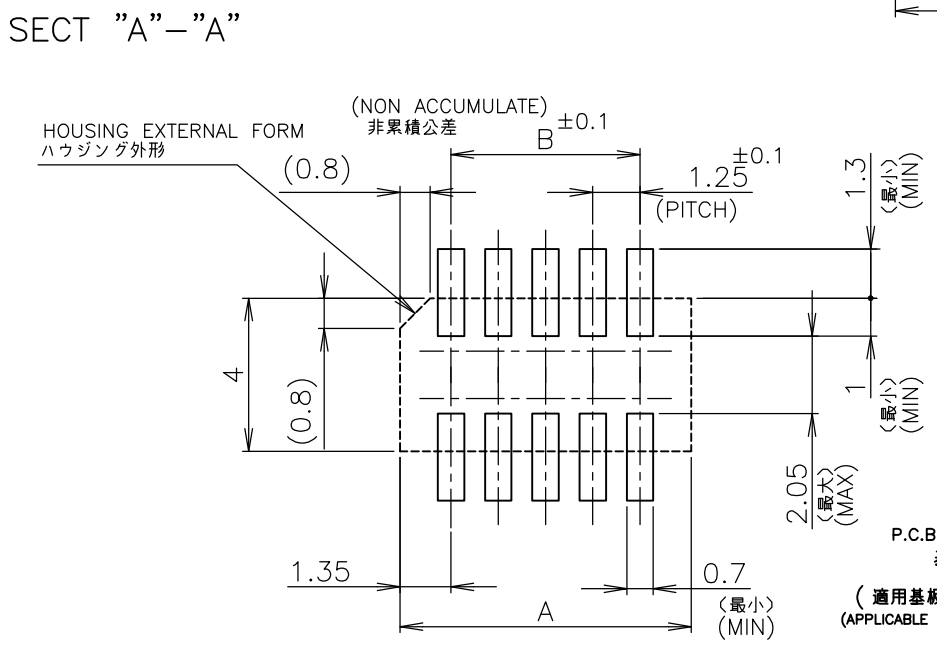
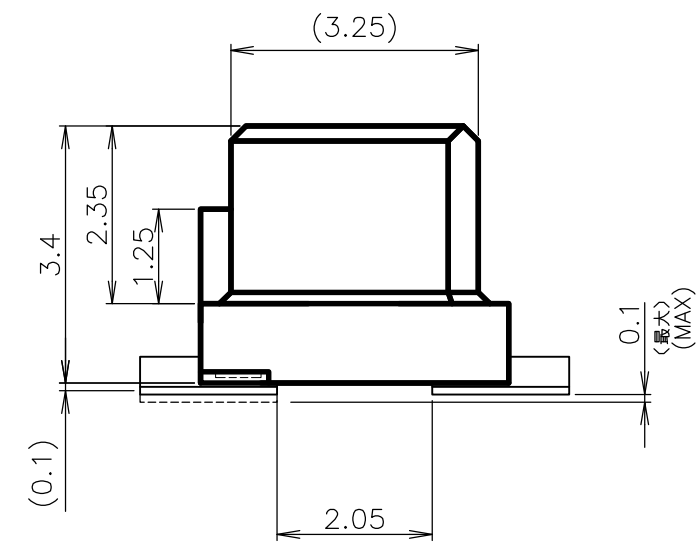
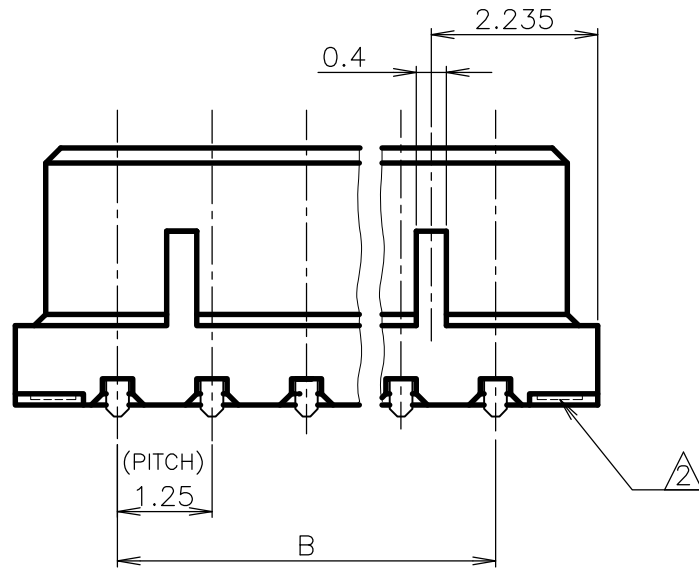
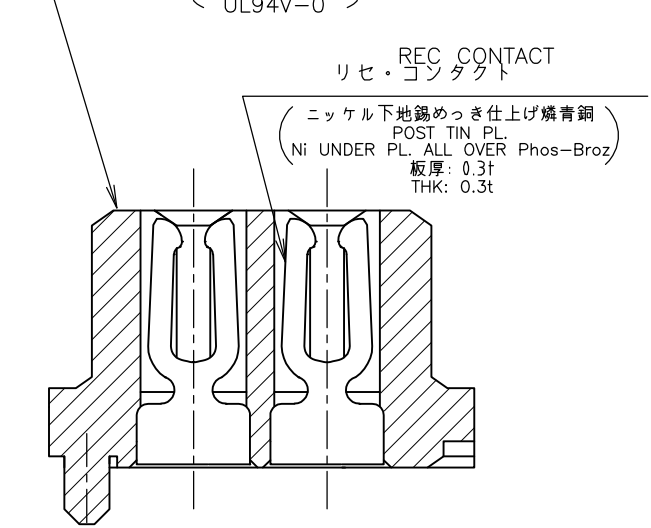
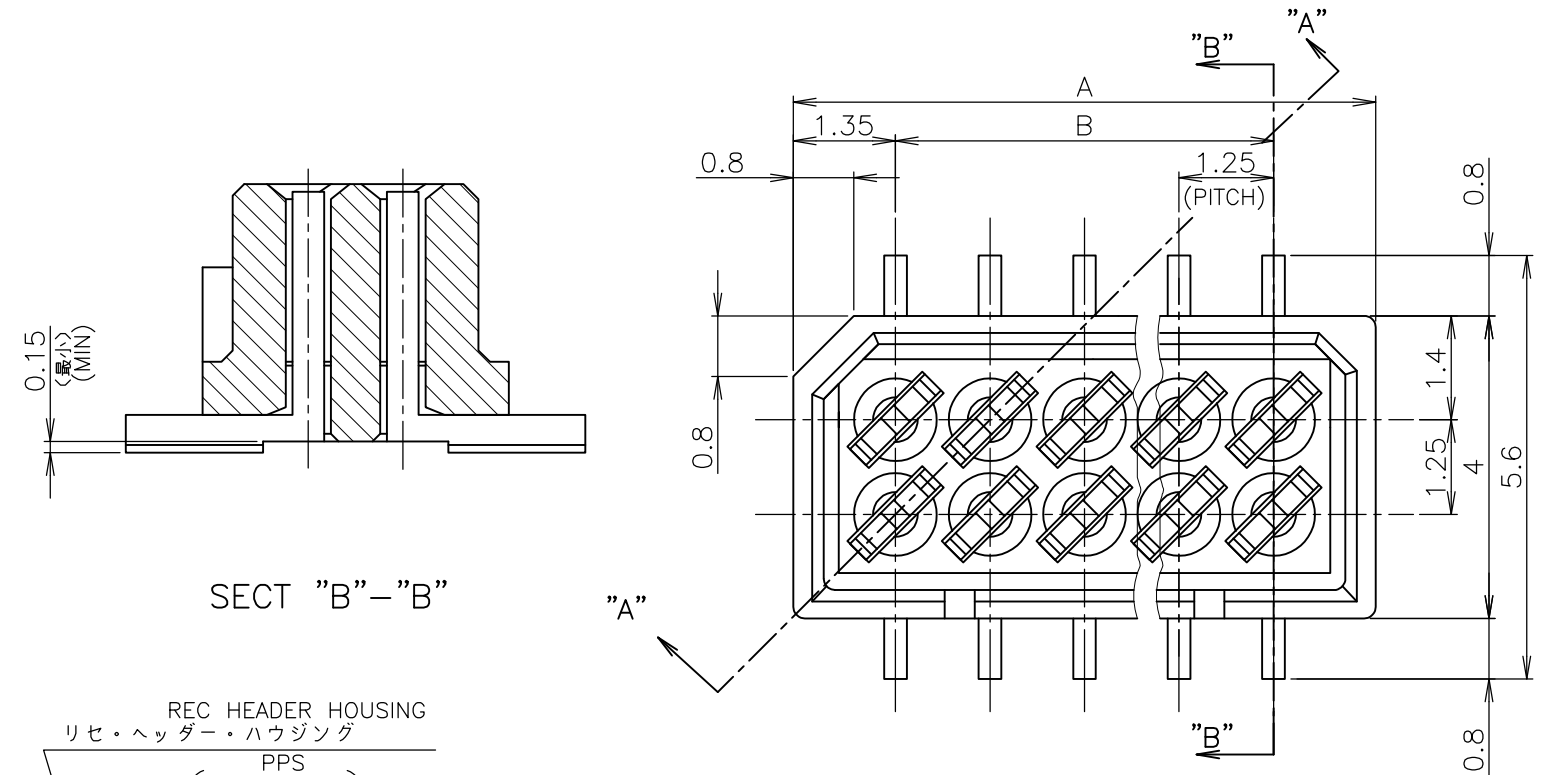


THIS DRAWING IS UNPUBLISHED. RELEASED FOR PUBLICATION ? . ? .
 © COPYRIGHT ? BY TYCO ELECTRONICS CORPORATION. ALL RIGHTS RESERVED.

LOC	DIST	REVISIONS					
		P	LTR	DESCRIPTION	DATE	DWN	APVD
J		B		REVISED FJB0-0267-03	09MAY03	T.T	H.M
		B1		REVISED PER ECO-09-024717	04NOV09	KK	AEG



1 嵌合相手製品型番及び、嵌合時寸法は
 MATING COUNTER PART NUMBER AND DIMENSIONS
 表-1 参照のこと。 嵌合時寸法: 巾(mm)×高さ(mm)
 AFTER MATING: SEE TABLE 1.

DIMENSIONS AFTER MATING : WIDE(mm) x HEIGHT(mm)

MATING COUNTER CONN 嵌合相手側コネクタ POST HDR ASSY			REC HDR ASSY SMT V TYPE WITHOUT BOSS X-176768-X	
製品型番	P/N	高さ H		
DIP TYPE	X-174643-X	3.95	5.6 (巾W) x	5.0 (高さH)
	X-176895-X		5.6 (巾W) x	7.0 (高さH)
	X-174643-X	5.95	5.6 (巾W) x	10.0 (高さH)
SMT TYPE	X-176320-X	8.85	5.6 (巾W) x	10.0 (高さH)
	ボス無 WITHOUT BOSS X-174645-X	3.95	5.6 (巾W) x	5.0 (高さH)
	ボス付 WITH BOSS X-176769-X			
	ボス付 WITH BOSS X-174821-X			
	ボス無 WITHOUT BOSS X-176140-X	5.45	5.6 (巾W) x	6.5 (高さH)
	ボス付 WITH BOSS X-176140-X	5.95	5.6 (巾W) x	7.0 (高さH)
	ボス無 WITHOUT BOSS X-174645-X			
	ボス付 WITH BOSS X-174821-X			
	ボス無 WITHOUT BOSS X-178041-X	6.85	5.6 (巾W) x	8.0 (高さH)
	ボス付 WITH BOSS X-176757-X	8.85	7.0 (巾W) x	10.0 (高さH)
	ボス無 WITHOUT BOSS X-176769-X			
	ボス付 WITH BOSS X-176140-X			
ボス無 WITHOUT BOSS X-178041-X	9.35	7.0 (巾W) x	10.5 (高さH)	
ボス付 WITH BOSS X-176757-X				

TABLE 1 SMT TYPEは、巾及び高さ寸法に
 SMT TYPE INCLUDE DIMENSIONS
 半田付タイプ寸法を含みます。
 OF SOLDER DIP TYPE.

△ 基板位置決め用ボス切断跡。
 CUT MARK OF POSITIONER BOSS.

△ OBSOLETE PARTS: OBSOLETE CIS STREAMLINING
 PER D.RENAUD/D.SINISI

OBSOLETE	↑	17.50	20.20	30	-6	0
△		15.00	17.70	26	-5	6
		13.75	16.45	24	-5	4
		12.50	15.20	22	-5	2
	黒色 BLACK	8.75	11.45	16	4-176768-6	
	色別 COLOR	B	A	極数 Pos.	型番 P/N	

鉛フリー
 LEAD FREE

THIS DRAWING IS A CONTROLLED DOCUMENT.

DWN S.KANEKI 260CT89	Tyco Electronics AMP K.K. Kawasaki, Japan
CHK J.TANIGAWA 260CT89	
APVD N.ONOUE 300CT89	
PRODUCT SPEC	
MATERIAL AS SHOWN 図中参照	FINISH AS SHOWN 図中参照

NAME		1.25 F-P CONNECTOR (B-TO-B)	
PRODUCT SPEC		DOUBLE ROW REC HDR ASS'Y (V) SMT TYPE	
APPLICATION SPEC		WITHOUT BOSS-IMPROVED TYPE	
SIZE	CAGE CODE	DRAWING NO	RESTRICTED TO
A3	00779	C-176768	-
CUSTOMER DRAWING		SCALE 10:1	SHEET 1 OF 1
		REV B1	