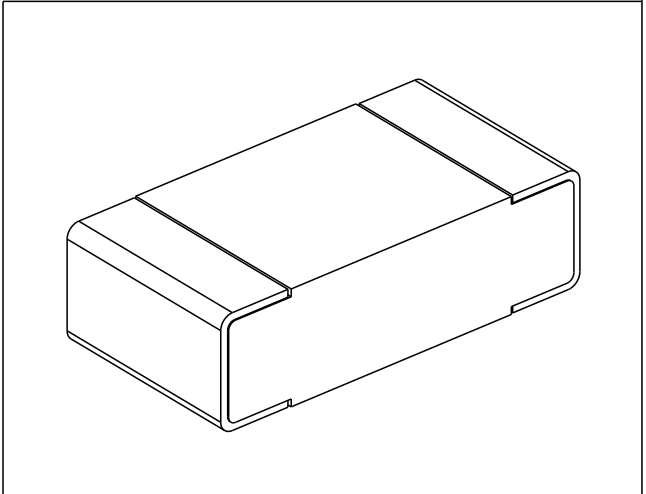


REVISIONS				
P	LTR	DESCRIPTION	DATE	APVD
	BA1	ECR-14-009193	19JUN2014	KR TN

FOR FURTHER INFORMATION SEE DATA SHEET FOR CPF SERIES-THIN FILM PRECISION CHIP RESISTORS



RoHS Compliant



2008

RELEASED FOR PUBLICATION

ALL RIGHTS RESERVED.

THIS DRAWING IS UNPUBLISHED.

BY -

© COPYRIGHT 2008

DIMENSIONS: mm	DWN SUBHASH.M	29-Sep-08	MATERIAL	-	FINISH	-
	CHK PRAKASH.S	29-Sep-08				
TOLERANCES UNLESS OTHERWISE SPECIFIED:	APVD STEPHEN.P	29-Sep-08				
	0 PLC ± 0.2	PRODUCT SPEC	NAME THIN FILM PRECISION CHIP RESISTORS SERIES CPF 0603			
1 PLC ± 0.1	-					
2 PLC \pm	APPLICATION SPEC	SIZE A4 CAGE CODE 00779 DRAWING NO C-1879337 RESTRICTED TO -				
3 PLC \pm	-					
4 PLC \pm	WEIGHT	-	SCALE 40:1 SHEET 1 OF 1 REV BA1			
ANGLES $\pm 5^\circ$	-					
		Customer Drawing				