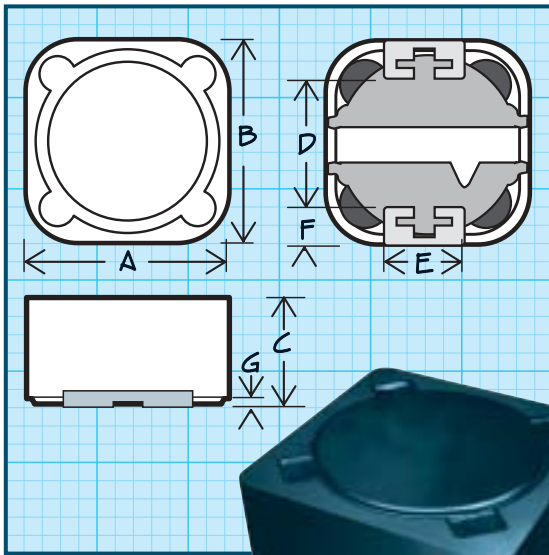


# Series SPD125 & SPD127

## Shielded Surface Mount Inductors



### Physical Parameters

	Inches	Millimeters
A	0.472 ± 0.020	12.0 ± 0.5
B	0.472 ± 0.020	12.0 ± 0.5
C	0.236 Max.	6.0 Max. (Series SPD125)
	0.315 Max.	8.0 Max. (Series SPD127)
D	0.300 ± 0.020	7.6 ± 0.5
E	0.198 ± 0.020	5.0 ± 0.5
F	0.086 ± 0.020	2.18 ± 0.5
G	0.015 Ref. only	0.38 Ref. only
H	0.075 Ref. only	1.91 Ref. only
I	0.198 Ref. only	5.03 Ref. only

**Mechanical Configuration** Units designed for surface mounting; ferrite core and ferrite sleeve

**Terminals are Solderable** More than 95% new solder coverage when subjected to soldering temperature

**Operating temperature range** -55°C to +125°C

### Application Frequency Range

Values 2.2µH to 10µH to 1.0 MHz Min.

Values above 10µH to 300 KHz Min.

**Current Rating at 25°C Ambient** The maximum DC current that will cause a 40°C maximum temperature rise and where the inductance will not decrease by more than 10% from its zero DC value

**Packaging** Tape & reel (24mm):

13" reel, 500 pieces max.; 7" reel not available

PART NUMBER	INDUCTANCE (µH) ± 20%	TEST FREQUENCY (KHz)	DC RESISTANCE MAXIMUM (Ohms)	CURRENT RATING MAXIMUM (Amps)
<b>SERIES SPD125</b>				
SPD125-222M	2.2	100	0.020	7.00
SPD125-332M	3.3	100	0.030	5.50
SPD125-472M	4.7	100	0.040	5.00
SPD125-682M	6.8	100	0.050	4.50
SPD125-103M	10	100	0.055	4.00
SPD125-123M	12	1.0	0.060	3.50
SPD125-153M	15	1.0	0.065	3.30
SPD125-183M	18	1.0	0.070	3.00
SPD125-223M	22	1.0	0.075	2.80
SPD125-273M	27	1.0	0.085	2.30
SPD125-333M	33	1.0	0.095	2.10
SPD125-393M	39	1.0	0.105	2.00
SPD125-473M	47	1.0	0.115	1.80
SPD125-563M	56	1.0	0.135	1.60
SPD125-683M	68	1.0	0.170	1.50
SPD125-823M	82	1.0	0.190	1.40
SPD125-104M	100	1.0	0.210	1.30
SPD125-124M	120	1.0	0.250	1.10
SPD125-154M	150	1.0	0.300	1.00
SPD125-184M	180	1.0	0.350	0.90
SPD125-224M	220	1.0	0.420	0.80
SPD125-274M	270	1.0	0.510	0.75
SPD125-334M	330	1.0	0.600	0.70
SPD125-394M	390	1.0	0.750	0.65
SPD125-474M	470	1.0	0.820	0.60
SPD125-564M	560	1.0	1.000	0.55
SPD125-684M	680	1.0	1.300	0.50
SPD125-824M	820	1.0	1.650	0.45
SPD125-105M	1000	1.0	2.000	0.40
<b>SERIES SPD127</b>				
SPD127-222M	2.2	100	0.015	8.50
SPD127-332M	3.3	100	0.018	7.50
SPD127-472M	4.7	100	0.022	6.80
SPD127-682M	6.8	100	0.030	6.20
SPD127-103M	10	100	0.040	5.40
SPD127-123M	12	1.0	0.045	4.90
SPD127-153M	15	1.0	0.048	4.50
SPD127-183M	18	1.0	0.052	3.90
SPD127-223M	22	1.0	0.055	3.60
SPD127-273M	27	1.0	0.060	3.40
SPD127-333M	33	1.0	0.065	3.00
SPD127-393M	39	1.0	0.080	2.80
SPD127-473M	47	1.0	0.100	2.50
SPD127-563M	56	1.0	0.120	2.30
SPD127-683M	68	1.0	0.140	2.10
SPD127-823M	82	1.0	0.170	1.90
SPD127-104M	100	1.0	0.220	1.70
SPD127-124M	120	1.0	0.250	1.60
SPD127-154M	150	1.0	0.320	1.40
SPD127-184M	180	1.0	0.360	1.30
SPD127-224M	220	1.0	0.390	1.20
SPD127-274M	270	1.0	0.520	1.10
SPD127-334M	330	1.0	0.620	1.00
SPD127-394M	390	1.0	0.750	0.90
SPD127-474M	470	1.0	0.980	0.80
SPD127-564M	560	1.0	1.150	0.75
SPD127-684M	680	1.0	1.220	0.70
SPD127-824M	820	1.0	1.400	0.65
SPD127-105M	1000	1.0	1.540	0.62

POWER INDUCTORS