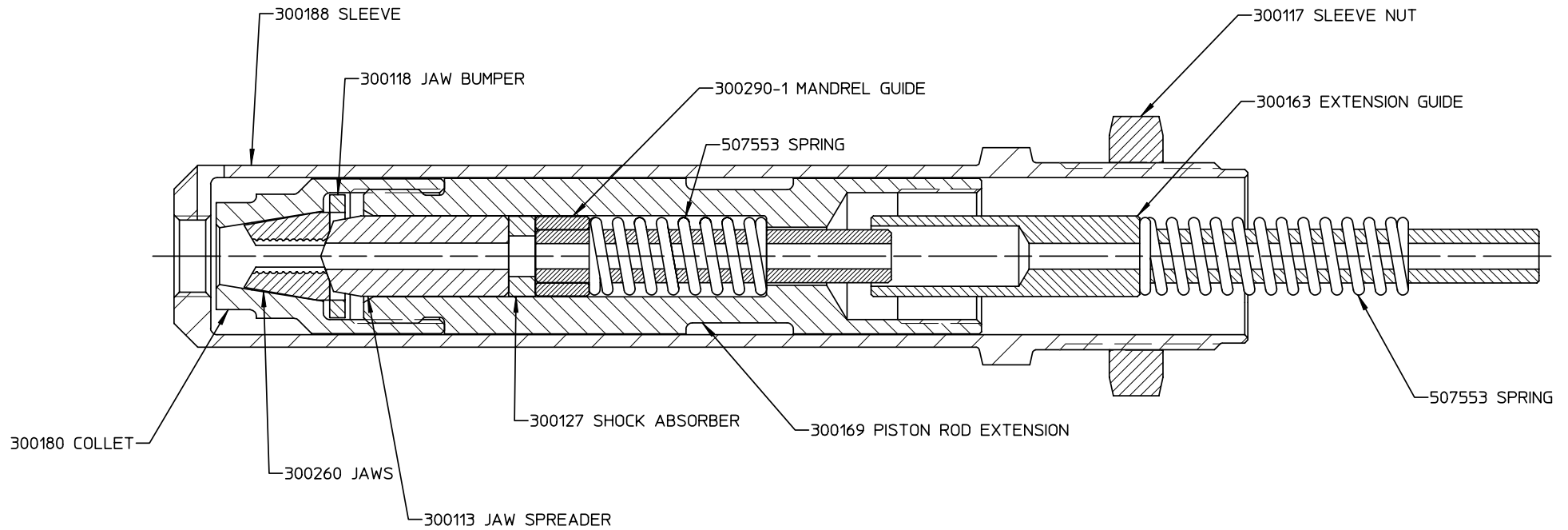


DATA SHEET



Alcoa Fastening Systems

Commercial Products
1 Corporate Drive, Kingston, NY 12401

PH1S2

Part Number

TYPE:	PULLING HEAD ASSEMBLY	
FASTENER:	3 TO 5 BR	
TOOL(S):	ERT2D & 4D	
Notes:	Product Revision:	A
US Patent:	Date:	07/25/03