



Conforms to EN60204-1, EN954-1, VDE 0113-1
UL and C-UL listed, BG approved



H

safety monitoring relays

SR106ED

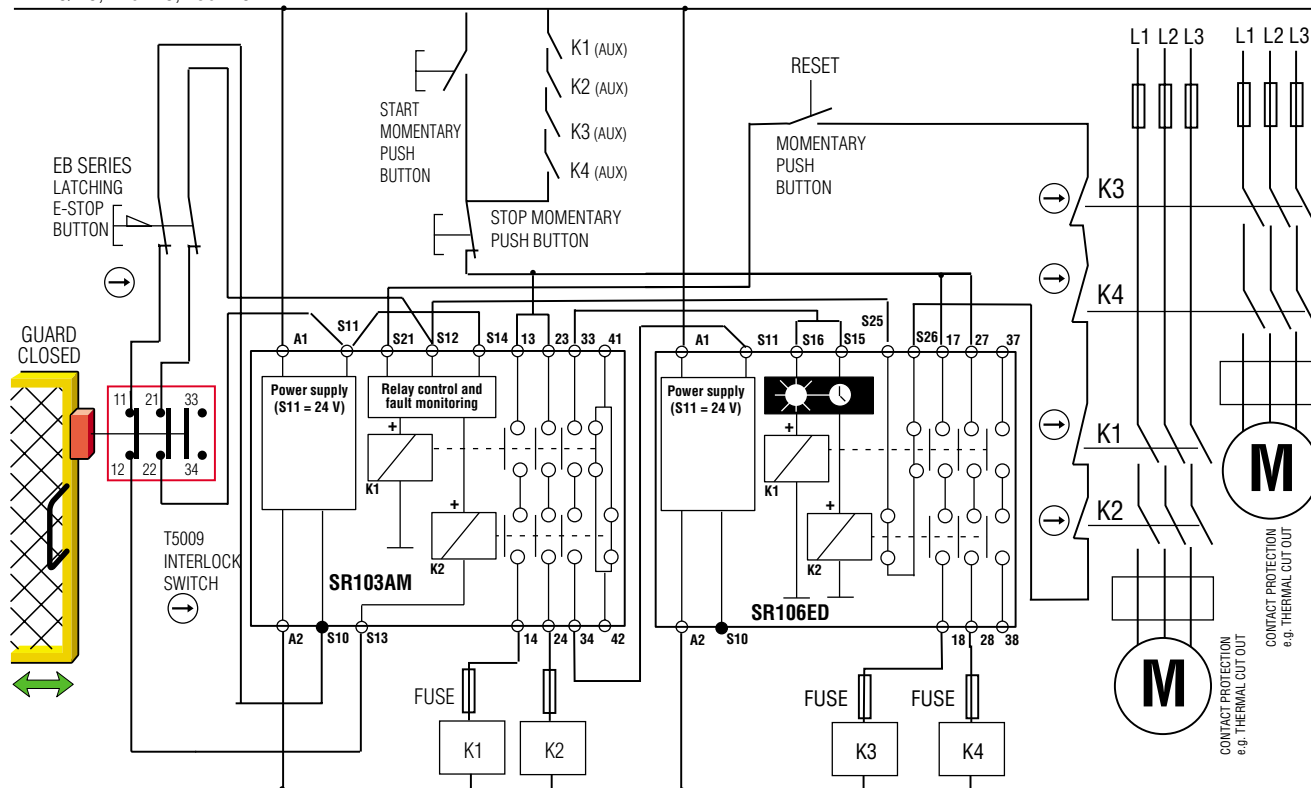
Safety Expansion Unit

- Power requirements—the SR106ED will accept 24 VAC/DC, 115 VAC or 230 VAC
- Outputs—the SR106ED has 3 N/O delayed outputs to route power to the coils of power contactors (delay selectable from 1 to 30 sec.)
- Auxiliary Output—the SR106ED has 1 N/C auxiliary for monitoring by the safety monitoring relay
- PLC Compatible—The N/O off delayed output makes it possible to use the SR106ED on machines with Programmable Logic Controllers that require some time to execute an orderly shutdown.

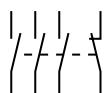
A Go to the Engineering Guide
For in-depth information on safety standards and use.

Application

24VAC/DC, 110VAC, 230VAC



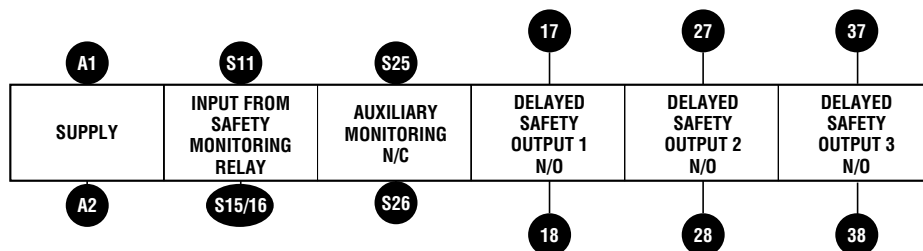
Output Contact Arrangements



Terminal Pin Assignments

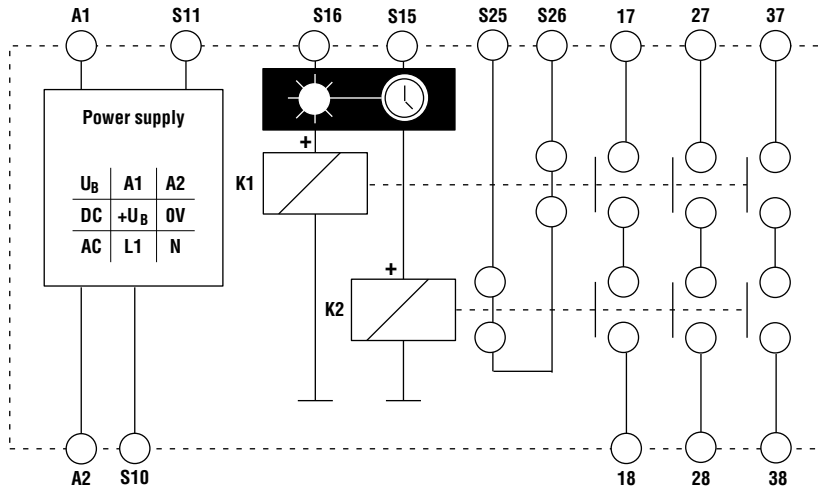
18	⊗	⊗	S25	A1	⊗	⊗	17
28	⊗	⊗	S26	S11	⊗	⊗	27
38	⊗	⊗	S10	S15	⊗	⊗	37
	⊗	⊗	A2	S16	⊗	⊗	

Terminal Connections



H
safety monitoring relays

■ Block Diagram

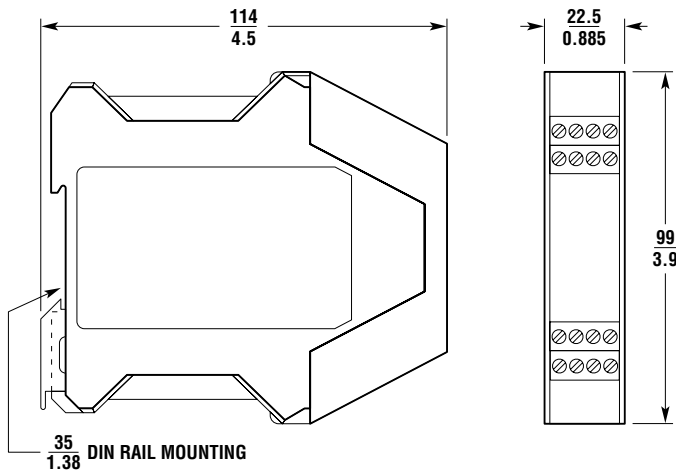


H

safety monitoring relays

■ Dimensions — mm/in.

SR106ED



A Go to the Engineering Guide
For in-depth information on safety standards and use.

■ Specifications

Electrical	All Models	SR106ED01	SR106ED02	SR106ED03
Power Supply:	±10%, 50-60 Hz	24 VAC/DC	115 VAC	230 VAC
Power Consumption:	Approx. 1 VA			
Outputs:	3 N/O timer delayed (1 to 30 sec.)			
Auxiliary Outputs:	1 N/C for monitoring by safety monitoring relay			
Output Rating AC:	Inductive AC-15, 4 A/230 V			
Output Rating DC:	Inductive DC-13, 2 A/24 V			
Min Switched Current/Voltage:	20 mA/24 V			
Impulse Withstand Voltage:	2500 V			
Max Drop-Out Time:	Equal to delay timer setting (75 ms by removing supply voltage)			
Max Output Fuse:	6 A quick-acting or 4 A slow-acting			
Mechanical				
Mounting:	35 mm (1.38 in.) DIN rail			
Case Material:	Fiber-filled Polyamide PA6.6			
Max Wire Size:	1 x 2.5 mm ² (14 AWG) stranded			
Weight:	230 g (8.1 oz.)			
Color:	Red			
External Switches:	Timer delay setting (1 to 30 sec.)			
Indication:	Green = K1 Closed, Green = K2 Closed			
Mechanical Life:	1 x 10 ⁷ operations			
Environmental				
Enclosure Protection:	IP20 terminals, IP40 (NEMA 1 housing)			
Operating Temperature:	24 VAC/DC: -15 to 60°C (5 to 140°F) 115/230 VAC: -15 to 40°C (5 to 104°F)			
Humidity:	93% RH at 40°C (104°F)			
Compliance				
Standards:	EN 60204-1, EN 954-1, VDE 0113-1			
Approvals/Listings:	CE marked for all applicable directives, BG, UL and C-UL			
Safety Category:	Cat. 3 per EN954-1 (SR106 internal operation)			

Specifications are subject to change without notice.

Note: The safety contacts of the STI switches are described as normally closed (N/C)—i.e., with the guard closed, actuator in place, and the machine able to be started.

■ Ordering

Model	Supply	Outputs	Auxiliary	Part No.
SR106ED01	24 VAC/DC	3 N/O off delayed	1 N/C	44510-1061
SR106ED02	115 VAC	3 N/O off delayed	1 N/C	44510-1062
SR106ED03	230 VAC*	3 N/O off delayed	1 N/C	44510-1063

*230 VAC units are available on special order. Minimum quantities may apply.