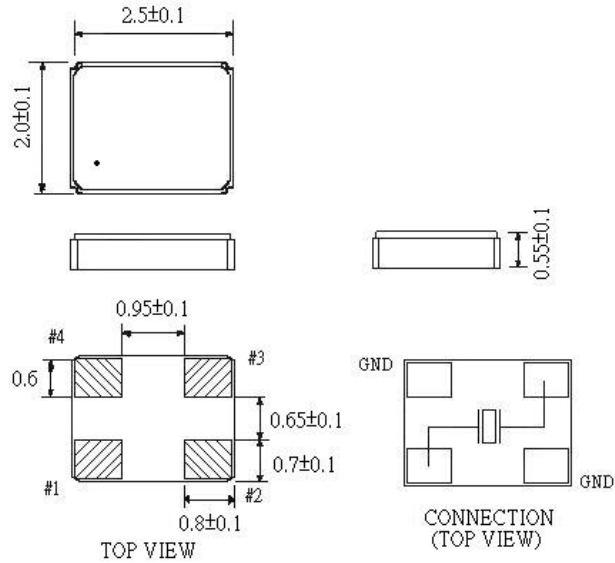


CFM Series Crystal

2.5x2.0x0.55m
RoHS Compliant
12.000MHz to
80.000MHz
RoHS Compliant
PB Free

Mechanical Dimensions



Electrical Specifications

Frequency Range		12.000MHz to 80.000MHz
Operating Temperature Range		-10° to 60°C, -20 to 70°C or -40° to 85°C
Storage Temperature Range		-55°C to 125°C
Aging		±2ppm / Year Max
Shunt Capacitance		5pF Max
Drive Level		100uW Max
Minimum Packaging		3000 Pieces Per Reel

Frequency	ESR	Mode
16.000MHz to 20.000MHz	<200Ω	Fundamental
20.001MHz to 25.000MHz	<120Ω	Fundamental
25.001MHz to 40.000MHz	<100Ω	Fundamental
40.001MHz to 60.000MHz	<60Ω	Fundamental

Part Numbering Guide

