

TG52 Connector Wrench MIL-C-81511 Series II & IV

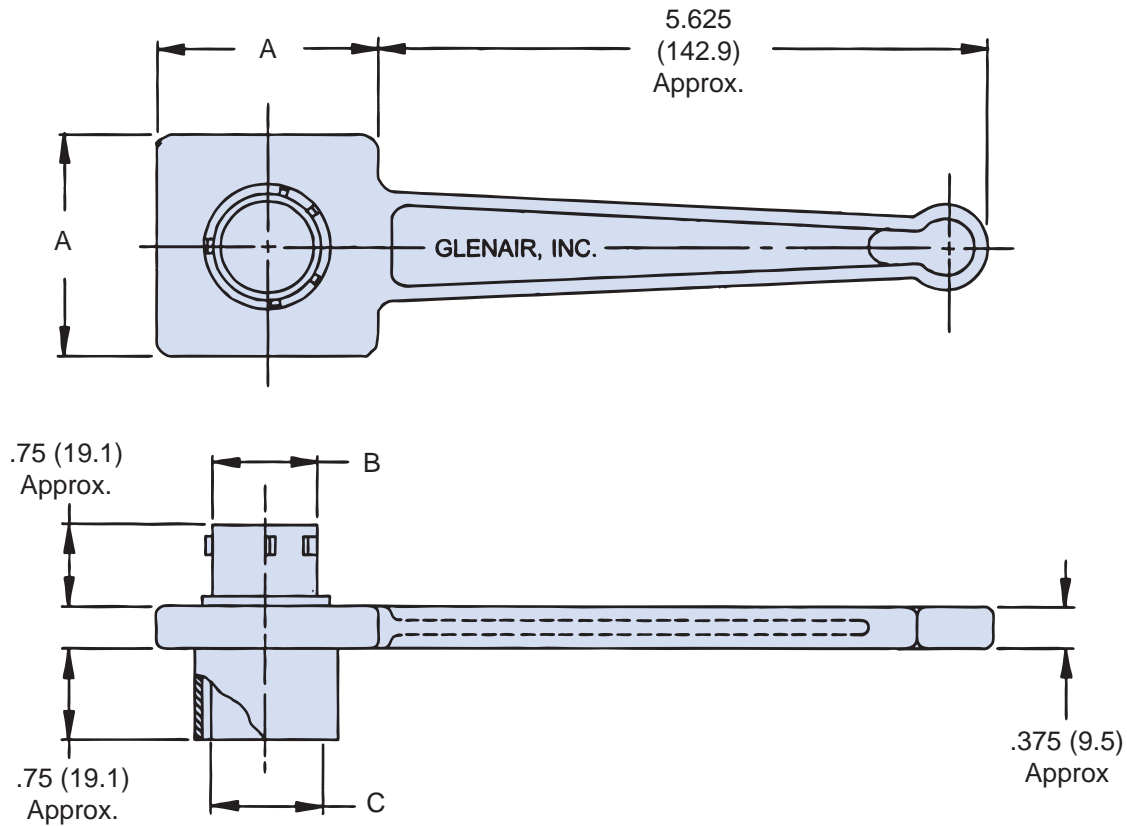
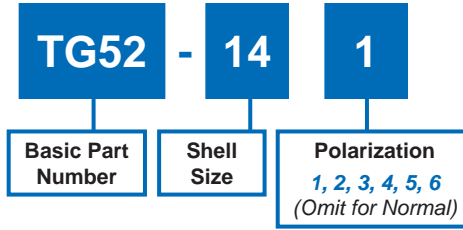


TABLE I: Shell Size and Dimensions

| Shell Size | A Dim ± .062 (1.6) | B Dia Ref | C Dia Ref |
|------------|-----------------------|--------------|--------------|
| 8 | 1.250 (31.8) | .382 (9.7) | .386 (9.8) |
| 10 | 1.250 (31.8) | .507 (12.9) | .511 (13.0) |
| 14 | 2.000 (50.8) | .757 (19.2) | .761 (19.3) |
| 16 | 2.000 (50.8) | .883 (22.4) | .887 (22.5) |
| 18 | 2.000 (50.8) | 1.007 (25.6) | 1.011 (25.7) |

APPLICATION NOTES

1. Metric dimensions (mm) are indicated in parentheses.
2. Material: Aluminum alloy with electroless nickel finish.

Dimensions in inches (millimeters) and are subject to change without notice.