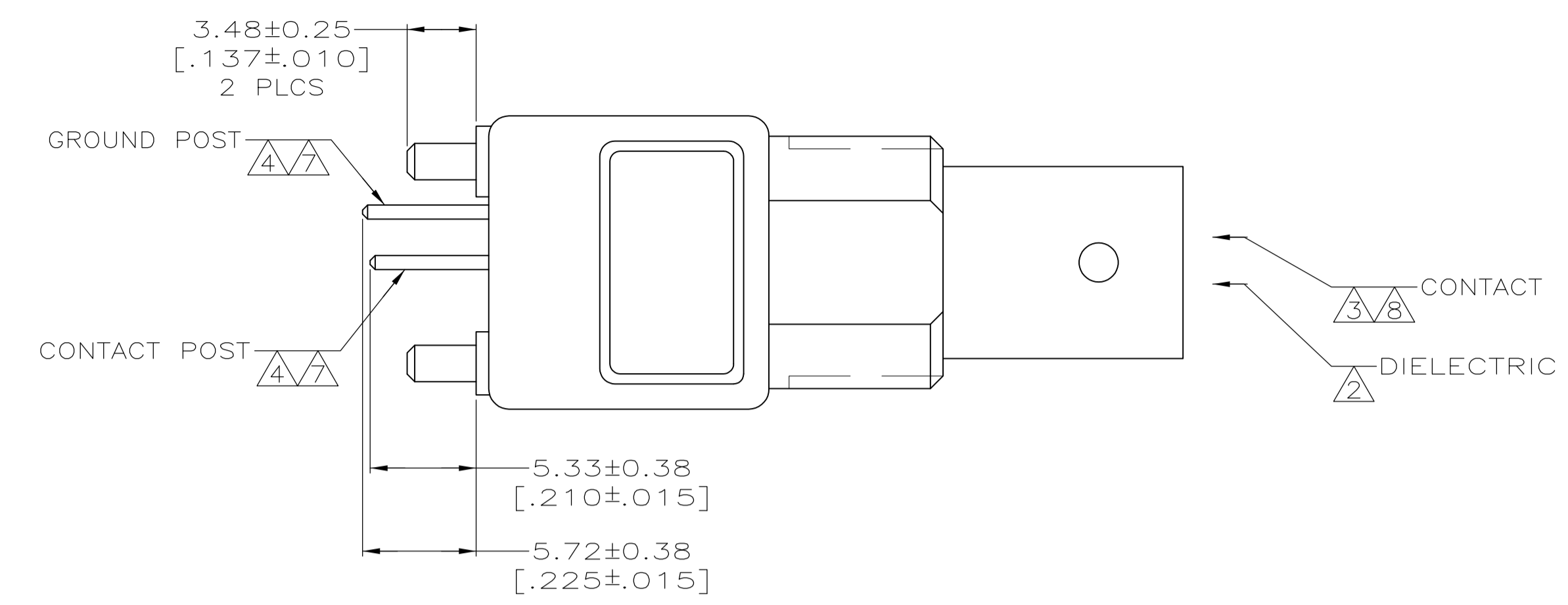
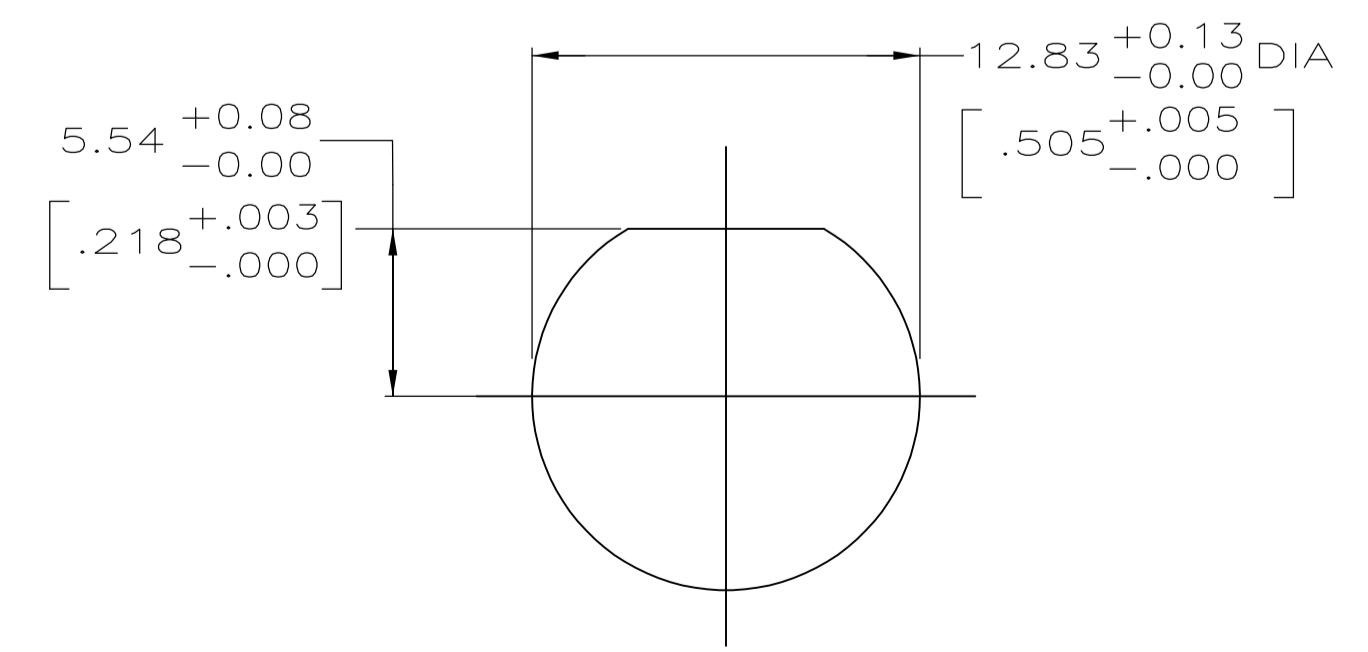
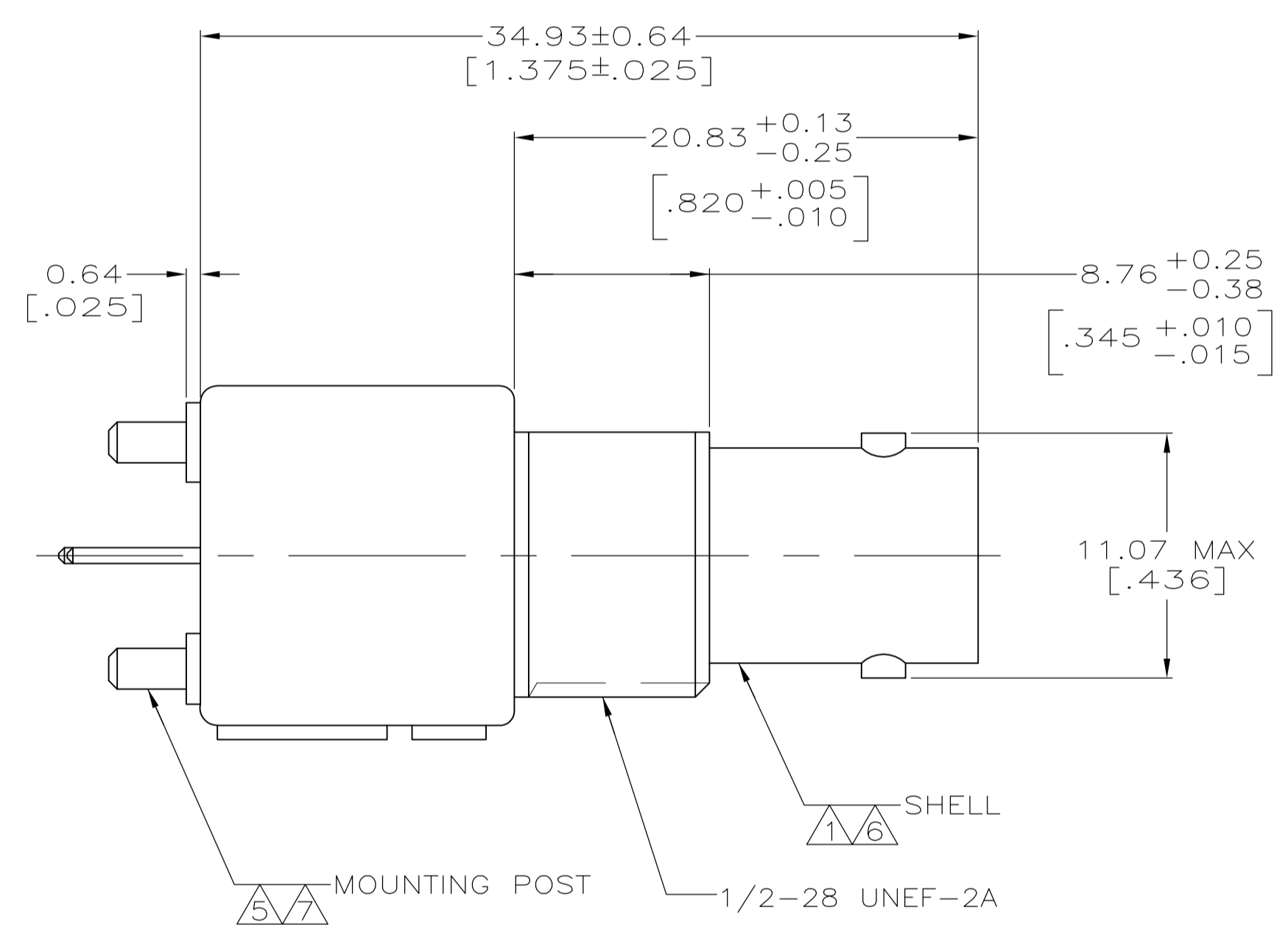
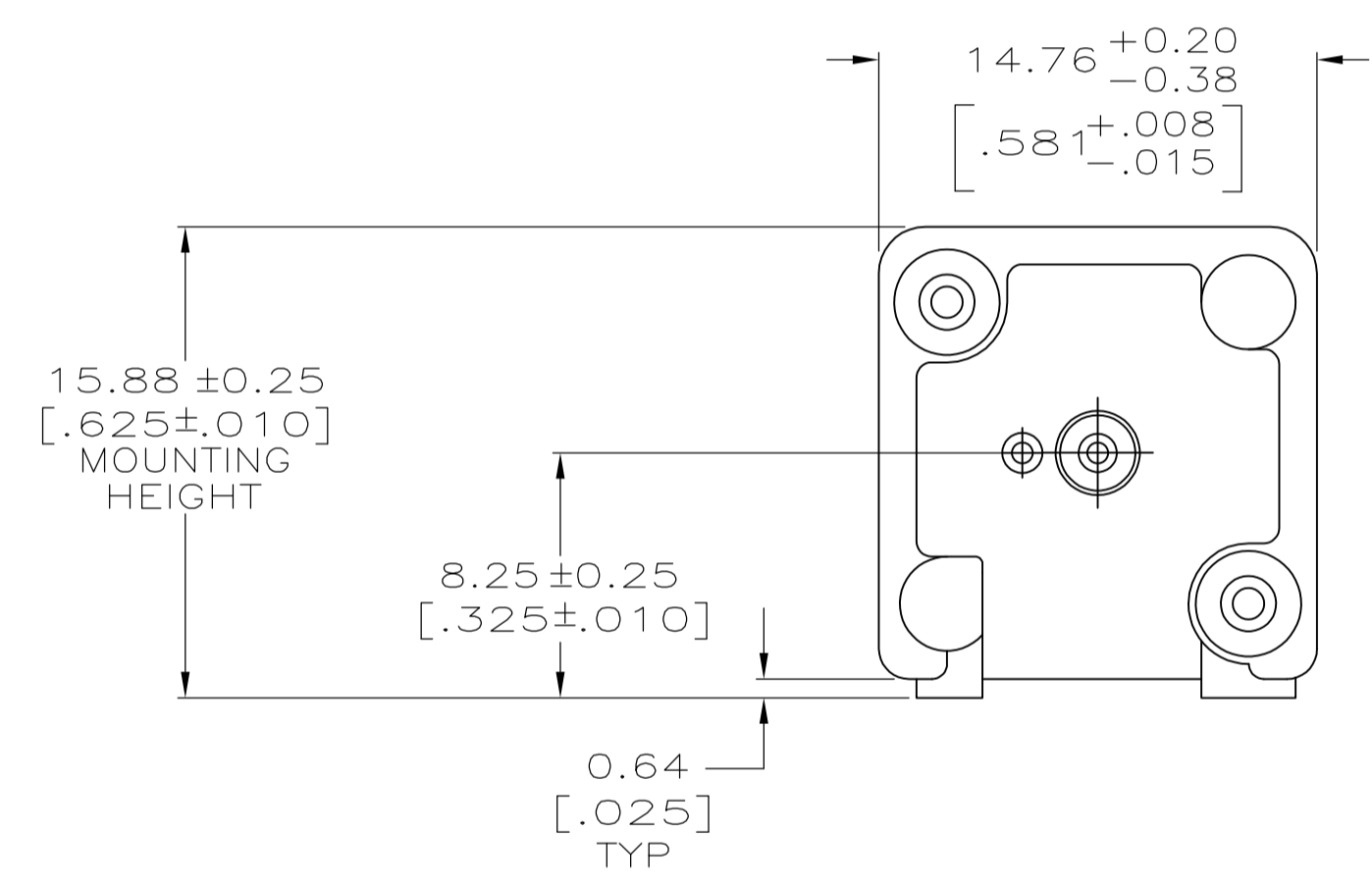


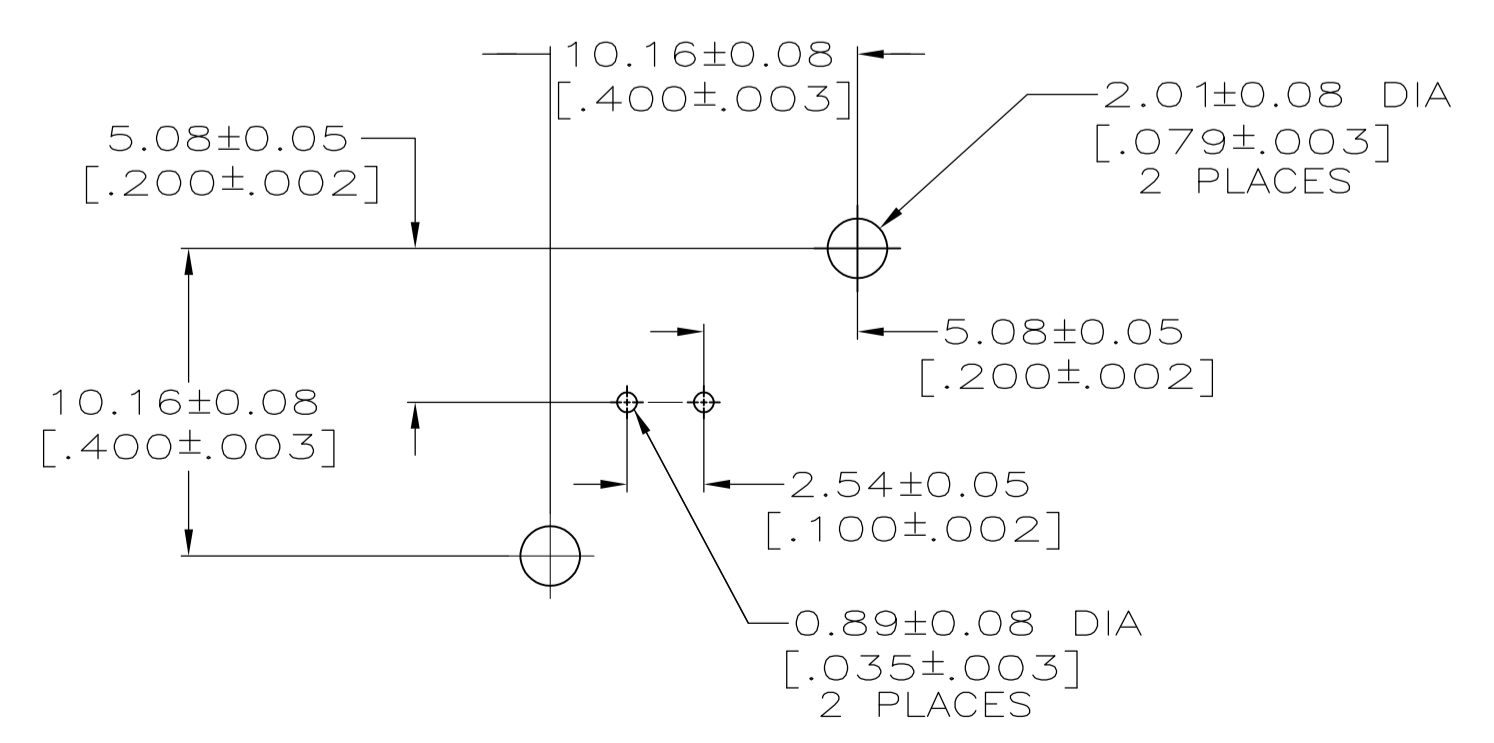
LOC	DIST	REVISIONS			
P	LTR	DESCRIPTION	DATE	DN	APVD
AJ	16	A1	REVISED PER ECO-11-005030	11MAR11	RK HMR



- 1 ZINC PER QQ-Z-363.
- 2 POLYMETHYLPENTENE, GENERAL PURPOSE.
- 3 BERYLLIUM COPPER PER QQ-C-530.
- 4 BRASS PER ASTM-B-453.
- 5 BRASS PER ASTM-B-16.
- 6 NICKEL PLATE PER QQ-N-290, 3.81 μm [.000150] MINIMUM THICK.
- 7 TIN PLATE PER ASTM-B-545, 3.81 μm [.000150] MINIMUM THICK.
- 8 GOLD PLATE PER MIL-G-45204, 0.76 μm [.000030] MINIMUM THICK.
- 9. SEE INSTRUCTION SHEET 408-2769.



RECOMMENDED PANEL CUTOUT



PCB CONFIGURATION

5222132-1
PART NUMBER

THIS DRAWING IS A CONTROLLED DOCUMENT.		DIN J. ALCORTA - 21APR2005 DOCK5 21APR2005 CJK J. HAVENER 21APR2005 APVD J. LIPPERT 21APR2005 NAME PRODUCT SPEC APPLICATION SPEC WEIGHT CUSTOMER DRAWING	TE Connectivity JACK, VERTICAL, PCB 75 OHM, SERIES BNC SIZE CAGE CODE DRAWING NO A1 00779 C=5222132 SCALE 4:1 SHEET 1 OF 1 REV A1
--	--	--	--