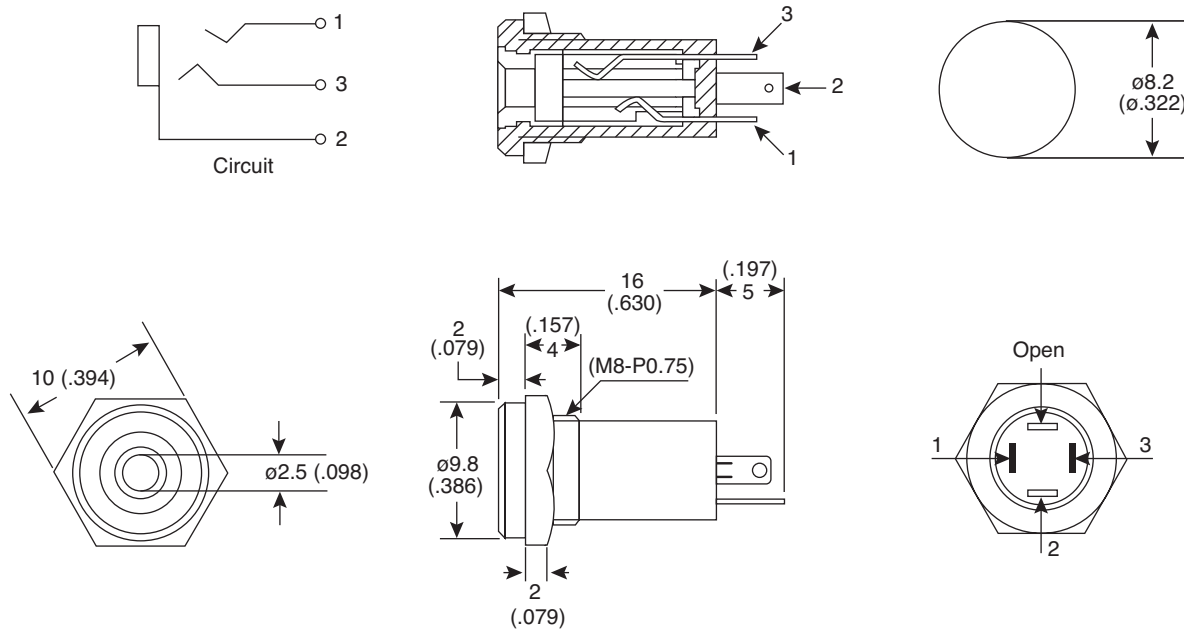


2.5mm Stereo Jack

161-7100-EX



2.5mm Stereo Jack



DIMENSIONS: mm (in.)
(except where noted)

SPECIFICATIONS	
Dielectric strength:	500V AC for one minute
Contact resistance:	50m Ω max.
Insulation resistance:	100M Ω min. at 500V DC
Contacts:	Sleeve - gold plated brass Ring - gold plated brass Tip - Ni plated brass
Mating plugs:	171-3305, 171-3306, 171-3305, 171-PA2281-2-E
	Housing Pa
	Hexnut Ni plated brass
	RoHS Compliant by Exemption

Date Last Revised: 07-05-11

Available from Mouser Electronics
1-800-346-6873 / www.mouser.com

KC-300825

161-7100-EX

Mouser Electronics

Authorized Distributor

Click to View Pricing, Inventory, Delivery & Lifecycle Information:

[Kobiconn:](#)

[161-7100-EX](#)