

### 2 mm Square Low-Profile SMT Trimmer Potentiometers (Cermet, Open Frame Type)

Type: **EVM2T**  
**EVM2N**  
**EVM2W**



2T



2N



2W

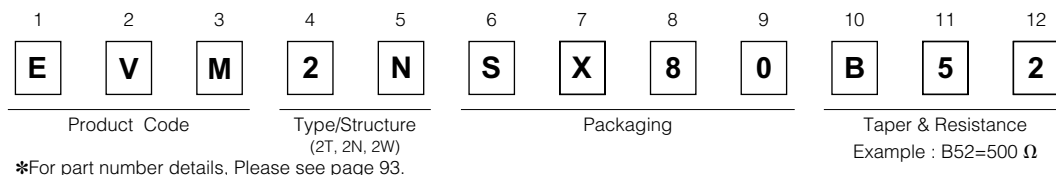
#### ■ Features

- Low-profile  
0.7 mm (0.75 mm max.) EVM2T  
0.81 mm (0.95 mm max.) EVM2N  
1.05 mm (1.2 mm max.) EVM2W
- Automatic adjustment type (EVM2W)
- High reliability realized by cermet element
- Excellent mountability
- Conforms to JIS C5260-1:1999  
RoHS compliant

#### ■ Recommended Applications

- Audio/visual, office, and communication equipment
- General electronic equipment

#### ■ Explanation of Part Numbers



#### ■ Specifications

Total Resistance Value Resistance Tolerance	100 Ω to 1 MΩ ±25 %
Power Rating Limiting Element Voltage	0.15 W 50 V
Rotation Torque	EVM2T, EVM2N : 0.5 to 10 mN·m EVM2W : 1 to 15 mN·m
Temperature Coefficient of Resistance	±250 × 10 <sup>-6</sup> /°C

#### ■ Minimum Quantity/Packing Unit


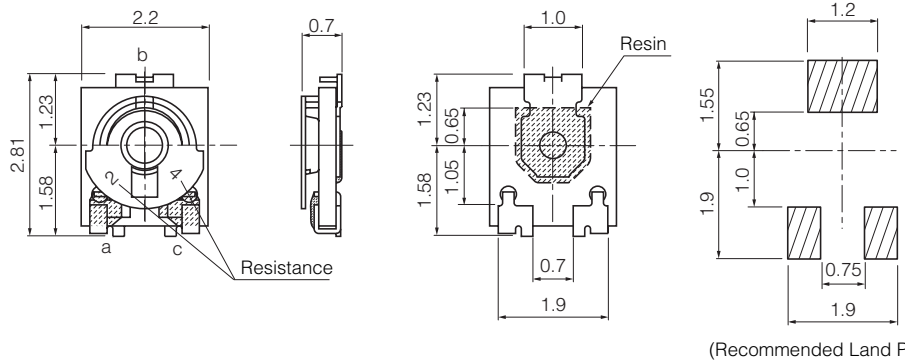
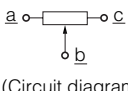
Part Number	Taping		
	Quantity per reel	Packaging quantity	Dia. of reel (mm)
EVM2T EVM2N EVM2W	3000	15000	φ178

The standard packaging methods for a reel is φ178.  
Please contact us, if you would like different packaging methods. (Bulk, Reel of φ330, Reel of φ380)


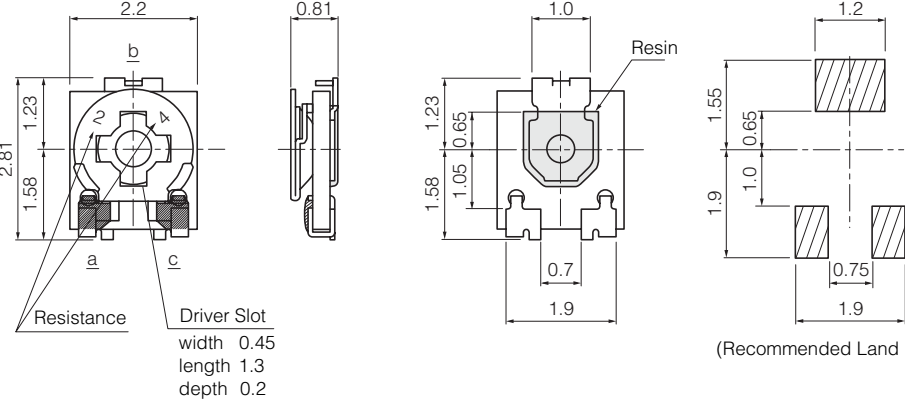
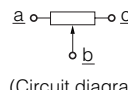
Design and specifications are each subject to change without notice. Ask factory for the current technical specifications before purchase and/or use.  
Should a safety concern arise regarding this product, please be sure to contact us immediately.

■ Dimensions in mm (not to scale)


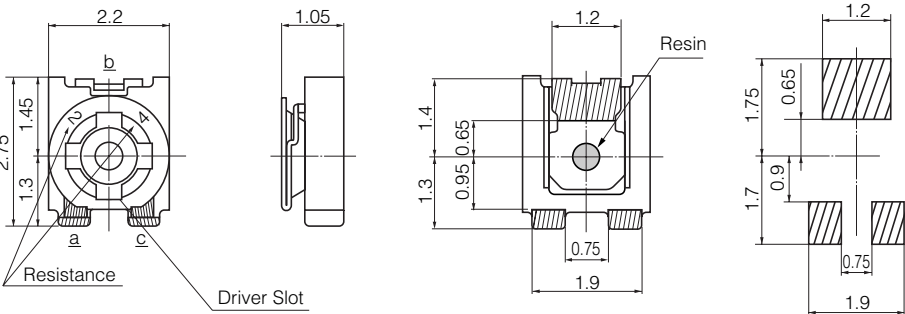
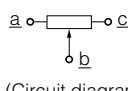
● 3-terminal/Low-profile ..... EVM2T

<p><b>No. 1</b></p> 	 <p style="text-align: center;">(Recommended Land Pattern)</p>  <p style="text-align: center;">(Circuit diagram)</p> <p style="text-align: center;"><b>Mass (Weight) : 11 mg/pc.</b></p>
---	---

● 3-terminal/Low-profile ..... EVM2N

<p><b>No. 2</b></p> 	 <p style="text-align: center;">(Recommended Land Pattern)</p>  <p style="text-align: center;">(Circuit diagram)</p> <p style="text-align: center;"><b>Mass (Weight) : 13 mg/pc.</b></p>
---	--

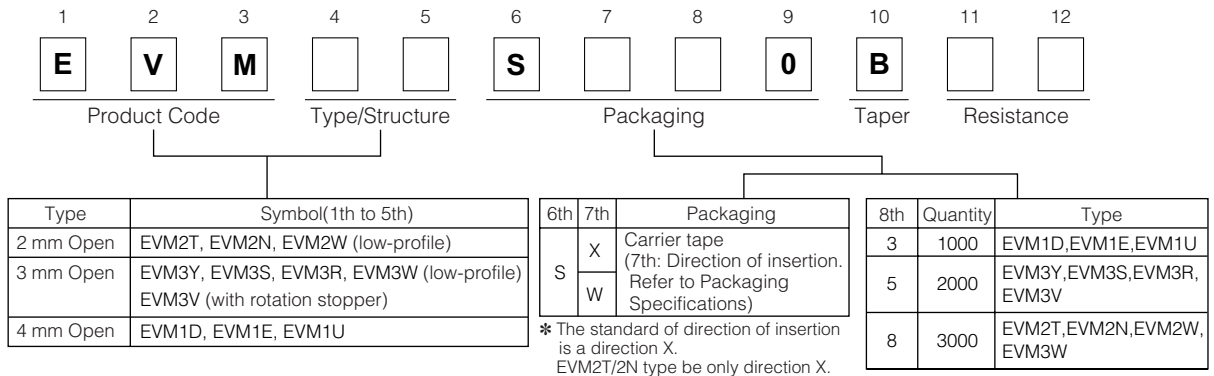
● 3-terminal, for Automatic Trimming Adjustment/Low-profile ..... EVM2W

<p><b>No. 3</b></p> 	 <p style="text-align: center;">(Recommended Land Pattern)</p>  <p style="text-align: center;">(Circuit diagram)</p> <p style="text-align: center;"><b>Mass (Weight) : 17 mg/pc.</b></p>
---	---

Design and specifications are each subject to change without notice. Ask factory for the current technical specifications before purchase and/or use.  
Should a safety concern arise regarding this product, please be sure to contact us immediately.

### ■ Explanation of Part Numbers

#### ● SMT Trimmer Potentiometers



#### ● Ceramic Trimmer Potentiometers

